

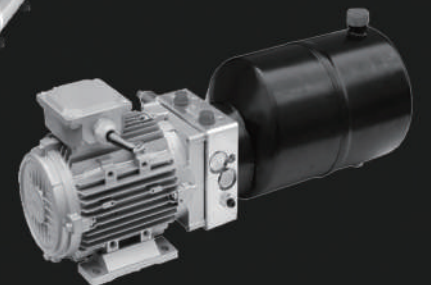
Gerreen

格林液压综合样本

Gerreen

# GREEN HYDRAULIC

TO CREAT GLOBAL ONE-STOP QUALITY  
SUPPLIER OF MACHINERY



Gerreen

常州格林液压设备制造有限公司

CHANGZHOU GREEN HYDRAULIC CO.,LTD

电话 (Tel) : 0519-85954535

电话 (Mob) : (86) 13685276555

传真 (Fax) : 0519-85954535

Wechat: (86) 13685276555

网址 (Url) : www.geliny.com

Cel/Whatsapp: (86) 13685276555

邮箱 (E-mail) : info@geliny.com

地址 (Add) : 中国江苏省常州市钟楼区新闻镇新旭路京东智能产业园西区15栋

Building 15, West Zone, Jingdong Intelligent Industrial Park, Xinxu Road, Xinzha Town, Zhonglou District, Changzhou City, Jiangsu Province, China

常州格林液压设备制造有限公司

CHANGZHOU GREEN HYDRAULIC CO., LTD

# COMPANY PROFILE

## 公司简介

让中国机械优品通往全球  
LET CHINA'S HIGH-QUALITY MACHINERY PRODUCTS REACH THE WORLD



2007

创立18年  
Founded 18 years ago

35名

研发团队  
R&D Team

10<sup>+</sup>

研发专利  
R&D Patents

### 关于我们

常州格林液压设备制造有限公司是一家专注于液压元件、液压系统、自卸车工程机械配件和农业机械配件的生产、研发、制造和销售的专业制造企业拥有18年以上的经验。2017年涉及外贸出口，始终遵循小工厂大贸易的思维理念，以人为本，重视人才。

公司高度重视产品质量，与上海大学战略合作伙伴，已通过ISO9001质量体系认证，拥有16项专利。

自格林液压成立以来，我们始终坚持客户第一、诚信共赢的经营理念汇聚了机械领域的精英。公司的核心价值观是：客户第一、诚信共赢、天道酬勤、团结合作、分享利他；基于我公司的核心价值观，我司稳步发展，为全球机械行业增砖添瓦。

### ABOUT US

Changzhou Green Hydraulic Co., Ltd. is a professional manufacturer focusing on the production, research and development, manufacturing and sales of hydraulic components, hydraulic systems, dump truck parts and agricultural machinery parts with more than 18 years of experience. In 2017, it was involved in foreign trade exports, always following the thinking concept of small factories and big trade, people-oriented, and valuing talents.

The company attaches great importance to product quality and has established a strategic partnership with Shanghai University. It has passed the ISO9001 quality system certification and has 16 patents. Since Green Hydraulic was founded, we have always adhered to the business philosophy of customer first, integrity and win-win, and have brought together elites in the field of machinery. The company's core values are: customer first, integrity and win-win, God rewards hard work, unity and cooperation, sharing and altruism; Based on our company's core values, our company has developed steadily and contributed to the global machinery industry.



办公区/Office



重要仪式/Important Ceremony



休闲区/Recreation Centre



生产中心/Production Center



装配中心/Assembly Center



备货区/Stocking Center

公司区域规划

Company Area Planning



# CORPORATE CULTURE

## 企业文化

### 企业愿景 VISION

让中国机械优品通往全球

LET CHINA'S HIGH-QUALITY MACHINERY PRODUCTS REACH THE WORLD

### 企业使命 MISSION

打造机械领域，全球一站式优质供应商，为了实现全体员工的物质和精神双方面幸福，为了人类社会的进步而努力奋斗。

TO BUILD A GLOBAL ONE-STOP HIGH-QUALITY SUPPLIER IN THE FIELD OF MACHINERY, TO ACHIEVE THE MATERIAL AND SPIRITUAL HAPPINESS OF ALL EMPLOYEES, AND TO STRIVE FOR THE PROGRESS OF HUMAN SOCIETY.

### 企业价值观 VALUES

#### • 客户第一

CUSTOMER FIRST

#### • 诚信共赢

INTEGRITY AND WIN-WIN

#### • 天道酬勤

GOD REWARDS HARD WORK

#### • 团队合作

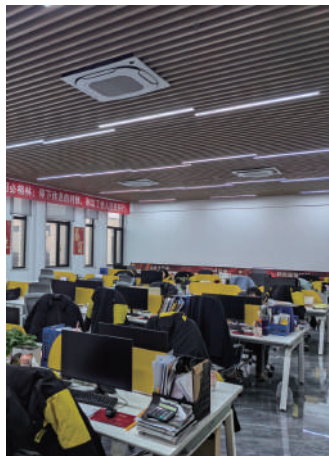
UNITY AND COOPERATION

#### • 分享利他

SHARE ALTRUISM

# COMPANY ENVIRONMENT

## 公司环境



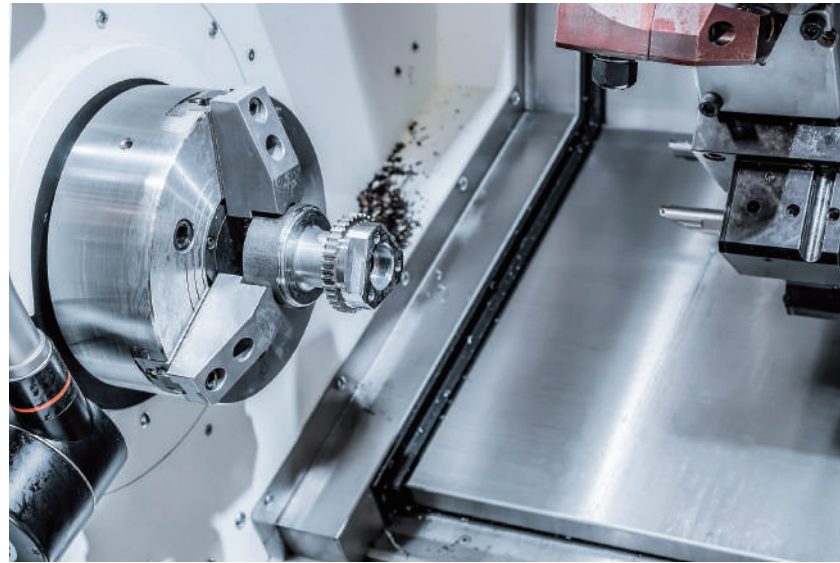
# CORPORATE SHOWROOM

## 公司展厅



# MANUFACTURING EQUIPMENT

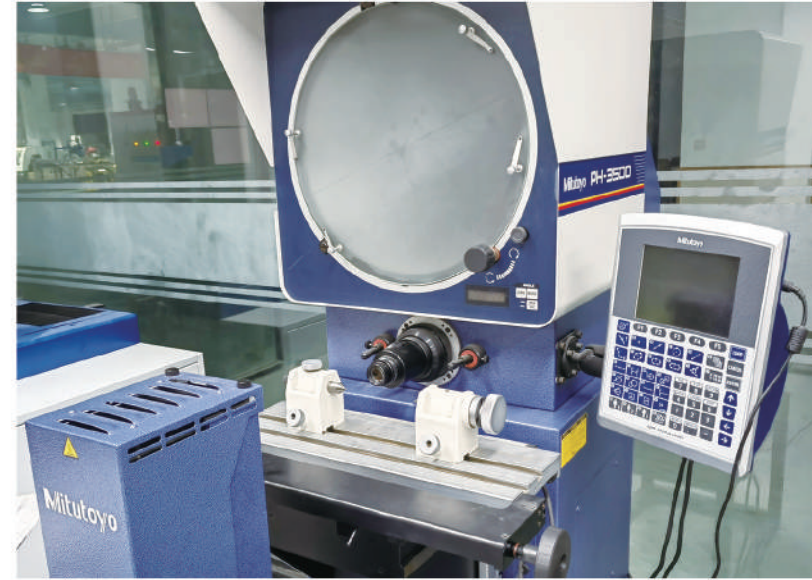
## 生产设备



◎ 数控车铣加工中心 / CNC Center and Milling Center

# INSPECTION EQUIPMENT

## 检验设备



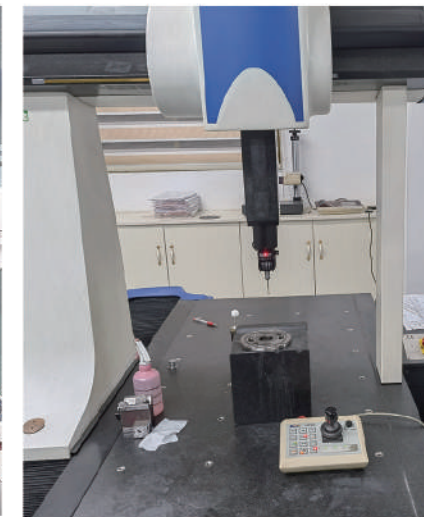
◎ 圆跳动 / Round Beat



◎ 数显洛氏硬度计  
Digital Rockwell Hardness Tester



◎ 外圆检测仪 / Outer Circle Detector



◎ 三坐标仪 / CMM

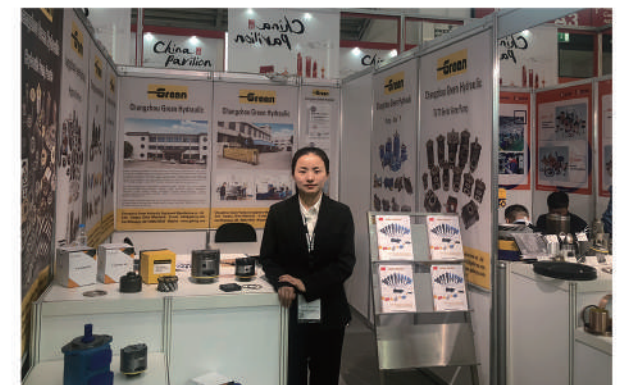
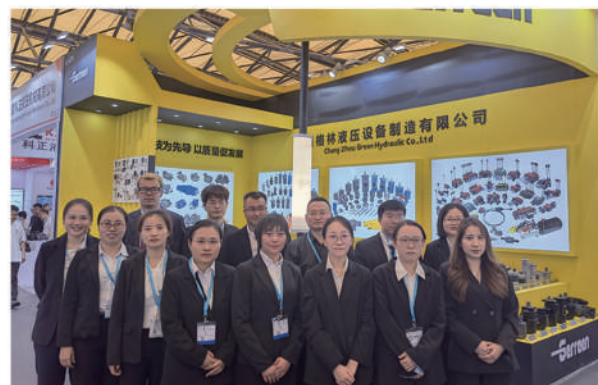
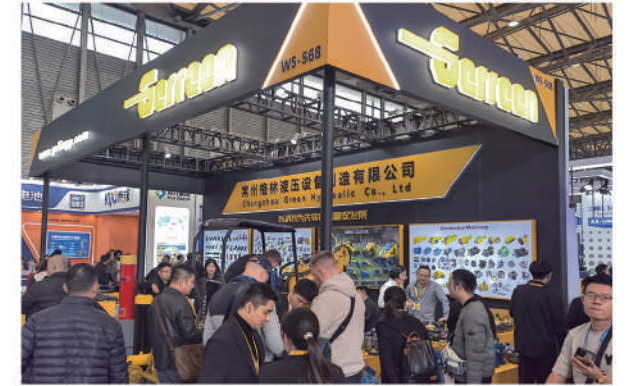
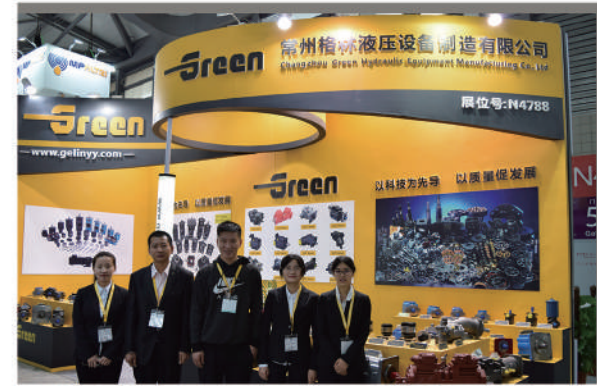


◎ 粗糙度仪器 / Roughness Instrument



# COMPANY EXHIBITION

## 公司展会

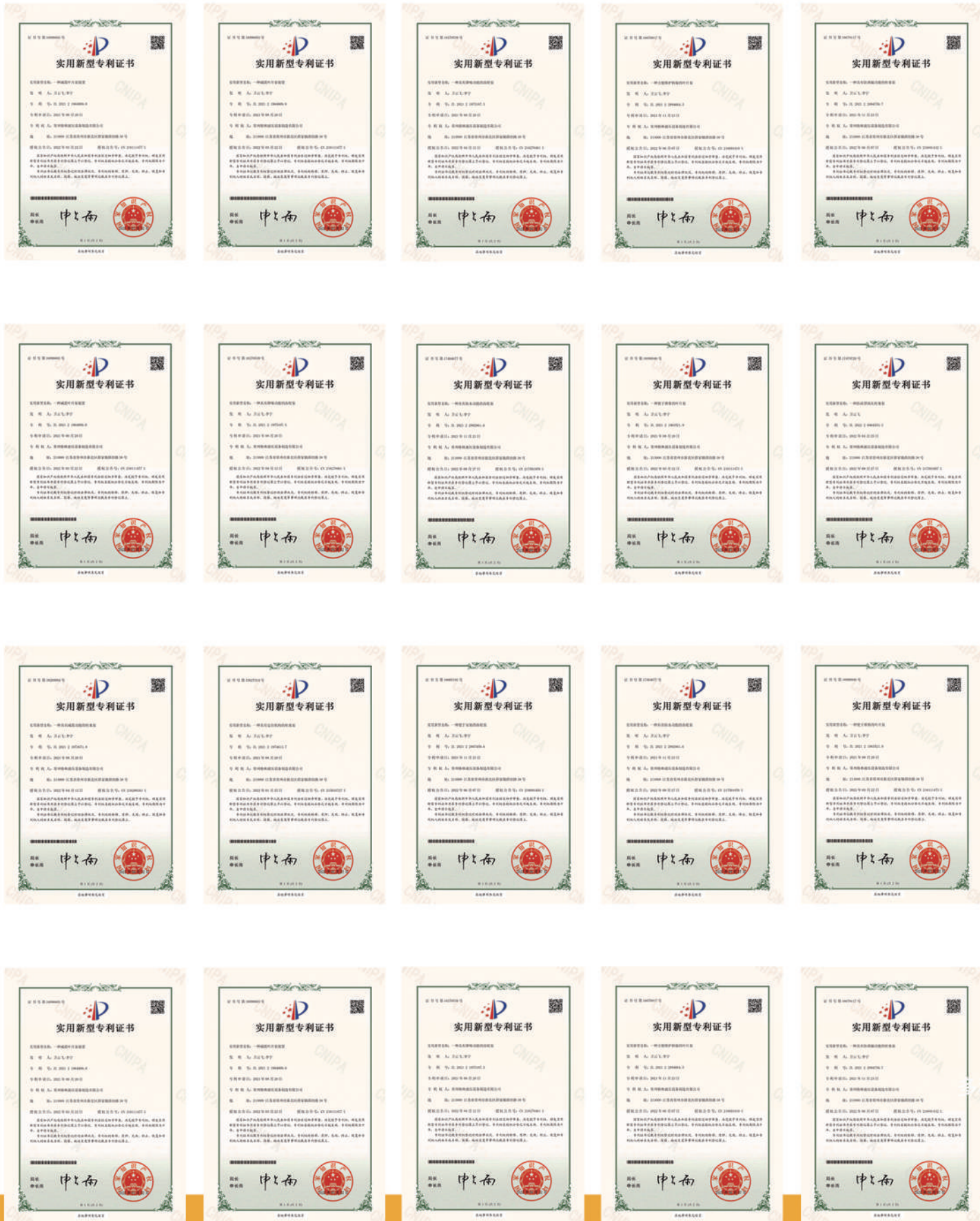


# COMPANY EXHIBITION

## 公司展会

# HONORARY QUALIFICATIONS

## 荣誉资质



# AUTHORITATIVE CERTIFICATION

## 权威认证



## ■ PUMP PARTS/泵配件



## ■ PRODUCT LIST/产品目录

Brand	Type
Rexroth	A2F(0)10/12/16/23/28/32/45/56/63/80/90/107/125/160/180/200/250/500/1000
	A4VG28/40/45/50/56/71/90/125/140/180/250 A4VSO40/45/71/125/180/250/355/500
	A6V55/80/107/160/200/225/250 A6VM160/200/500/A6VE160
	A7V16/28/55/80/107/160/200/225/250/355/500 A8V(0)55/80/107/140/160/200
	A10VSO28/45/52/63/71/85/100/140 A10VD(VG)17/18/25/36
A11V40/60/75/95/200/250/260 AP2D12/16/21/18/25/36	
Caterpillar	CAT12G/14G/16G/120/215/245/312C/325C/330B/330C/385H
	AP-12/14 SPK10/10 SBS80/140
Komastu	HPV35/55/90/95/132/135/160/200-8
	PC30UU/40-8/50/60/120/200-3/200-5/200-6/300-7/320/400-6/650/1250 etc
Liebherr	LPVD45/65/75/90/100/125/140/250/260
Linde	HPV55T/080/HPR75/100/105/130/135/160/HMR135 B2PV35/50/75/105/140
	BPV35/50/70/100 BPR140/186/260 BMF50/75/105 BMV75.27
Eaton-vickers	PVB5/6/10/15/20/29/90/110 PVQ10-45 PVH45/57/74/81/98/106/131/141
	PVE19/21/TA19 ADU041/049/062
Parker	VOLVO/F11-005/010/020/28/39/58/150/250 F12-060/080/090/110-MF-1
	PVXS130/180/250/PVX0250/PV180/250/PVL250Parker2145/270/23/P2075/P2105/P2060
	PAVC38/65/100 PVT38/PVT64 SH5V/131
Kawaski	K3V63/112/140/180/280 S/DT/DTP/DTH K5V80/140/160/200 S/DT/DP/DTH/DPH/SH
	K3VG(VL)45~280(DT) K4V45/112 K3SP36C NV45/64/111/137/172/270
	KVC925/930/932 NX15/NVK45 MAG150/170 MX50/150/170/173
	M2X55/63/96/120/146/150/170/210 M5X130/160/180 LZV30/120/LVW060
	PV18/20/21/22/23/24/25/26/27/29 PV90-030/050/075/100/130/180/250
Danfoss	MF16A/035/500 MPV046/M46/MPR63/MPV45 SPV14/15/18 MMF025C
	BRL100 MPT044/M44 HRRO57
	PVB-2B-32L/34L/36L/38/40/42/63/505 PVD45 YC35-6/PCL-200-18B
Nachi	PZ-2B-35/2B-45/3B-70/4B-100/5B-130/6B-180/6B-220
	PZS-3B-70/4B-100/5B-130/6B-180/6B-220 PVS-0B-B/1B-16/1B-22/1B-35/1B-45
	Swing PCR-1B/2B/3B/4B/5B Travel PHV-1B/2B/3B/4B/5B
JIC	JMV-44/22 35/34 64 147/95 155
Hitachi	HPV050/080/091/102/116/118/125/145 ZX120-6/120/200-3/270/330-2
	EX60-2/120-2/200-2/200-5/300-2
Kobelco	SK200-1/3/6 250-8320430etc
Nabtescc	GM05VL/05VA/06VL/07VA/08/09/10/17/18/21/23/30H/35VA/35VL/38VB
	PSV-10/-16/2-10/2-16 PSVD2-13E/W-17E/2-21E/2-27E PSVL-42/-54
Kayaba	MSF-18/-23 MAG-12V-120E/18V-230F/33V-550F/170VP-3800G/18VP-220 etc.
	MSG-27P-10E/27P-16E/27P-23E/50P-21
Toshiba	PCV65R/80R/90R/110 RPBV92 SG02/025/04/08/12/20
Tokiwa	MKV23/MKV33
Hawe	V30D45/95/145/250 V60
Tadano	Tadano 100/150
Yuken	A16/A22/A37/A45/A56/A70/A90/A145
Harvester	HPVMF23(T23C)/HPVMF23.7/T28C/T30C/T37C
Oilgear	PVM-018/02B PVG130
Brevini	ED2090/2150/2250
Bonfiglioli	BFL309/310/311
Dinamic	RE1022/RE1023
Yuken	DG-01 BG-03/06/10 S-BSG-03/06/10 DSG-01/03 DSHG-04/06/10
	CIT/CGR-03/06/10 CPG-03/06/10 RG-03/06/10 SRG3/06/10 EFBG-03/06
	FG-01/02/03/06 ED-01 EBG-03/06/10 MBP/MSW/MPW-01/03/04/06



### PISTON PUMP/柱塞泵



### VANE PUMP/叶片泵



### PISTON PUMP PARTS/柱塞泵配件



### GEAR PUMP/齿轮泵



### ■ HYDRAULIC VALVE/液压阀



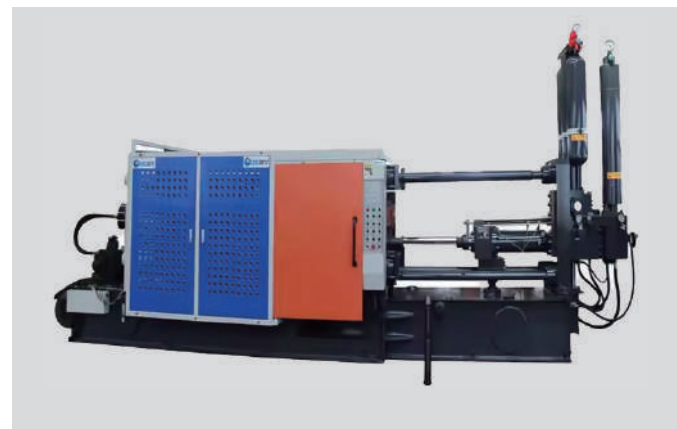
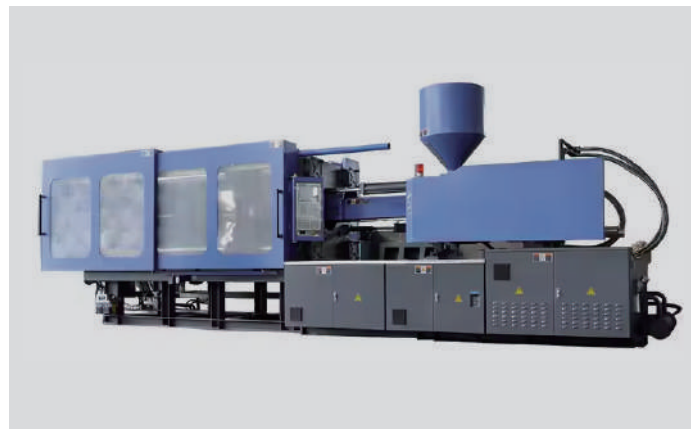
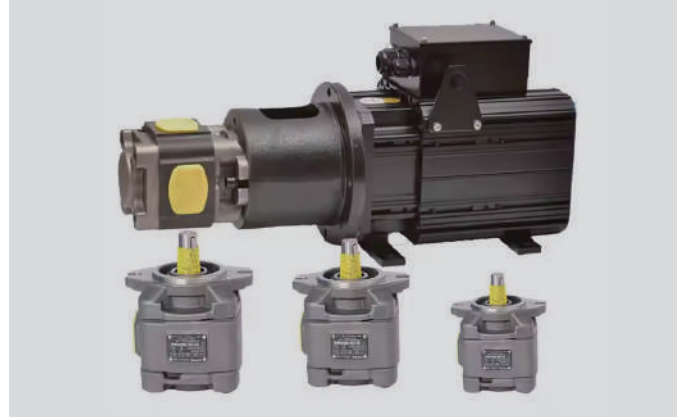
### ■ HYDRAULIC COMPONENTS/液压元件



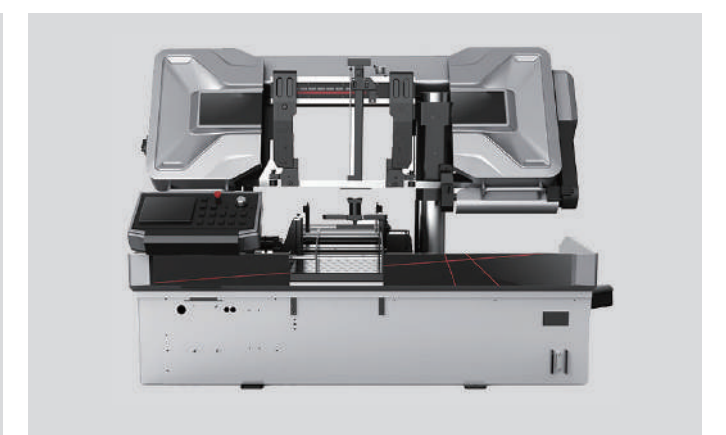
### ■ MOTOR/马达



## SERVO SYSTEM/伺服系统



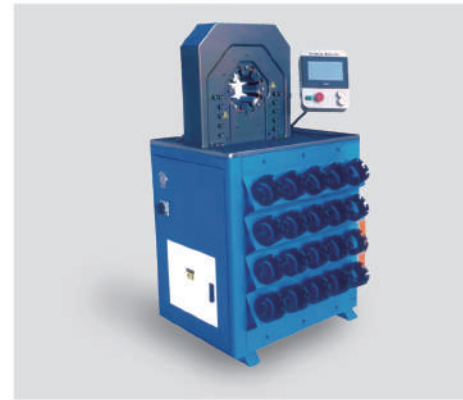
## OTHER COMPONENTS/其他元件



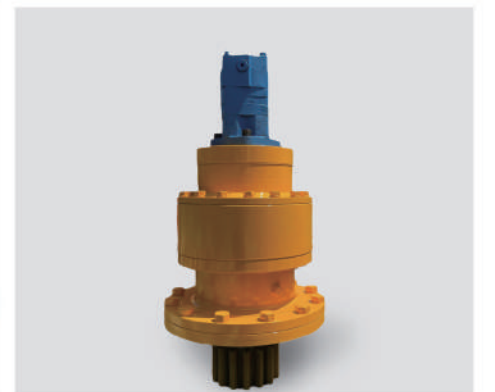
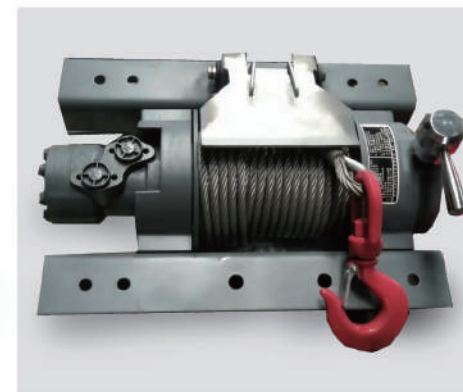
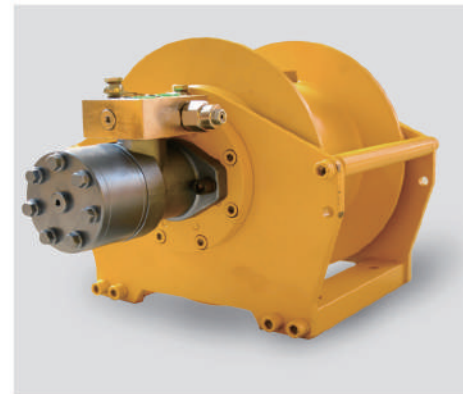
### ■ HYDRAULIC COMPONENTS/液压元件



### ■ CRIMPING MACHINE/扣管机



### ■ WINCH/绞盘





## D. 齿轮泵

1.VG系列齿轮泵/Series Gear Pump	297
2.NCB系列齿轮泵/Series Gear Pump	317
3.QT系列齿轮泵/Series Gear Pump	355
4.SPG1齿轮泵/Series Gear Pump	368
5.SPG2齿轮泵/Series Gear Pump	371
6.KZP4/KRP4齿轮泵/Series Gear Pump	374
7.DSG06齿轮泵/Series Gear Pump	376
8.CBN-300齿轮泵/Series Gear Pump	377
9.CBN-G300齿轮泵/Series Gear Pump	378
10.CBT-F300 齿轮泵/Series Gear Pump	380
11.CBW-F300齿轮泵/Series Gear Pump	381
12.CBS-D300齿轮泵/Series Gear Pump	383
13.CBTS-F300齿轮泵/Series Gear Pump	384
14.CBD-F300齿轮泵/Series Gear Pump	385
15.CBS/F-D300204齿轮泵/Series Gear Pump	386
16.HGP-1A齿轮泵/Series Gear Pump	387
17.HGP-2A齿轮泵/Series Gear Pump	388
18.HGP-3A齿轮泵/Series Gear Pump	389
19.HGP-4A齿轮泵/Series Gear Pump	390
20.GBY-F齿轮泵/Series Gear Pump	391
21.GBF-F400齿轮泵/Series Gear Pump	393
22.GBT-F400齿轮泵/Series Gear Pump	394
23.GBHC-F齿轮泵/Series Gear Pump	395
24.GBHZ-F齿轮泵/Series Gear Pump	396
25.GBHZA-F齿轮泵/Series Gear Pump	397
26.RGP-F100齿轮泵/Series Gear Pump	398
27.RGP-F200齿轮泵/Series Gear Pump	399
28.RGP-F300齿轮泵/Series Gear Pump	400
29.RGP-F400齿轮泵/Series Gear Pump	401
30.RGP-2A-F齿轮泵/Series Gear Pump	402
31.CBK-F100齿轮泵/Series Gear Pump	403
32.CBK-F1000齿轮泵/Series Gear Pump	404
33.CBW-F200齿轮泵/Series Gear Pump	405
34.CBD1-F200齿轮泵/Series Gear Pump	406
35.CBD2-F200齿轮泵/Series Gear Pump	408
36.CBQ-F500齿轮泵/Series Gear Pump	409
37.CBT-F500齿轮泵/Series Gear Pump	410
38.CBY-2000齿轮泵/Series Gear Pump	411
39.2GG系列齿轮泵/Series Gear Pump	413
40.1GG系列齿轮泵/Series Gear Pump	414
41.GHP1齿轮泵/Series Gear Pump	415
42.GHP2齿轮泵/Series Gear Pump	417
43.1AG齿轮泵/Series Gear Pump	421
44.ALP1齿轮泵/Series Gear Pump	423
45.ALP2齿轮泵/Series Gear Pump	424



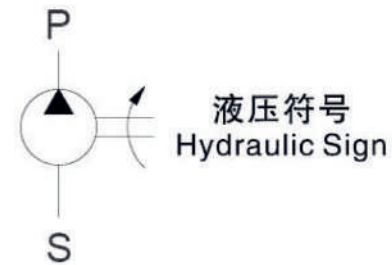
**Serreen** HYDRAULIC MANUFACTURE

QUALITY PRODUCT SPREAD TO THE WORLD  
TO CREAT GLOBAL ONE-STOP QUALITY SUPPLIER OF MACHINERY

**格林液压**

# VG系列齿轮泵

VG Series Gear Pump



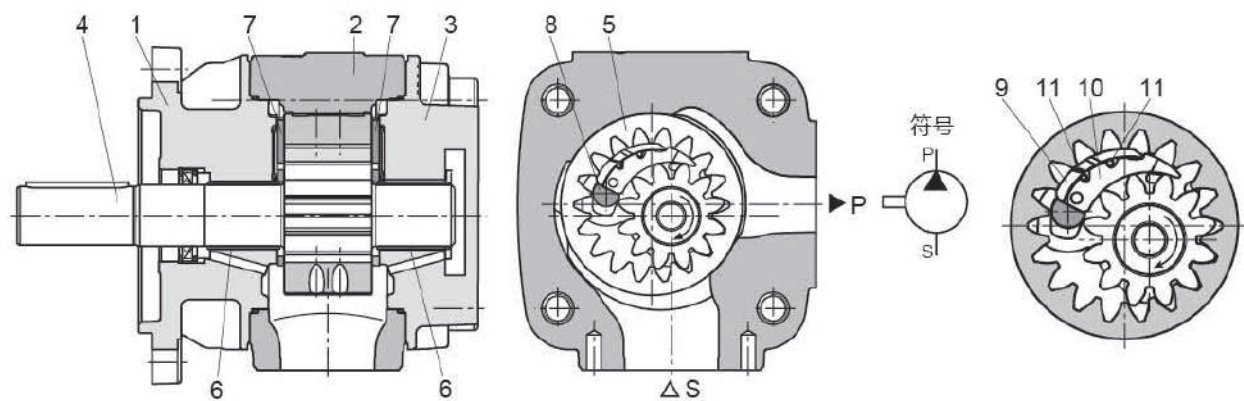
## 内啮合齿轮泵原理图/Principle Diagram of Gear Pump

VG 型液压泵是具有固定排量的间隙补偿内啮合齿轮泵。

其基本构成是:安装前盖(1), 泵体 (2), 后盖(3), 外齿轴(4), 内齿圈(5), 滑动轴承 (6), 配油盘(7)和定位杆 (8), 以及由月牙副板(9), 月牙主板(10)和密封棒(11)组成

The VG hydraulic pump is a backlash compensation internal gear pump with a fixed displacement.

Its basic structure is: install front cover (1), pump body (2), rear cover (3), outer gear shaft (4), inner gear ring (5), sliding bearing(6), oil distribution plate (7) And positioning rod (8), and consist of crescent sub-board (9), crescent main board (10) and sealingrod (11)



## 吸油和排油过程/Suction and spiling process

根据流体动力学安装的外齿轴(4)按所示旋转方向传动内齿圈(5)。

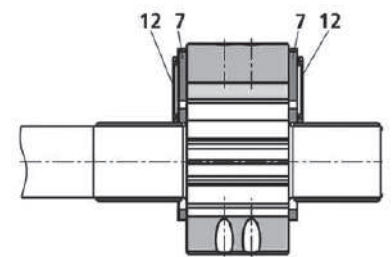
通过在吸油区域中打开的齿侧间隙来加注油液。油液通过外齿轴和内齿圈之间的齿侧间隙从吸油区域(S)输送到压力区域(P)由此, 油液从闭合的齿侧间隙排出并输送到压力油口(P)。吸油区域和排放区域由径向补偿元件(9至 11)以及内齿圈和外齿圈之间的齿轮啮合分隔开。

The external gear shaft (4) installed according to fluid dynamics drives the internal gear ring (5) in the direction of rotation shown. The oil is transported from the oil suction area (S) to the pressure area (P) through the side clearance between the outer gear shaft and the inner gear ring. As a result, the oil is discharged from the closed tooth gap and delivered to the pressure oil port (P). The oil suction area and the discharge area are separated by the radial compensation element (9 to 11) and the gear mesh between the inner ring gear and the outer gear.

## 轴向补偿结构/Axial compensation

压力区域中的排放室由配油盘(7)进行轴向密封。配油盘对排放区域的一侧受压力场(12)的背压。这些压力场使配油盘与排放区域达到平衡, 从而以较低的机械损失实现理想的密封效果。

The discharge chamber in the pressure zone is axially sealed by the oil distribution plate (7). The oil distribution plate faces away from the discharge area one side is back pressured by the pressure field (12). These pressure fields make the oil distribution plate and the discharge area reach a balance, from the ideal sealing effect is achieved with lower mechanical loss.



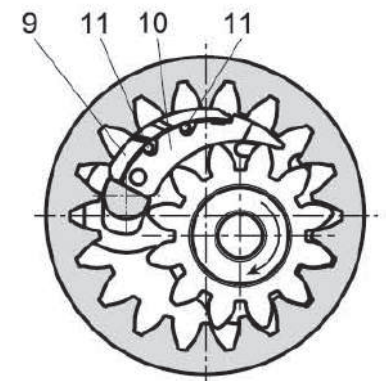
## 径向补偿结构/Radial compensation

径向补偿元件包括月牙副板(9), 月牙主板(10)和密封棒(11)。其中月牙主板(10)紧贴外齿轴齿顶圆曲面, 月牙副板(9)紧贴内齿圈齿顶圆曲面, 定位杆用来限制月牙板圆周方向的运动。

这样可通过自动间隙调整将压力区域与吸油区域分隔开。这是在整个工作时间内持续保持高容积效率的先决条件。

The radial compensation element includes a crescent sub-plate (9), a crescent main plate (10) and a sealing rod (11). The crescent main plate (10) is closely attached to the round surface of the tooth tip of the outer gear shaft, the crescent sub-plate (9) is closely attached to the round surface of the tooth tip of the inner gear ring, and the positioning rod is used to restrict the movement of the crescent plate in the circumferential direction.

In this way, the pressure zone can be separated from the suction zone by automatic clearance adjustment. This is a prerequisite for maintaining high volumetric efficiency continuously throughout the working hours.



## 啮合 /Toothing

渐开线齿边的啮合具有用于较低流量和压力脉动的长啮合长度, 因此可确保低噪音运行。

The toothing with involute flanks features a long meshing length for low flow and pressure pulsation and therefore ensures low noise operation.

### 技术参数

技术数据(使用时如果超出了规定的技术参数的范围, 请务必向威克斯公司咨询!)  
Technica data (if using is beyond the scope of the specified technical parameters, please be sure to consult Nvicks!)

#### 概述/Overview

设计 Design	内啮合齿轮泵, 间隙补偿 Internal gear pump, clearance compensation
连接型式 Connection type	符合 ISO 3019-1 的 SAE 2 标准的孔法兰 SAE 2 standard flanges to ISO 3019-1
管路连接 Pipeline connection	法兰油口 Oil Flange
轴负载 Shaft load	仅调整后的径向力和轴向力(例如皮带轮) Radial and axial forces only after adjustment (e.g., pulley)
旋转方向(从轴端查看) Rotation direction (viewed from shaft end)	顺时针或逆时针(应要求提供)-并非双向旋转! Clockwise or counterclockwise (available on request)- not bidirectional!

#### 液压/Hydraulic

液压油 Hydraulic oil	HLP-符合 DIN 51524 第2部分的矿物油 HFC-符合 DIN EN ISO 12922(12)的水性聚合物溶液:密封设计 W HEES-符合 DIN ISO 15380(1)的液压油 HFD-U-符合 VDMA 243171, DIN EN ISO 12922”的液压油 HLP-Mineral oil conforming to DIN 51524 Part 2 HFC- Waterborne polymer solutions in accordance with DIN EN ISO 12922 <sup>(1)(2)</sup> : Sealing design W HEES- Hydraulic oils according to DIN ISO 15380 " HFD-U- Hydraulic fluid in accordance with VDMA 24317' DIN EN ISO 12922 "	
液压油 Hydraulic oil	HLP 液压油°C hydraulic oil	-10 至 +80:有关其它温度, 请向我们咨询! -10 to + 80; For other temperature, please consult us!
	特殊液压油°C Special hydraulic oil	-10 至 +50:有关其它温度, 请向我们咨询! -10 to 50 +; For other temperatures, please consult us
环境温度范围°C Ambient temperature range	-20至+60 -20 to +60	
粘度范围 mm <sup>2</sup> /s Viscosity range	10至300(至n=1800 min <sup>-1</sup> ) 10至100(至n=3000 min <sup>-1</sup> ) 2000 允许的启动粘度(400至1800 min <sup>-1</sup> ) 10to 300(ton=1800 min <sup>-1</sup> ) 10 to 100(to n= 3000 min <sup>-1</sup> ) 2000 Allowable starting viscosity(400 to 1800 min <sup>-1</sup> )	
液压油最大允许污染度符合 ISO 4406(c) 的清洁度等级 The maximum allowable contaminati on of hydraulic oil is in line with ISO Cleanliness grade of 4406 (c)		

- 1)注意!  
对于这些介质, 针对特殊液压油的限制可以适用  
2)液压油 HFC:输入速度n最大=2000 min  
3)在液压系统中必须遵循规定的组件清洁度等级。  
有效过滤能够避免发生故障, 同时还可延长组件使用寿命。

- 1.Attention  
For these media, restrictions on specific hydraulic oils may apply  
2.Hydraulic oil HFC: input speed n maximum =2000 min  
3. The specified component cleanliness level must be followed in the hydraulic system. Effective filtration can avoid failures and extend the service life of the components.

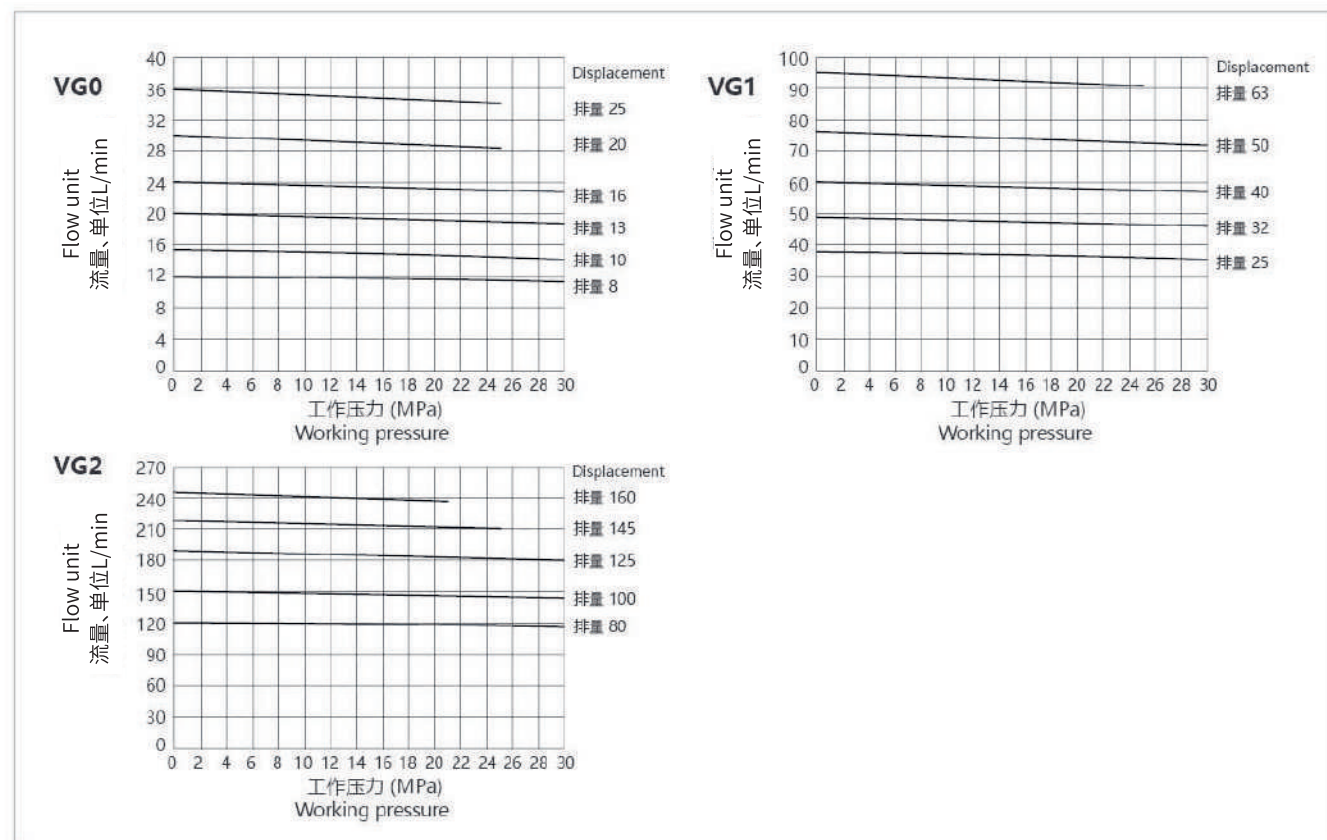
### 型号说明/Model Designation

VG1	-63	R	E	W	-A1
系列号 Series	排量 ml/r Displacement	旋转方向 Rotation	轴伸形式 Shaft type	密封材料 Sealing material	设计号 Design number
VG0	8、10、13、16、20、25、28	从泵轴端看 Views form shaft end of pump	E=平键轴 Straight key shaft	W=丁腈橡胶 NBR	A1
VG1	25、32、40、50、63、50H、63H	R=顺时针旋转 Right hand for clockwise	R=SAE 花键轴 Spline shaft	V=氟橡胶 FKM	
VG2	80、100、125、145、160	L=逆时针旋转 Left hand for counterclockwise			

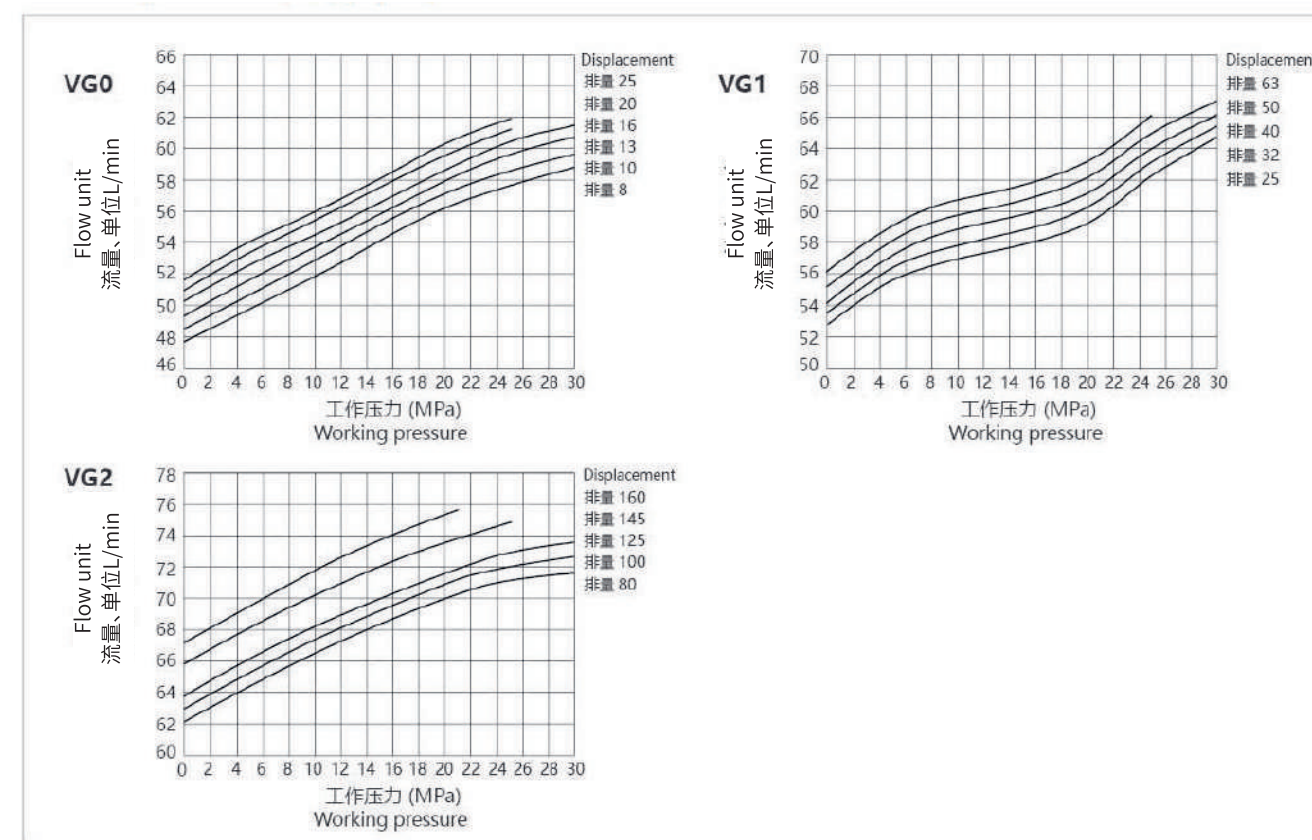
### 技术参数

系列号 Series	排量 ml/r Displacement	理论排量 ml/r Theory Displacement	额定压力 Mpa Rated Pressure	最高压力 Mpa Max.pressure	最高转速 r/min Max.speed	重量 kg Weight
VG0	8	8.2	31.5	35	3000	4.6
	10	10.2				4.8
	13	13.3				4.9
	16	16	5.2			
	20	20	5.6			
	25	24	6.0			
VG1	28	27	25	30	3000	6.4
	25	25.3				14.5
	32	32.7	31.5	35		15
	40	40.1				16
	50	50.7				17
53	63.7	25	30	18.5		
VG2	80	81.4	31.5	35	3000	43.5
	100	100.2				45.5
	125	125.3				48
	145	145.2	25	28		50
	160	162.8	21	26		52

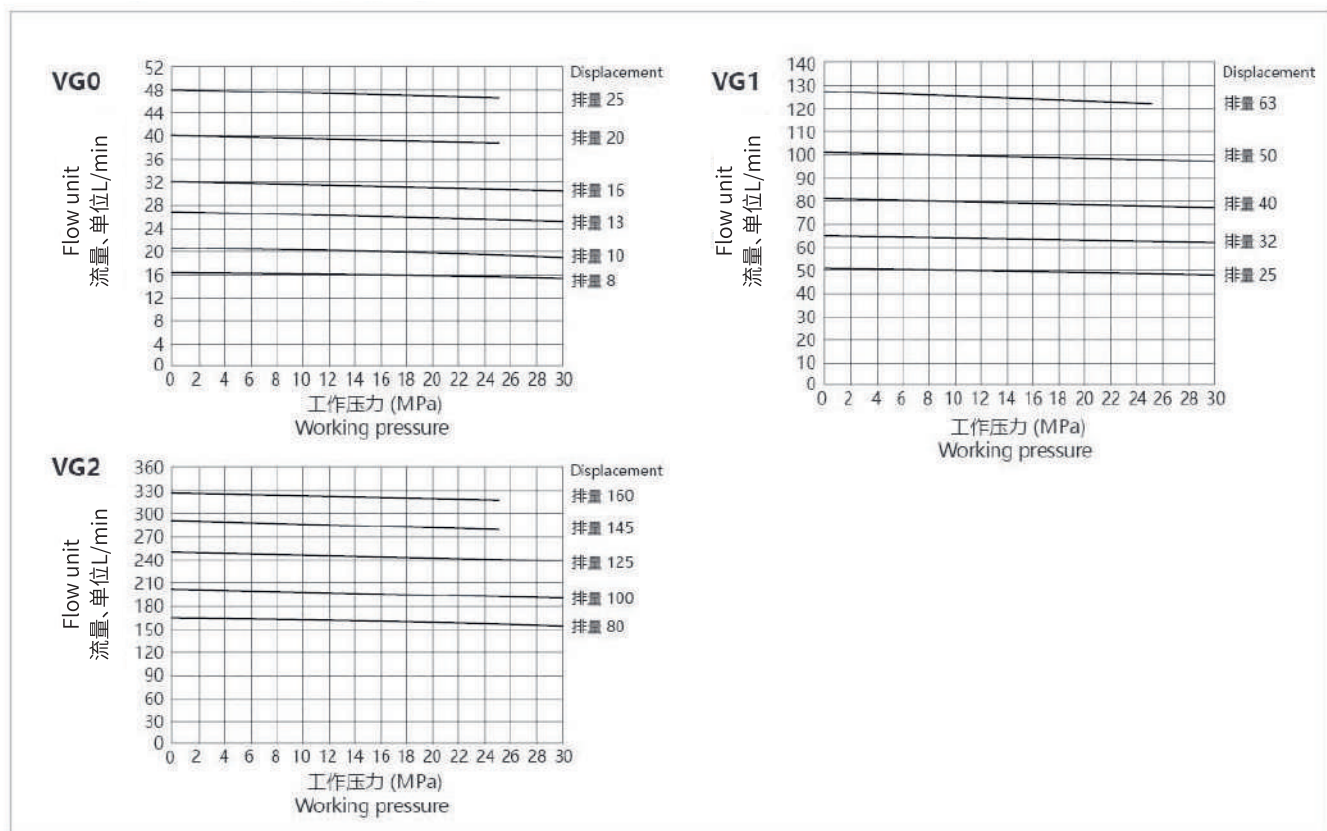
1500r/min 特性曲线/Characteristic curve



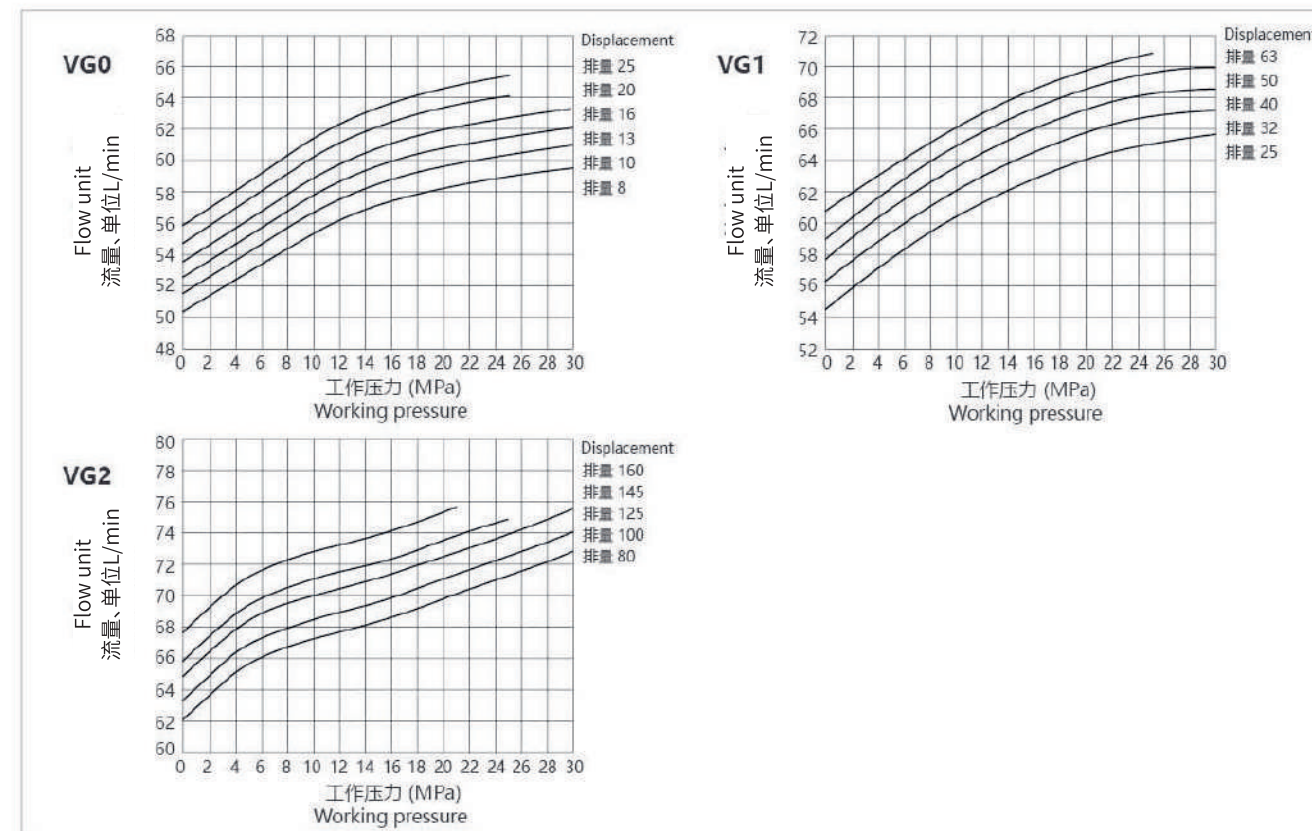
1500r/min 特性曲线/Characteristic curve



2000r/min 特性曲线/Characteristic curve



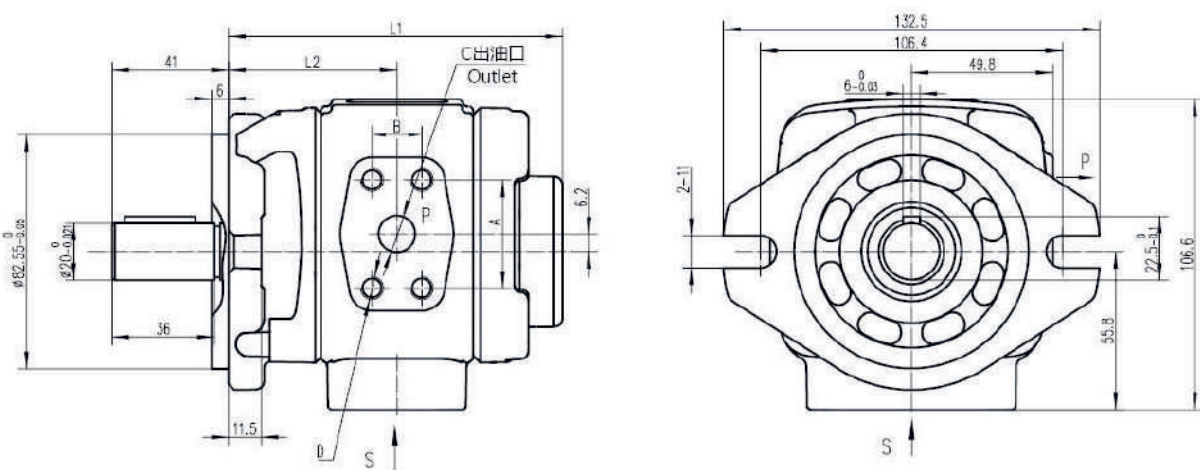
2000r/min 噪音曲线/Noise curve



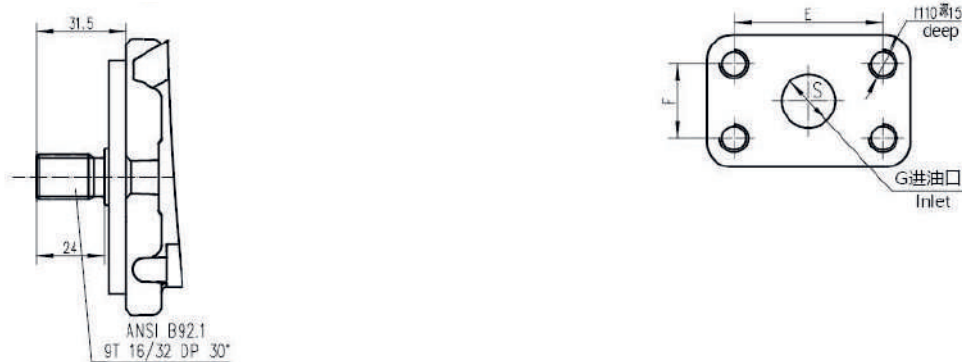
VG0安装连接尺寸/Installation Dimensions

VG1安装连接尺寸/Installation Dimensions

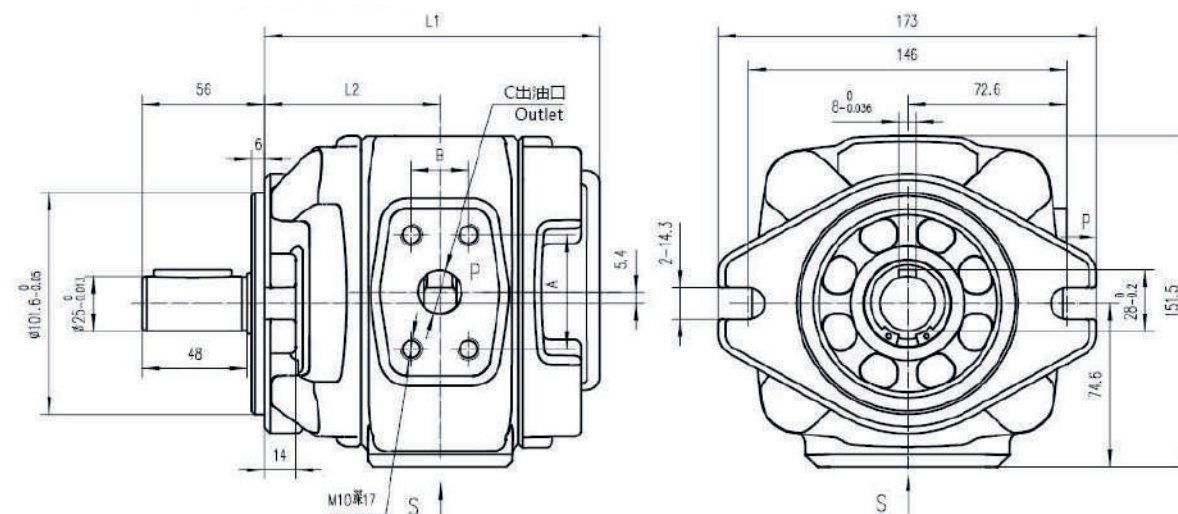
E型平键轴 Keyed shaft



R型花键轴 Spline shaft



E型平键轴 Keyed shaft



R型花键轴 Spline shaft

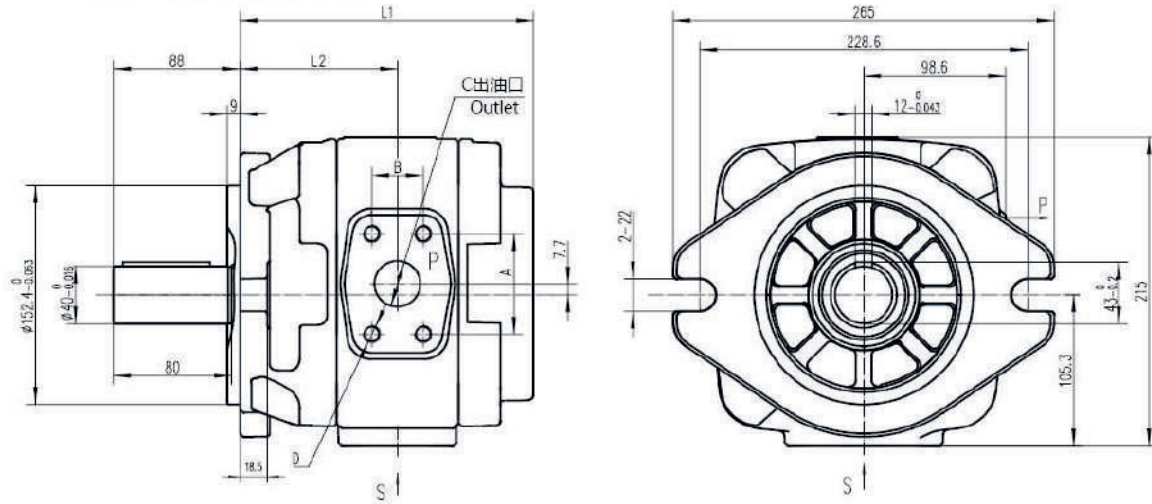


产品型号 Model	L1	L2	A	B	C	D	E	F	G	
VG0-08	107	54	38.1	17.5	φ13	M8 Depth 13	47.6	22.2	φ19	
VG0-10	111	56					52.4	26.2		
VG0-13	117.5	59.25					52.4	26.2		
VG0-16	123	62	47.6	22.2	φ18	M10 Depth 15	58.7	30.2	φ26	
VG0-20	131	66							φ19	φ28
VG0-25	139	70							φ19	φ28
VG0-28	145	73								

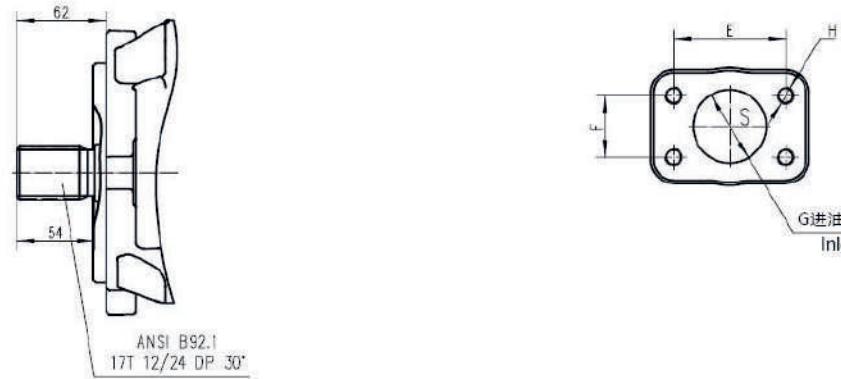
产品型号 Model	L1	L2	A	B	C
VG1-25	139	73	47.6	22.2	φ18
VG1-32	146	76.5			φ20
VG1-40	153	80	52.4	26.2	φ20
VG1-50	163	85			
VG1-63	177	92			
VG1-50H	163	85			
VG163H	177	92			

VG1安装连接尺寸/Installation Dimensions

E型平键轴 Keyed shaft

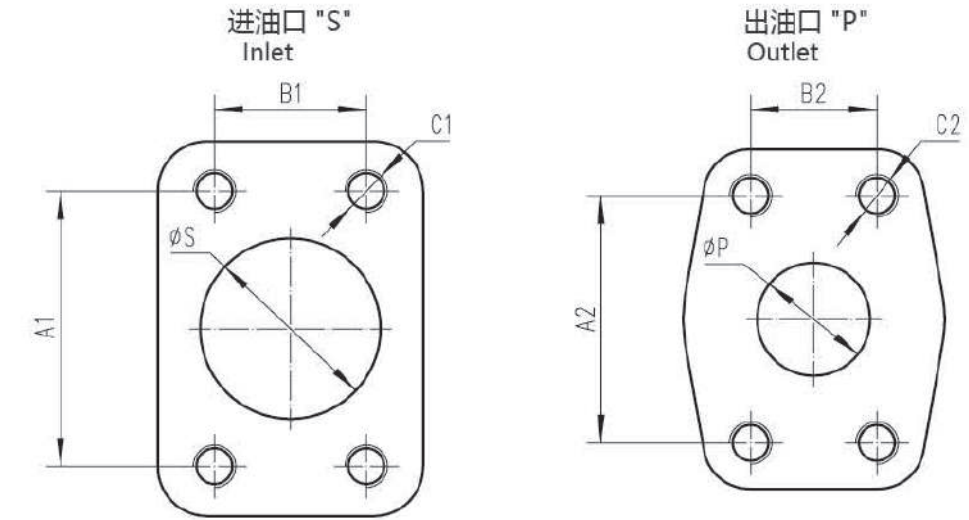


R型花键轴 Spline shaft



产品型号 Model	L1	L2	A	B	C	D	E	F	G	H
VG2-80	204	109.5	69.9	35.7	φ32	M12 Depth 20	77.8	42.9	φ51	M12 Depth 20
VG2-100	213	114								
VG2-125	225	120	79.4	36.5	φ38	M16 Depth 25	88.9	50.8	φ63.5	
VG2-145	235.5	124.75								
VG2-160	243	129								

V系列单泵进出油口连接尺寸  
VG Series Single Pump Inlet and Outlet Oil Port Connection Size



型号 Model	规格 Specifications	S	A1	B1	C1	对应法兰 Corresponding flange	P	A2	B2	C2	对应法兰 Corresponding flange				
VG0	8	19	47.6	22.2	M10 Depth 15	F06	13	38.1	17.5	M8 Depth 13	F04				
	10		52.4	26.2		F08									
	13		58.7	30.2		F10									
	16	26	58.7	30.2	M10 Depth 15	F10	18	47.6	22.2	M10 Depth 15	F06				
	20	19													
	25	28													
VG1	25	32	58.7	30.2	M10 Depth 17	F10	18	47.6	22.2	M10 Depth 17	F06				
	32						20					52.4	26.2	F08	
	40														
	50	51	77.8	42.9	M12 Depth 20	F10	32	69.9	35.7	M12 Depth 20	F12				
	63											63.5	88.9	50.8	F16
	50(H)														
VG2	80	51	77.8	42.9	M12 Depth 20	F16	32	69.9	35.7	M12 Depth 20	F12				
	100														
	125	63.5	88.9	50.8	M16 Depth 25	F20	38	79.4	36.5	M16 Depth 25	F14				
	145														
	160											76	106.4	61.9	M16 Depth 25

# VG系列双联泵

VG Series Double Pump



## 双联泵简介/Introduction double pump

双联泵是由两个单泵串联组装而成, 具有一个共用的进油口和独立的出油口按照两个泵的系列组合, 可获得多种排量:

VG10D系列、VG11D系列、VG21D系列、VG22D系列

The double pump is composed of two single pumps assembled in series, with one oil inlet and independent oil outlet, according to the series of two pumps, can be obtained displacement:

VG10D series, VG11D series, VG21D series, VG22D series.

## 型号说明/Model Designation

VG11D	-63	-40	R	E	W	-A1
系列号 Series	轴端泵排量代号 ml/r Flow code of shaft end pump	盖端泵排量代号 ml/r Flow code of cover end pump	旋转方向 Rotation direction	轴伸形式 Shaft type	密封材料 Sealing material	设计号 Design number
VG10D	25、32、40、50、63	8、10、13、16、20、25	从泵轴端看 Views from shaft end of pump R=顺时针旋转 Right hand for clockwise	E=平键轴 Straight key shaft	W=丁腈橡胶 NBR	A1
VG11D	25、32、40、50、63	25、32、40、50、63		R=SAE 花键轴 Spline shaft	V=氟橡胶 FKM	
VG21D	80、100、125、145、160	25、32、40、50、63	L=逆时针旋转 Left hand for counter-clockwise			
VG22D	80、100、125、145、160	80、100、125、145、160				

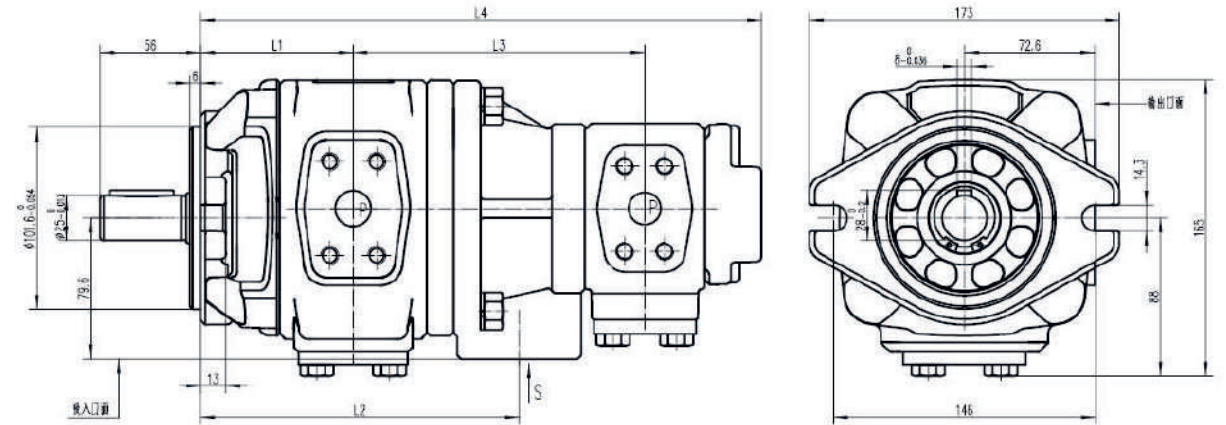
## 产品特点/Product Features

- 1.前后油泵采用浮动花键联轴器式结构, 配合独特的润滑脂配方保证油泵性能稳定、长寿命和低音;
- 2.最大排量可以扩展到 320CC, 为电机和驱动器选型、机型选配提供足够的选择空间;
- 4.油泵出油口和吸油口方向灵活调配, 安装简易。
- 5.任意排量组合, 适应不同工况需求;

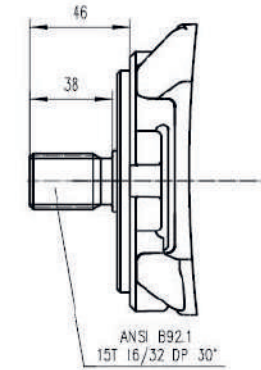
- 1.The front and rear oil pumps adopt floating flower coupling structure, with a unique grease formula to ensure stable performance, long life and low noise of the oil pump;
- 2.The maximum displacement can be extended to 320cc, which provides enough choice space for motor and driver selection and model selection;
- 3.The direction of oil outlet and suction outlet of oil pump is flexible and easy to install;
- 4.Any displacement combination, to meet the needs of different working conditions.

## VG10D安装连接尺寸/Installation Dimensions

E型平键轴 Keyed shaft



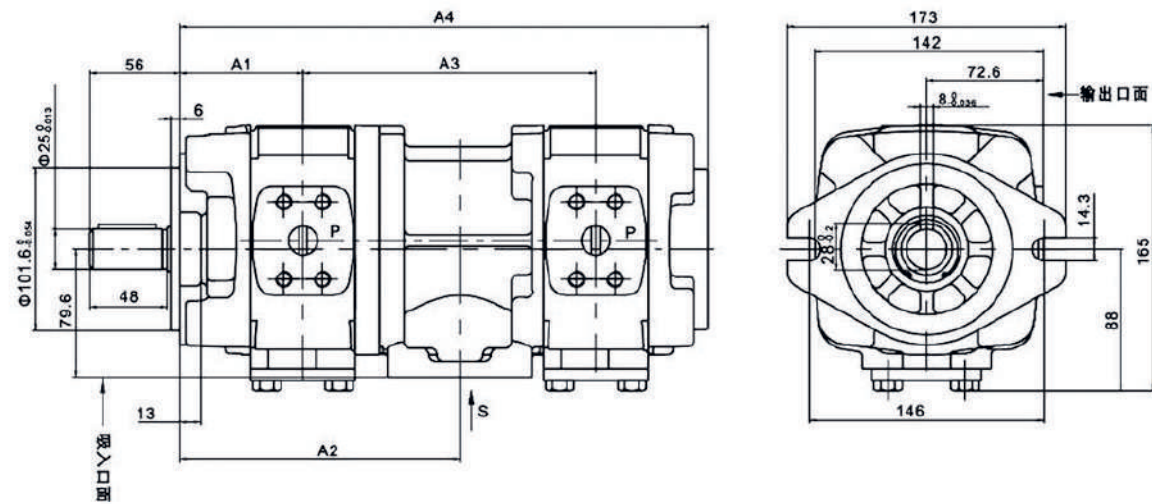
R型花键轴 Spline shaft



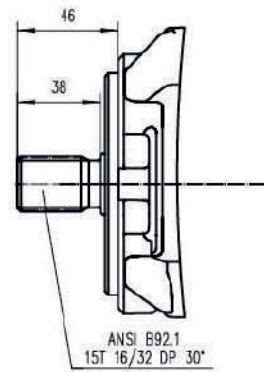
前泵型号 Front pump	L1	L2	后泵型号/Rear pump											
			08		10		13		16		20		25	
			L3	L4	L3	L4	L3	L4	L3	L4	L3	L4	L3	L4
25	73	153.5	73	264.5	140.5	268.5	143.8	275	146.5	280.5	150.5	288.5	154.5	296.5
32	76.5	160.5	76.5	271.5	144	275.5	147.3	282	150	287.5	154	295.5	158	303.5
40	80	167.5	80	278.5	147.5	282.5	150.8	289	153.5	294.5	157.5	302.5	161.5	310.5
50	85	177.5	85	288.5	152.5	292.5	155.8	299	158.5	304.5	162.5	312.5	165.5	320.5
63	92	191.5	92	302.5	159.5	306.5	162.8	313	165.5	318.5	169.5	326.5	173.5	334.5

VG11D安装连接尺寸/Installation Dimensions

E型平键轴 Keyed shaft

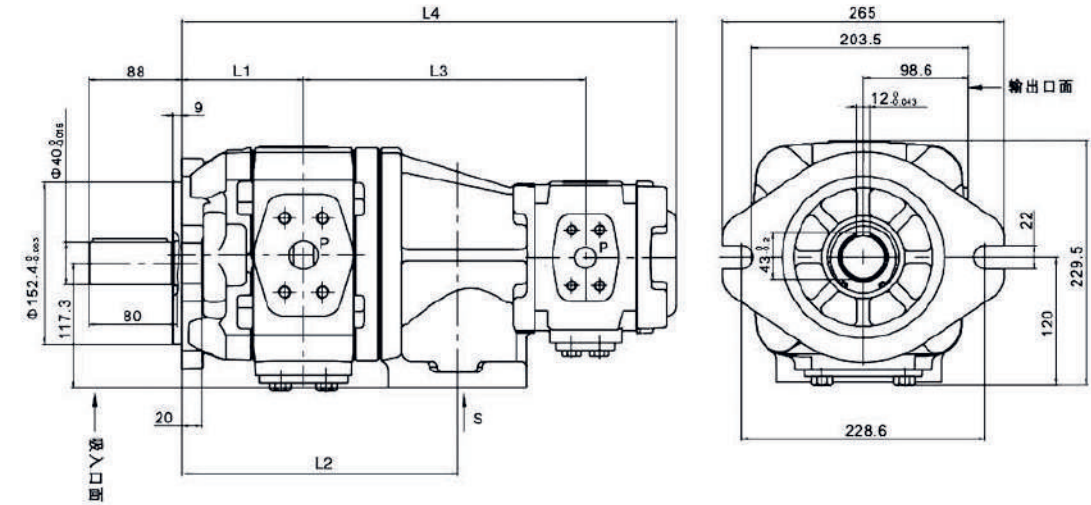


R型花键轴 Spline shaft

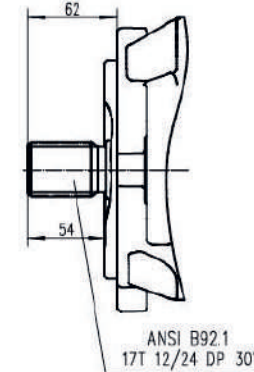


VG21D安装连接尺寸/Installation Dimensions

E型平键轴 Keyed shaft



R型花键轴 Spline shaft

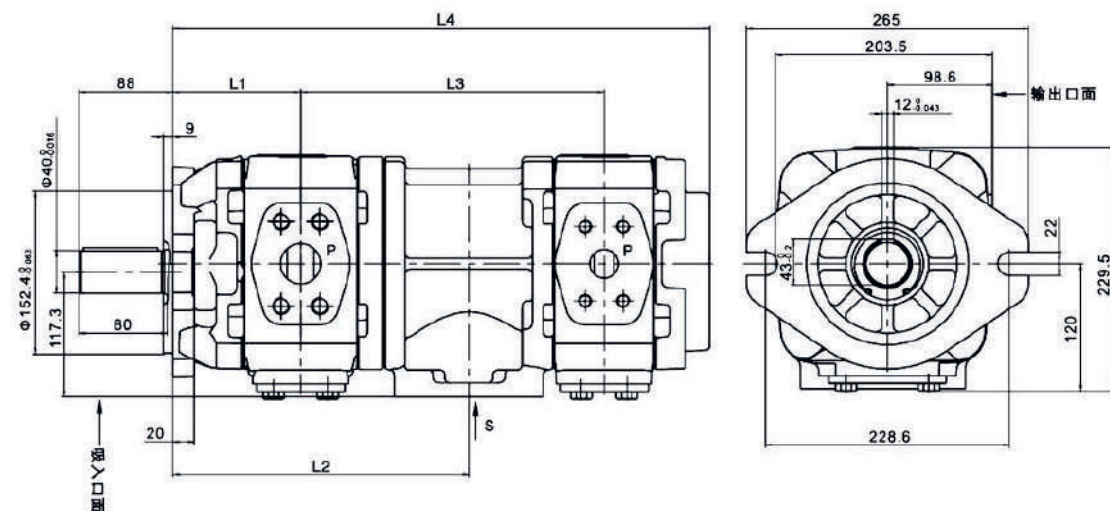


前泵型号 Front pump	L1	L2	后泵型号/Rear pump																			
			08		10		13		16		20											
			L3	L4	L3	L4	L3	L4	L3	L4	L3	L4										
25	73	161	161	300																		
32	76.5	168	164.5	307	168	314																
40	80	175	168	314	171.5	321	175	328														
50	85	185	173	288.5	152.5	292.5	180	338	185	348												
63	92	199	180	338	183.5	345	187	352	192	362	199	376										

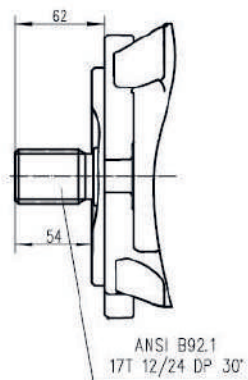
前泵型号 Front pump	L1	L2	后泵型号/Rear pump																			
			08		10		13		16		20											
			L3	L4	L3	L4	L3	L4	L3	L4	L3	L4										
80	109.5	231	204.5	380	208	387	211.5	394	216.5	404	223.5	418										
100	114	240	209	389	212.5	396	216	403	221	413	228	427										
125	120	250.2	215	401	218.5	408	222	415	227	425	234	439										
145	124.8	261.5	219.8	410.5	223.3	417.5	226.8	424.5	231.8	434.5	238.8	448.5										
160	129	270	224	419	227.5	426	231	433	236	443	243	457										

VG22D安装连接尺寸/Installation Dimensions

E型平键轴 Keyed shaft

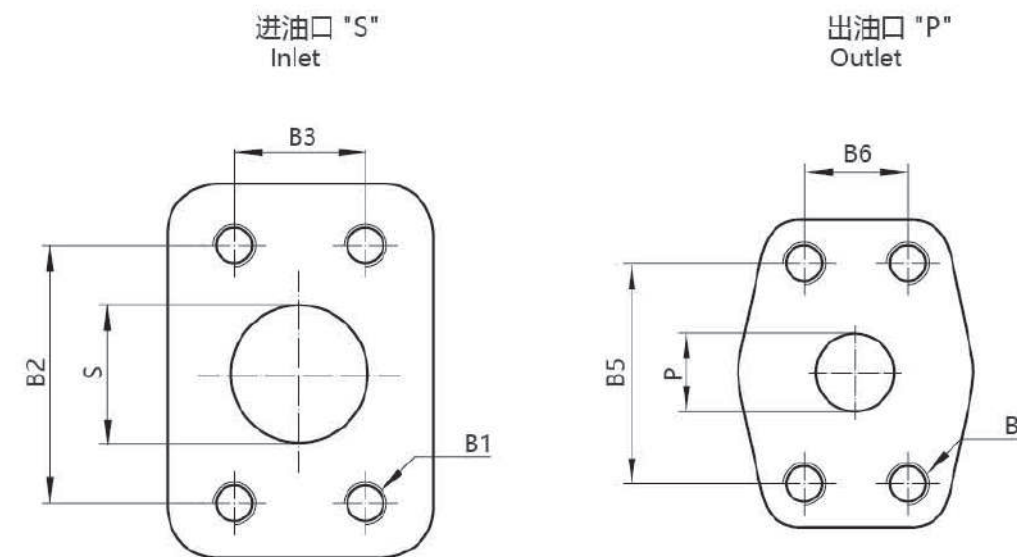


R型花键轴 Spline shaft



前泵型号 Front pump	L1	L2	后泵型号/Rear pump										
			08		10		13		16		20		
			L3	L4	L3	L4	L3	L4	L3	L4	L3	L4	
80	73	161	161	300									
100	76.5	168	164.5	307	168	314							
125	80	175	168	314	171.5	321	175	328					
145	85	185	173	288.5	152.5	292.5	180	338	185	348			
160	129	277.5	251.5	338	183.5	345	187	352	192	362	199	376	

VG系列双联泵进出油口连接尺寸  
VG Series Double Pump Inlet and Outlet Oil Port Connection Size

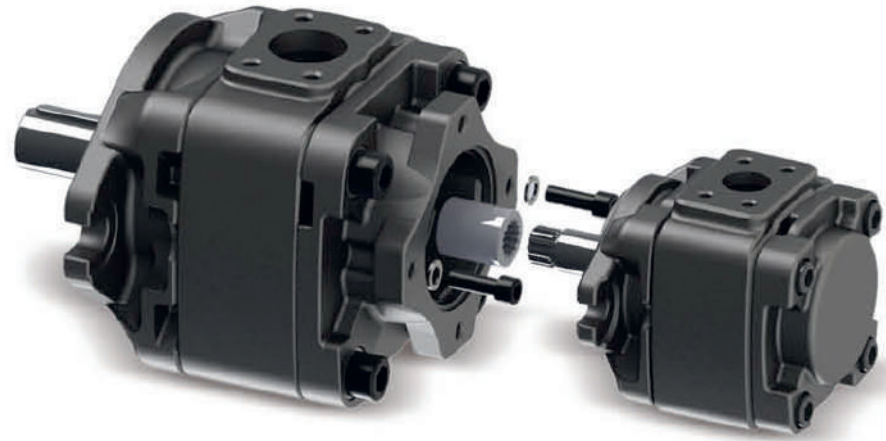


型号 Model	S	B1	B2	B3	规格 Specifications	P	B4	B5	B6	
VG10D	φ38	M12 深20 Depth	69.9	35.7	G0	φ13	M8 深13 Depth	38.1	17.5	
										8
										10
										13
VG11D	φ51	M12 深20 Depth	77.8	42.9	G1	φ18	M10 深15 Depth	47.6	22.2	
										20
										25
										25
VG21D	φ76	M16 深25 Depth	106.4	61.9	G1	φ18	M10 深17 Depth	47.6	22.2	
										32
										40
										50
VG22D	φ89	M16 深25 Depth	120.7	69.9	G2	φ20	M10 深20 Depth	52.4	26.2	
										63
										80
										100
VG22D	φ89	M16 深25 Depth	120.7	69.9	G2	φ32	M10 深20 Depth	69.9	35.7	
										125
										145
										160

# VG系列双联泵

VG Series Double Pump

D



## 组合泵简介/Introduction Combiend pump

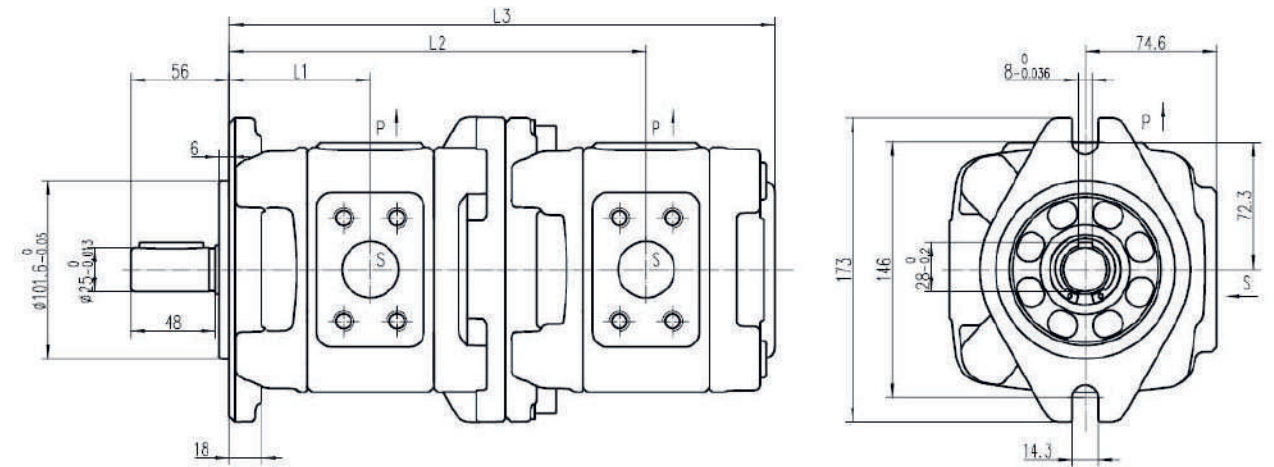
组合泵是由两个单泵串联组装而成，具有两个独立的进油口和独立的出油口，按照两个泵的系列组合可获得多种排量:VG11系列、VG21系列、VG22 系列

The Combiend pump is composed of two single pumps assembled in series, with two independent oil inlet and independent oil outlet, according to the series of two pumps can be obtained displacement: VG11 series, VG21 series, VG22 series.

## 型号说明/Model Designation

VG11	-63	-40	R	E	W	-A1
系列号 Series	轴端泵排量代号 ml/r Flow code of shaft end pump	轴端泵排量代号 ml/r Flow code of shaft end pump	旋转方向 Rotation	轴伸形式 Shaft type	密封材料 Sealing material	设计号 Design number
VG11	25、32、40、50、63 50H、63H	25、32、40、50、63 50H、63H	从泵轴端看 Views formshaft end of pump	E=平键轴 Straight key shaft	W=丁腈橡胶 NBR	A1
VG21	80、100、125 145、160	25、32、40、50、63 50H、63H	R=顺时针旋转 Right hand fo r clockwise	R=SAE 花键轴 Spline shaft	V=氟橡胶 FKM	
VG22	80、100、125 145、160	80、100、125 145、160	L=逆时针旋转 Left hand for counter-clockwise			

## VG11安装连接尺寸/Installation Dimensions



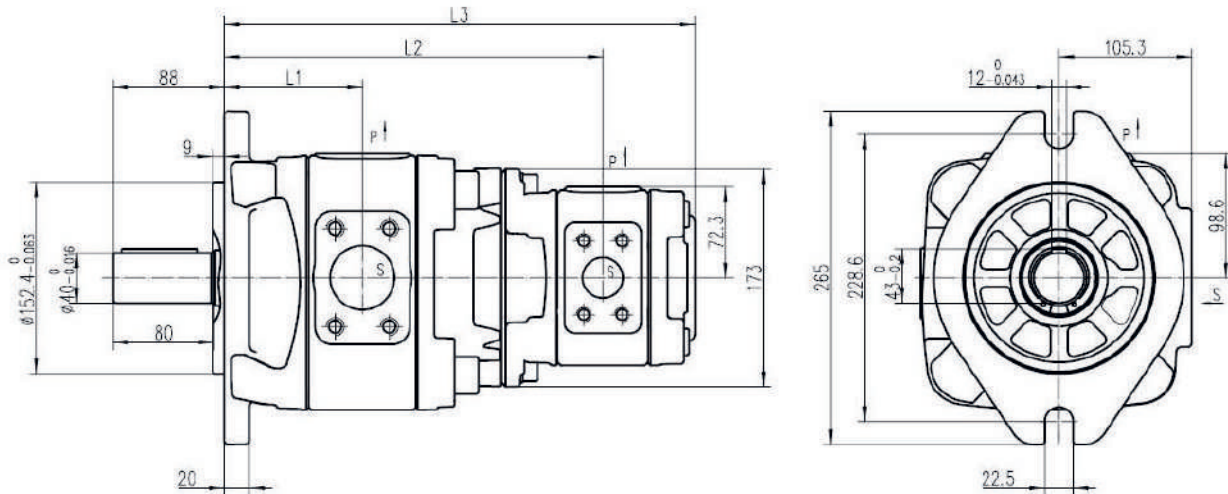
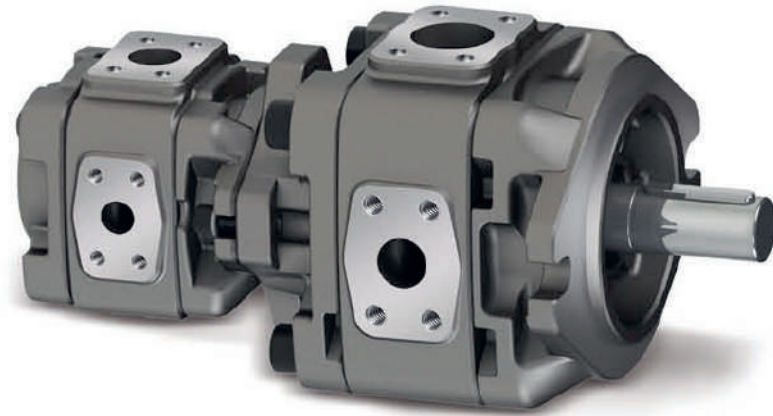
D

前泵型号 Front pump	L1	后泵型号/Rear pump									
		25		32		40		50		63	
		L2	L3	L2	L3	L2	L3	L2	L3	L2	L3
25	73	215.5	283								
32	76.5	222.5	290	290	226	297					
40	80	229.5	297	297	233	304	236.5	311			
50	85	239.5	307	307	152.5	314	246.5	251.5	331		
63	92	253.5	321	257	328	260.5	335	265.5	345	272.5	359

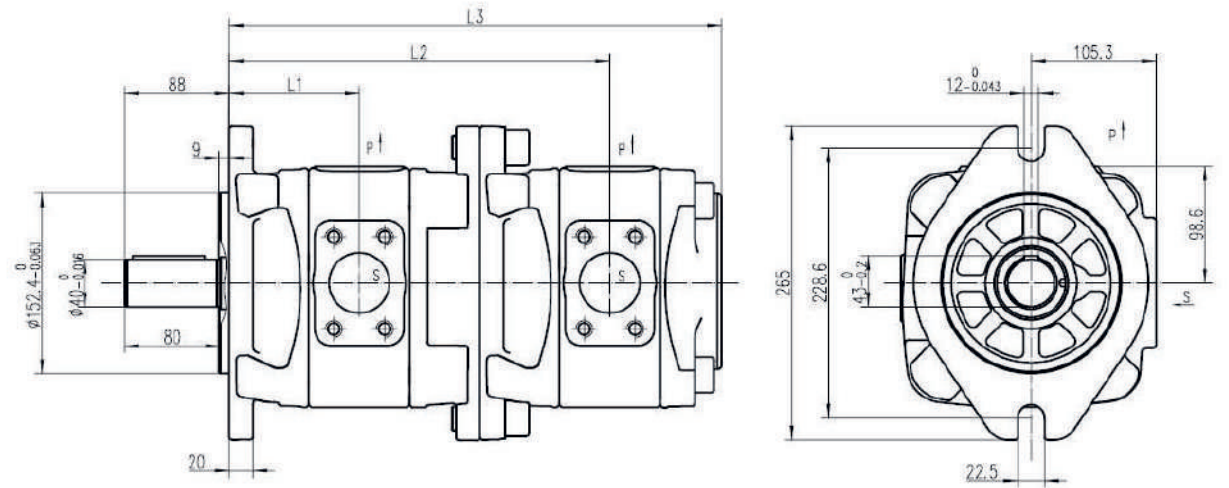
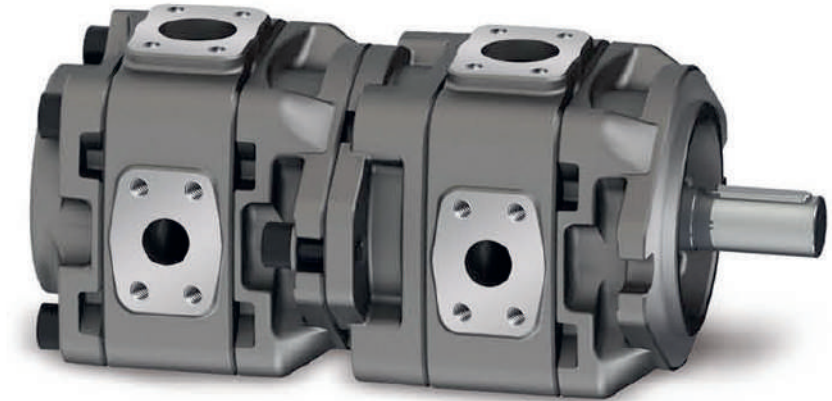
VG21安装连接尺寸/Installation Dimensions

VG22安装连接尺寸/Installation Dimensions

D



D



前泵型号 Front pump	L1	后泵型号/Rear pump									
		08		10		13		16		20	
		L3	L4	L3	L4	L3	L4	L3	L4	L3	L4
80	109.5	293	359	296.5	387	211.5	394	216.5	404	223.5	418
100	114	302	368	212.5	396	216	403	221	413	228	427
125	120	314	380	218.5	408	222	415	227	425	234	439
145	124.8	323.5	389.5	223.3	417.5	226.8	424.5	231.8	434.5	238.8	448.5
160	129	332	398	227.5	426	231	433	236	443	243	457

前泵型号 Front pump	L1	后泵型号/Rear pump									
		80		100		125		145		160	
		L2	L3	L2	L3	L2	L3	L2	L3	L2	L3
80	109.5	320.5	412								
100	114	330.5	420	335	429						
125	120	342.5	432	347	441	353	453				
145	124.8	352	441.5	356.5	450.5	362.5	462.5	367	472		
160	129	360.5	450	365	459	371	471	375.5	480.5	380	489

# NCB系列齿轮泵

NCB Series Gear Pump

## 产品介绍 Products introduction

广泛应用于汽车领域和工业领域的耐高压系统。如剪床、折床、冲床、注塑机、压铸机及各种高压油压机。

## 功能特点 Features

1. 具有径向及轴向压力补偿设计, 效率高
2. 采用高强度铸铁和内部独特的消音设计, 噪音低。
3. 低流量和压力脉动, 在低转速时仍可保持稳定的流量和压力输出。
4. 排量齐全, 多种排量组合。
5. 对油液污染不敏感, 使用寿命长。

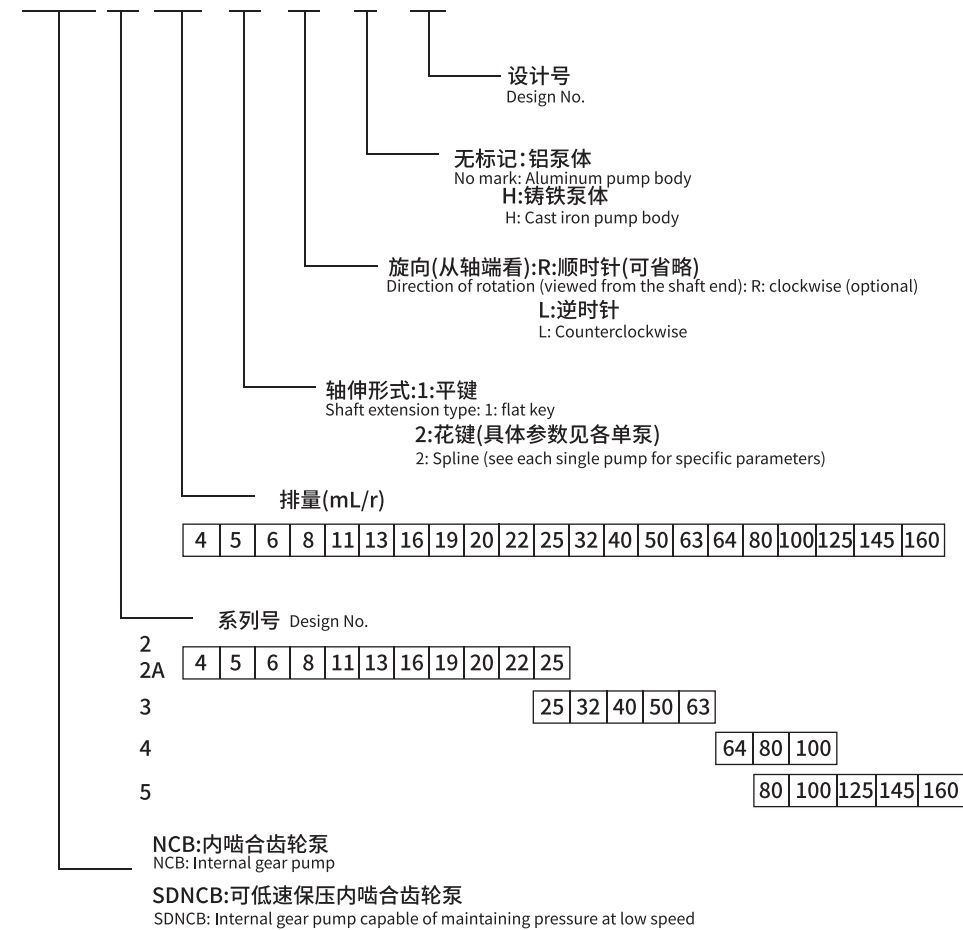
NCB series is widely used in automotive and industrial high-voltage systems. Such as shears, folders, punches, injection moulding machines, die-casting machines and various high-pressure hydraulic machinery.

## Characteristics :

1. Internal gear pump with axial and radial gap compensation, high efficiency.
2. It adopts high strength cast iron and unique interior noise reduction design, with low noise.
3. With low flow and pressure pulsation, stable flow and pressure output can be maintained at low speed.
4. Complete displacement and multiple displacement combinations.
5. It is not sensitive to oil pollution and has long service life.

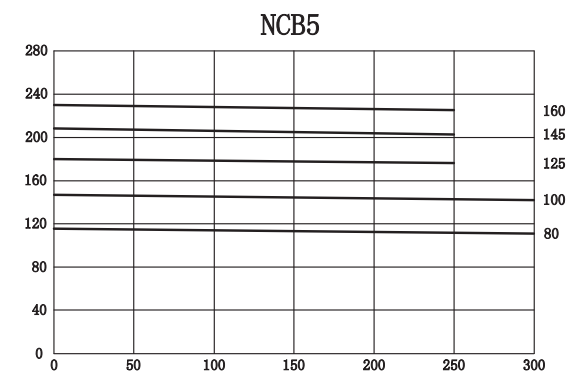
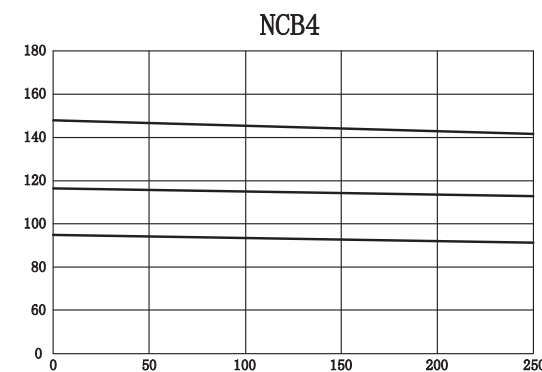
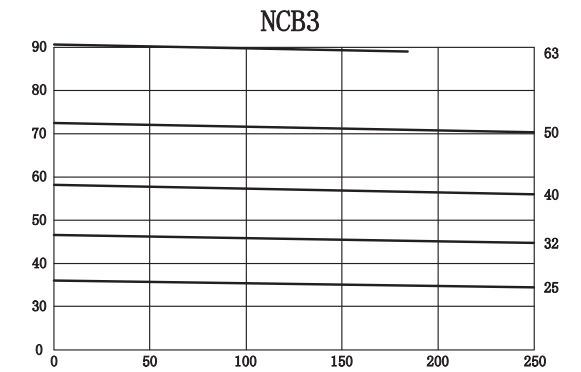
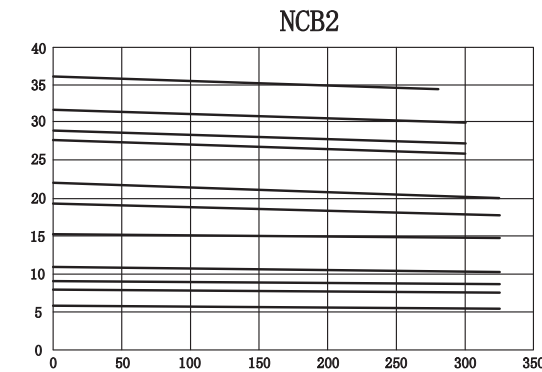
## 型号说明 Model Code

NCB \* - \*\* - \* \* - H - S1



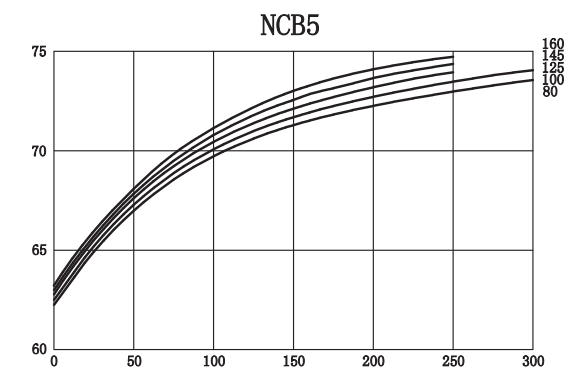
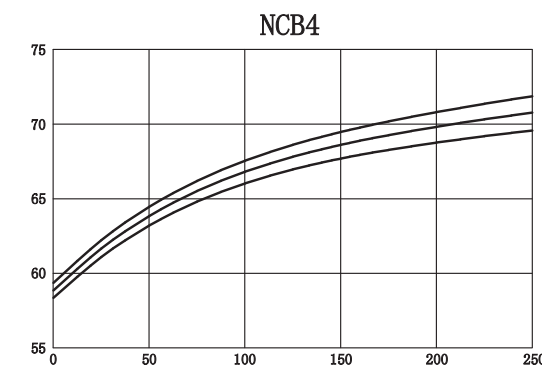
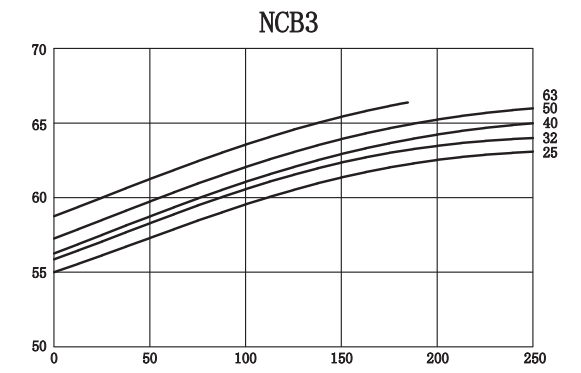
## 流量压力特性曲线

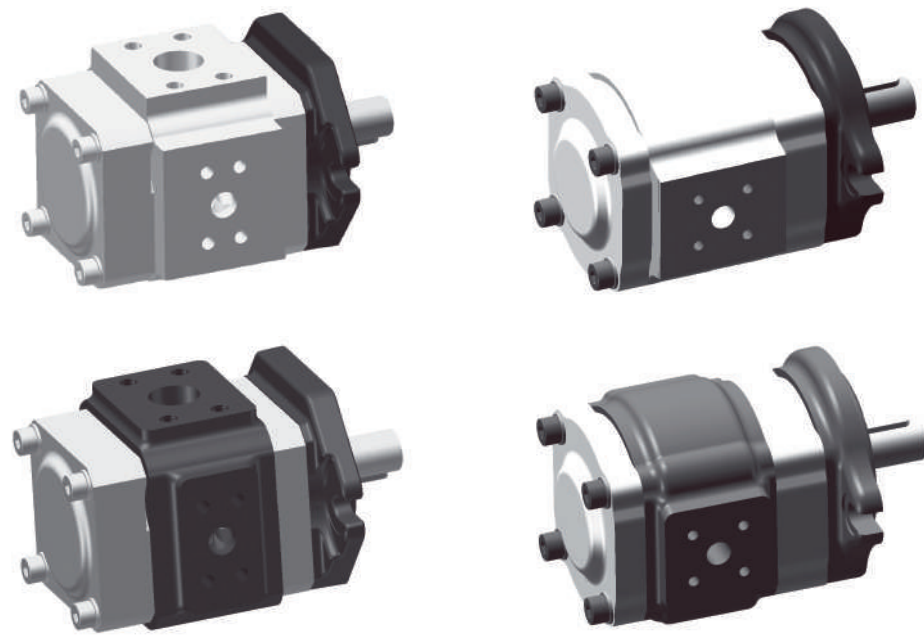
测试条件: 转速1450r/min, 46#液压油, 温度40°C  
Test conditions: speed 1450r/min, 46# hydraulic oil, temperature 40°C



## 噪声曲线

测试条件: 转速1450r/min, 46#液压油, 温度40°C, 噪声仪与泵距离1m  
Test conditions: speed 1450r/min, 46# hydraulic oil, temperature 40°C, distance between noise meter and pump 1m



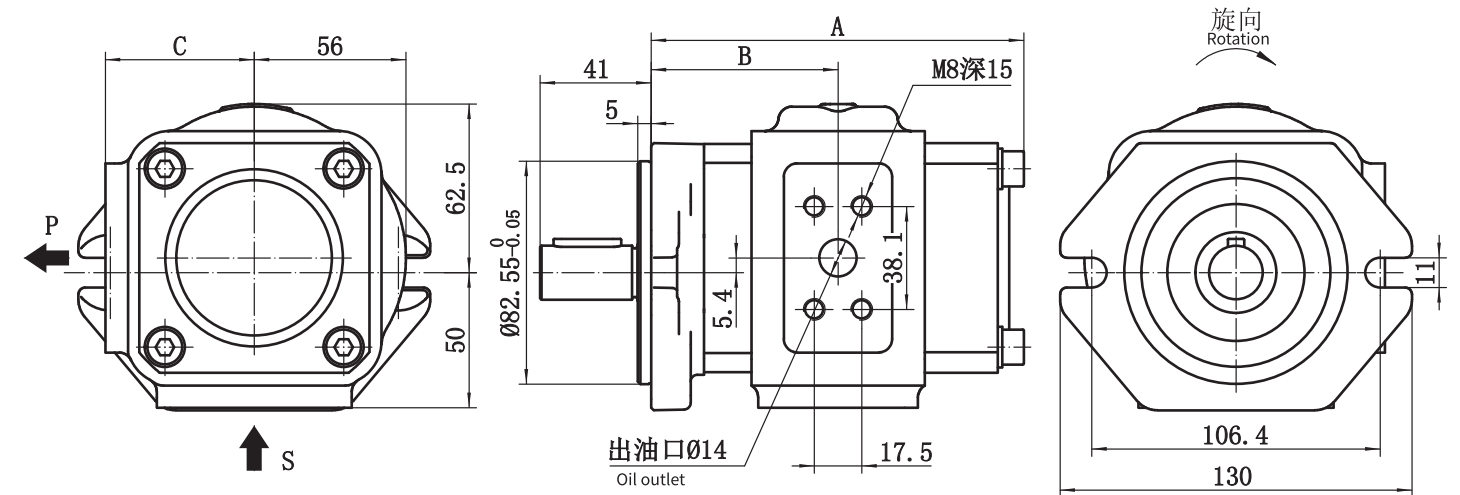
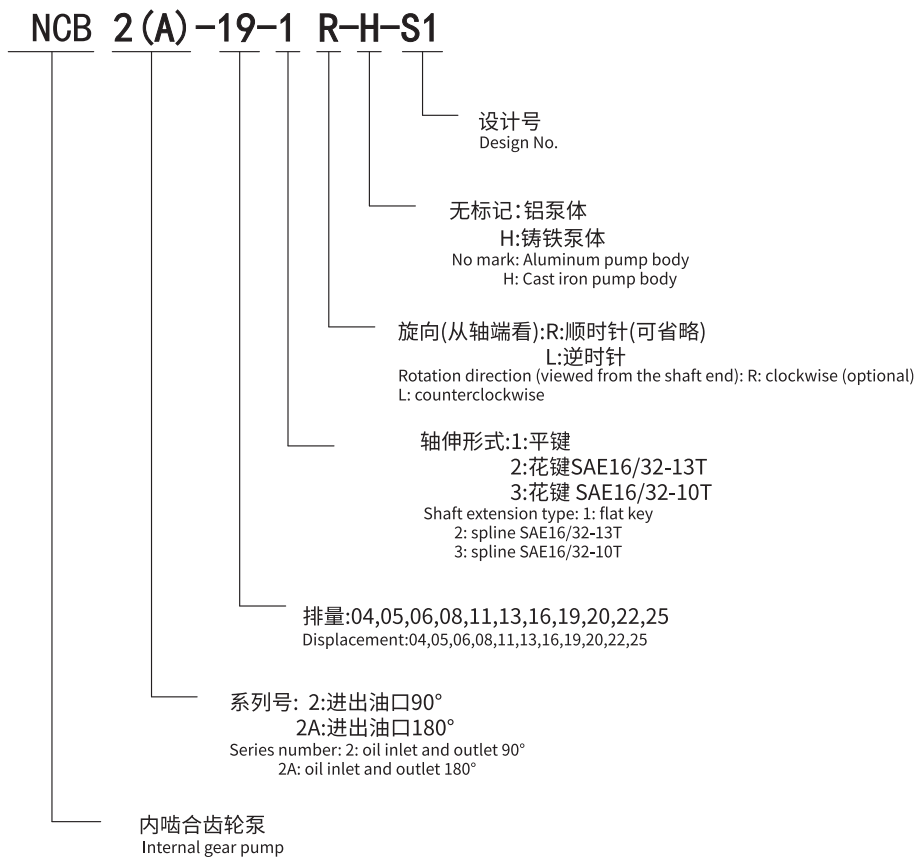


NCB2技术参数 Technical Data

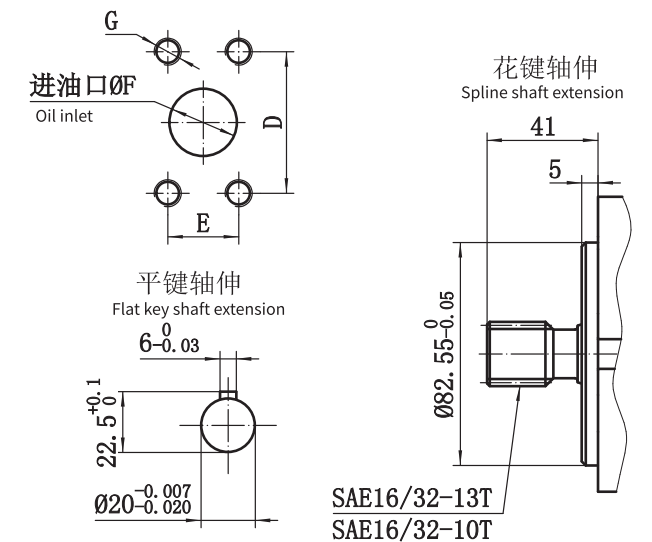
排量号 Displacement No.	04	05	06	08	11	13	16	19	20	22	25
理论排量(mL/r)	4.2	5.4	6.4	7.9	10.9	13.3	15.8	19.3	20.1	22.2	25.2
额定压力(MPa)	28						25				
最高压力(MPa)	32						30			28	
转速范围(r/min)	200-3000						200-2800			200-2500	
工作粘度(mm <sup>2</sup> /s)	10-300										
工作温度(°C)	-20至+80										
工作介质 Working medium	VG46-68抗磨液压油 VG46-68 anti-wear hydraulic oil										
清洁度 Cleanliness	9级(NAS1638)或20/18/15(ISO4066) Level 9 (NAS1638) or 20/18/15 (ISO4066)										
吸油口压力(MPa)	0.06-0.20										
容积效率(%) Volumetric efficiency	88	91	92			93					
机械效率(%) Mechanical efficiency	88	91	92			93					
重量(约)(kg)	2.9	2.9	3.0	3.1	3.3	3.5	3.6	3.8	4.0	4.0	4.2
噪声(dB)	53	53	54	56	57	58	59	59	60	60	61

噪声值是在n=1450r/min, Ap=25MPa, T=50°C, 使用介质为46#抗磨液压油, 与泵距离为1m所测得  
The noise value is measured at n=1450r/min, Ap=25MPa, T=50°C, using 46# anti-wear hydraulic oil as the medium, and the distance from the pump is 1m.

型号说明 Model Code



排量 Displacement	尺寸 Size	A	B	C	D	E	F	G	
04	109.5	55	50	38.1	17.5	14	M8深15		
05	109.5	55							
06	115.5	56							
08	114.5	57.5							
11	120.5	60.5	55	52.4	26.2	25	M10深17		
13	125.5	63							
16	130.5	65.5							
19	137.5	69							
20	143.5	72							
22	143.5	72							
25	149.5	75							

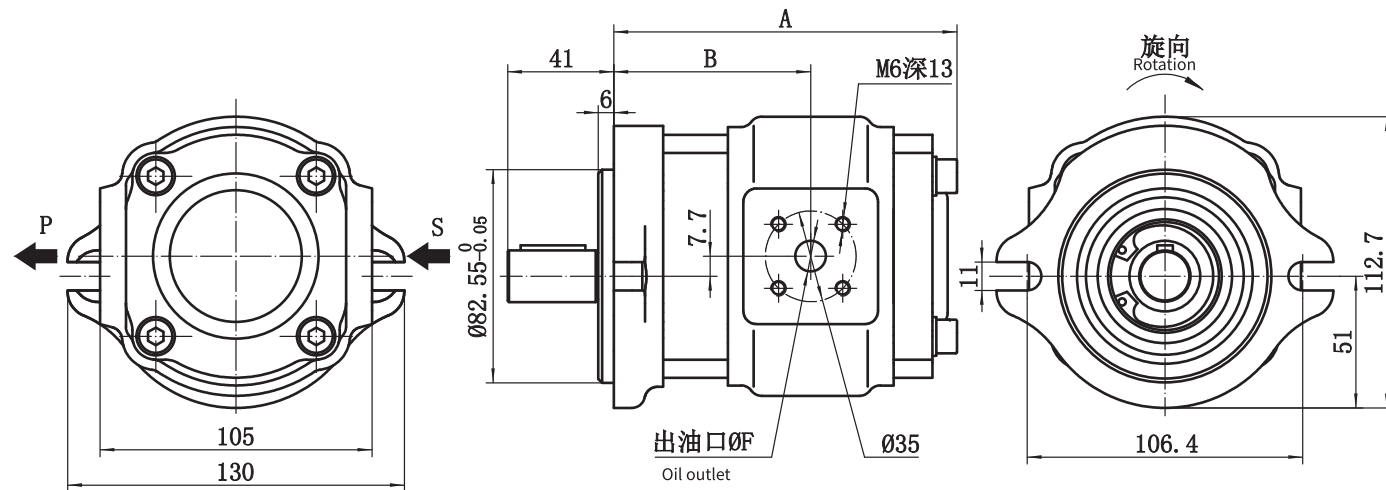


NCB2技术参数 Technical Data

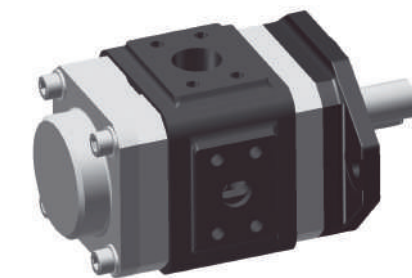
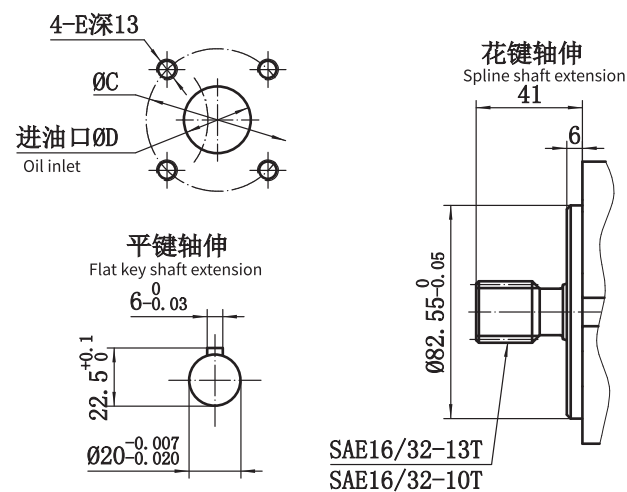
排量号 Displacement No.	04	05	06	08	11	13	16	19	20	22	25
理论排量(mL/r)	4.2	5.4	6.4	7.9	10.9	13.3	15.8	19.3	20.1	22.2	25.2
额定压力(MPa)	28						25				
最高压力(MPa)	32						30			28	
转速范围(r/min)	200-3000						200-2800			200-2500	
工作粘度(mm <sup>2</sup> /s)	10-300										
工作温度(°C)	-20至+80										
工作介质 Working medium	VG46-68抗磨液压油						VG46-68 anti-wear hydraulic oil				
清洁度 Cleanliness	9级(NAS1638)或20/18/15(ISO4066)						Level 9 (NAS1638) or 20/18/15 (ISO4066)				
吸油口压力(MPa)	0.06-0.20										
容积效率(%) Volumetric efficiency	88	91	92			93					
机械效率(%) Mechanical efficiency	88	91	92			93					
重量(约)(kg)	2.9	2.9	3.0	3.1	3.3	3.5	3.6	3.8	4.0	4.0	4.2
噪声(dB)	53	53	54	56	57	58	59	59	60	60	61

噪声值是在n=1450r/min, Ap=25MPa, T=50°C, 使用介质为46#抗磨液压油, 与泵距离为1m所测得  
The noise value is measured at n=1450r/min, Ap=25MPa, T=50°C, using 46# anti-wear hydraulic oil as the medium, and the distance from the pump is 1m.

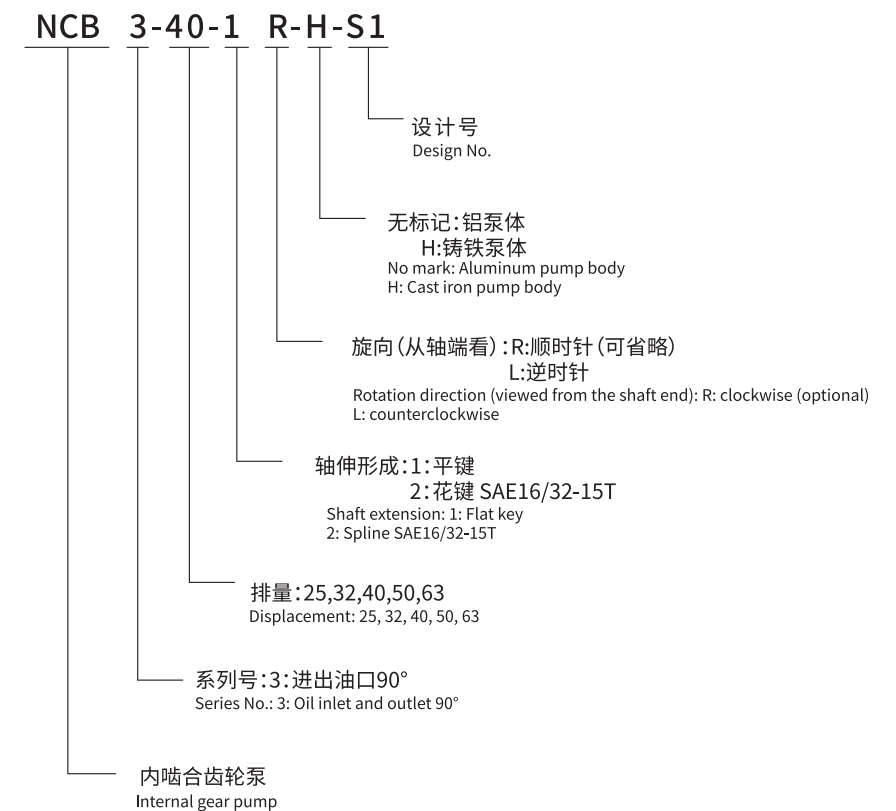
外形及连接尺寸 Configuration and Installation Dimension



排量 Displacement	尺寸 Size	A	B	C	D	E	F
04	104.5	62					5
05	104.5	62					5
06	106.5	63					7
08	109.5	64.5	40	20	M6		7
11	115.5	67.5					10
13	120.5	70					10
16	125.5	72.5					12
19	132.5	76					12
20	138.5	79					12
22	138.5	79	55	26	M8		14
25	144.5	82					14



型号说明 Model Code

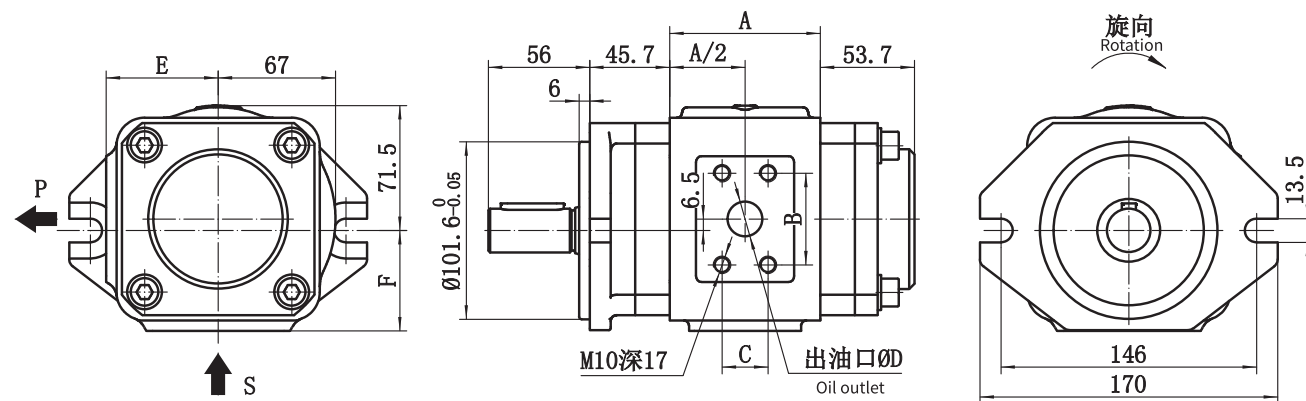


NCB3技术参数 Technical Data

排量号 Displacement No.	25	32	40	50	63
理论排量(mL/r)	24.8	32.1	40.1	50.3	63.1
额定压力(MPa)	25				18
最高压力(MPa)	32		30	28	21
转速范围(r/min)	200-3000		100-2500	100-2200	100-1800
工作粘度(mm <sup>2</sup> /s)	10-300				
工作温度(°C)	-20至+80				
工作介质 Working medium	VG46-68抗磨液压油		VG46-68 anti-wear hydraulic oil		
清洁度 Cleanliness	9级(NAS1638)或20/18/15(ISO4066)		Level 9 (NAS1638) or 20/18/15 (ISO4066)		
吸油口压力(MPa)	0.06-0.20				
容积效率(%) Volumetric efficiency	92		93		
机械效率(%) Mechanical efficiency	92		93		
重量(约)(kg)	8.6	9.2	9.8	10.5	11.2
噪声(dB)	63	64	65	66	64

噪声值是在n=1450r/min,Ap=25MPa,T=50°C,使用介质为46#抗磨液压油,与泵距离为1m所测得  
The noise value is measured at n=1450r/min, Ap=25MPa, T=50°C, using 46# anti-wear hydraulic oil as the medium, and the distance from the pump is 1m.

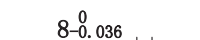
外形及连接尺寸 Configuration and Installation Dimension



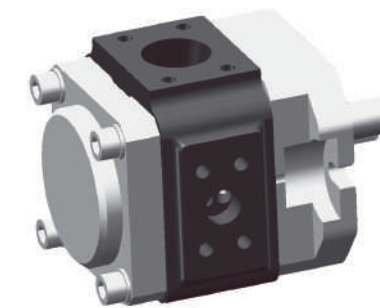
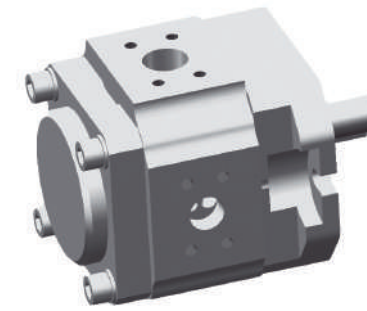
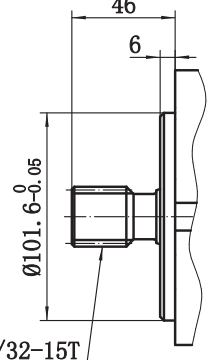
排量 Displacement	尺寸 Size	A	B	C	D	E	F
25	65	47.5	22	18	64	57.5	
32	75			20			
40	86	52.4	26.2	20	70	63.5	
50	100			25.4			
63	118			20			
40-**-H	86	52.4	26.2	20			
50-**-H	100			25.4			
63-**-H	118			25.4			



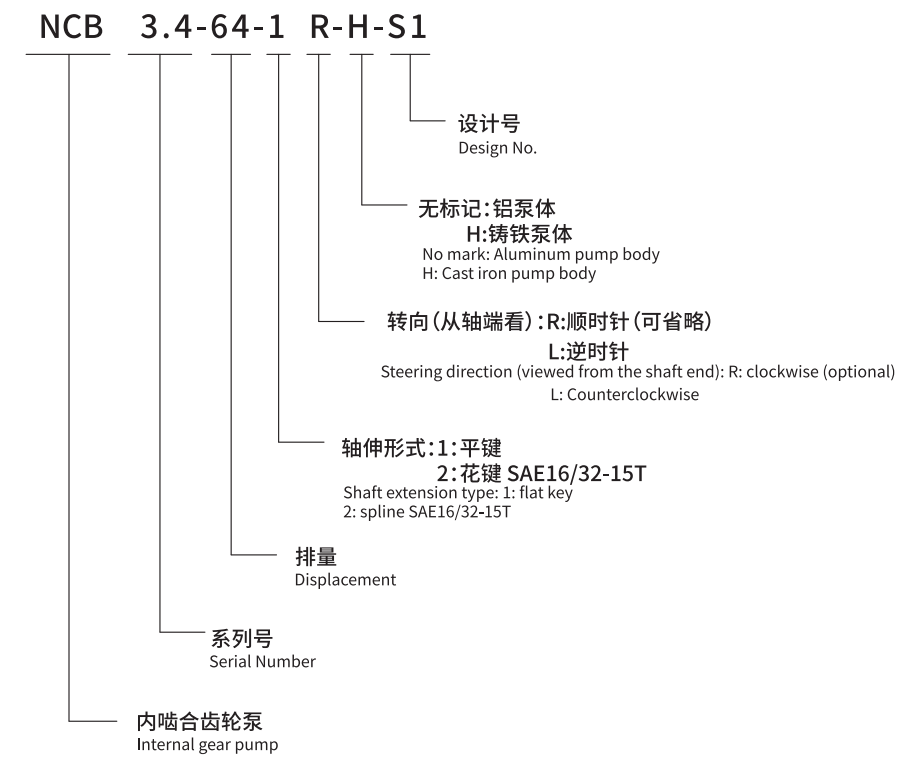
平键轴伸  
Flat key shaft extension



花键轴伸  
Spline shaft extension



型号说明 Model Code

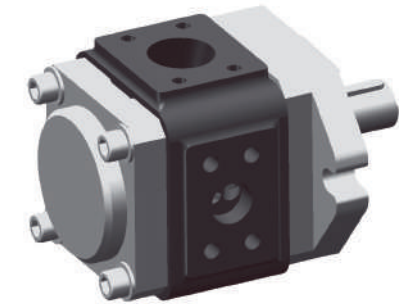
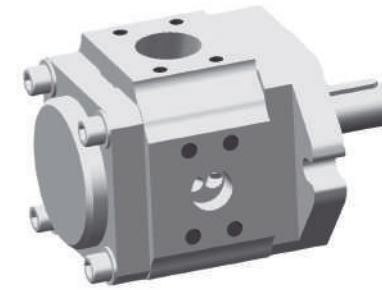


NCB3技术参数 Technical Data

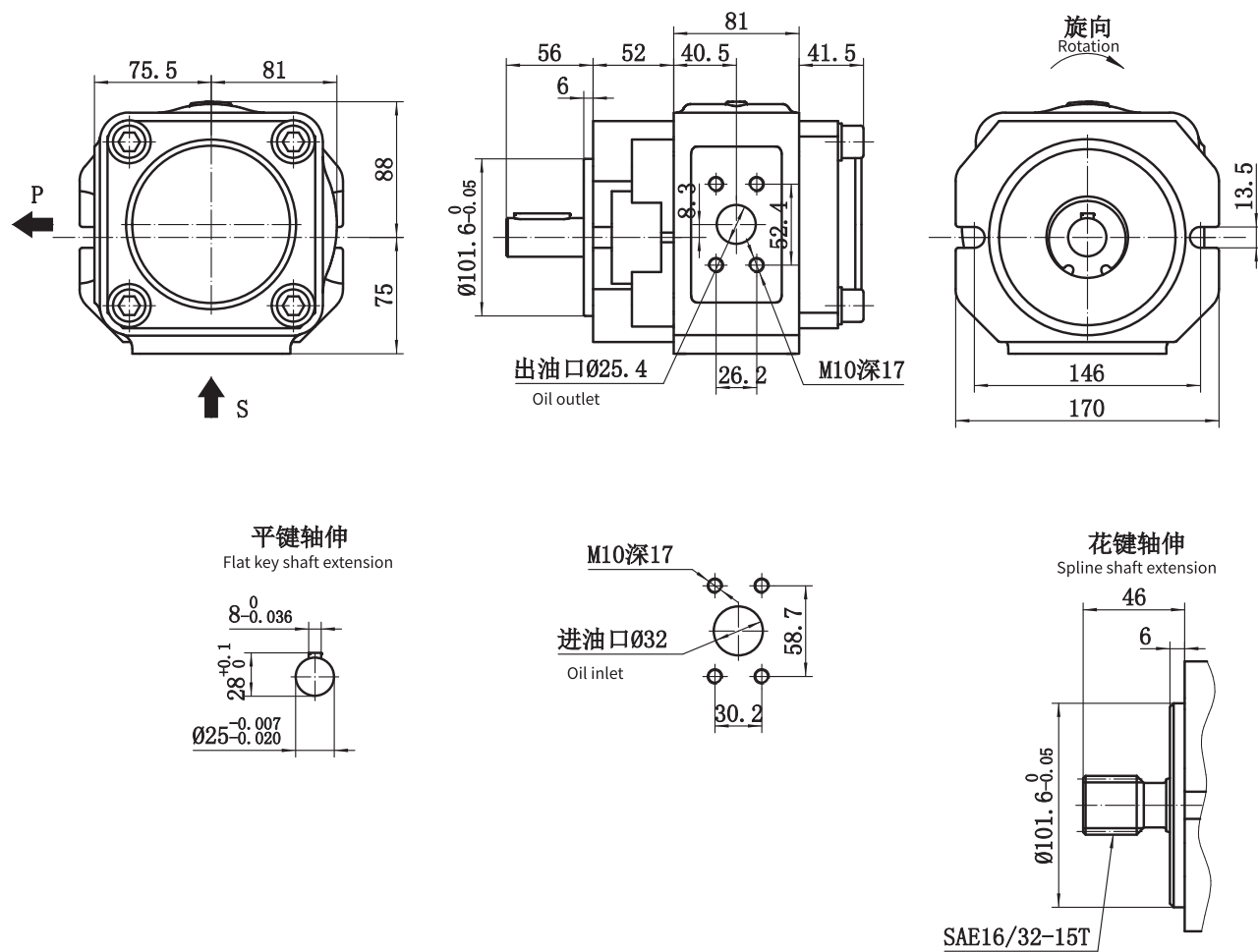
排量号 Displacement No.	64
理论排量(mL/r)	65.3
额定压力(MPa)	25
最高压力(MPa)	30
转速范围(r/min)	100-3000
工作粘度(mm <sup>2</sup> /s)	10-300
工作温度(°C)	-20至+80
工作介质 Working medium	VG46-68抗磨液压油 VG46-68 anti-wear hydraulic oil
清洁度 Cleanliness	9级(NAS1638)或20/18/15(ISO4066) Level 9 (NAS1638) or 20/18/15 (ISO4066)
吸油口压力(MPa)	0.06-0.20
容积效率(%) Volumetric efficiency	92
机械效率(%) Mechanical efficiency	92
重量(约)(kg)	11.5
噪声(dB)	67

噪声值是在n=1450r/min, Ap=25MPa, T=50°C, 使用介质为46#抗磨液压油, 与泵距离为1m所测得

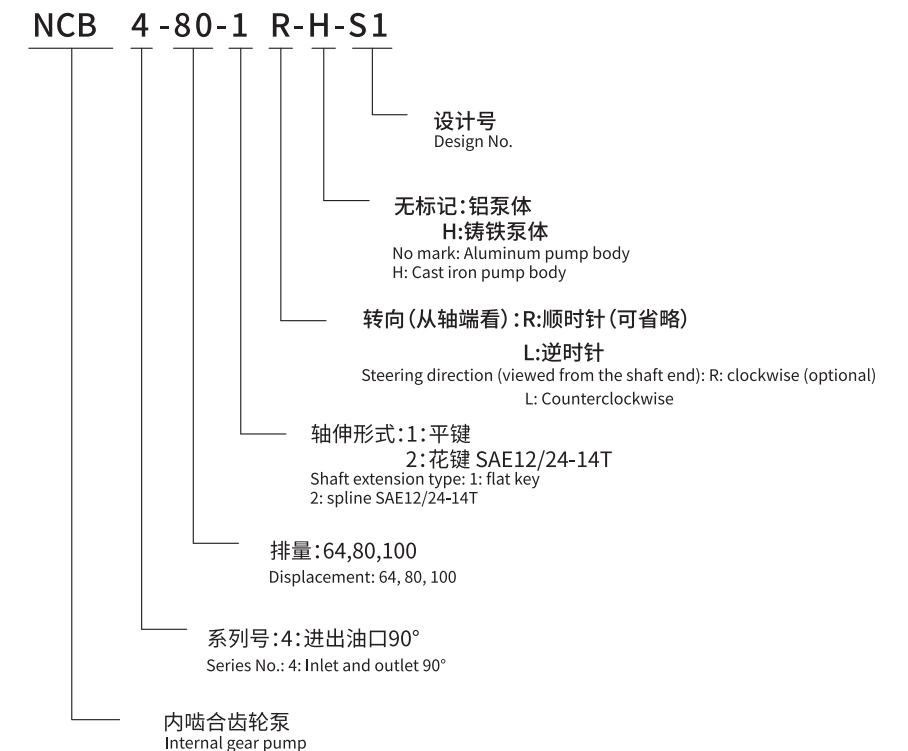
The noise value is measured at n=1450r/min, Ap=25MPa, T=50°C, using 46# anti-wear hydraulic oil as the medium, and the distance from the pump is 1m.



外形及连接尺寸 Configuration and Installation Dimension



型号说明 Model Code

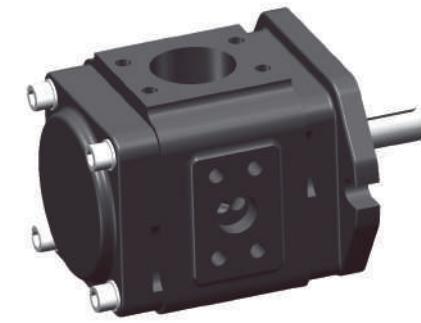
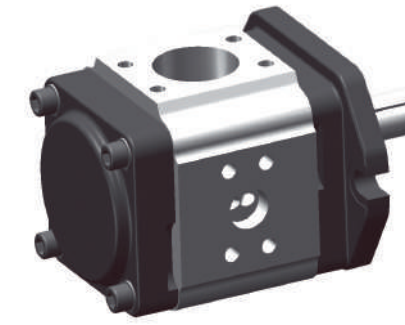
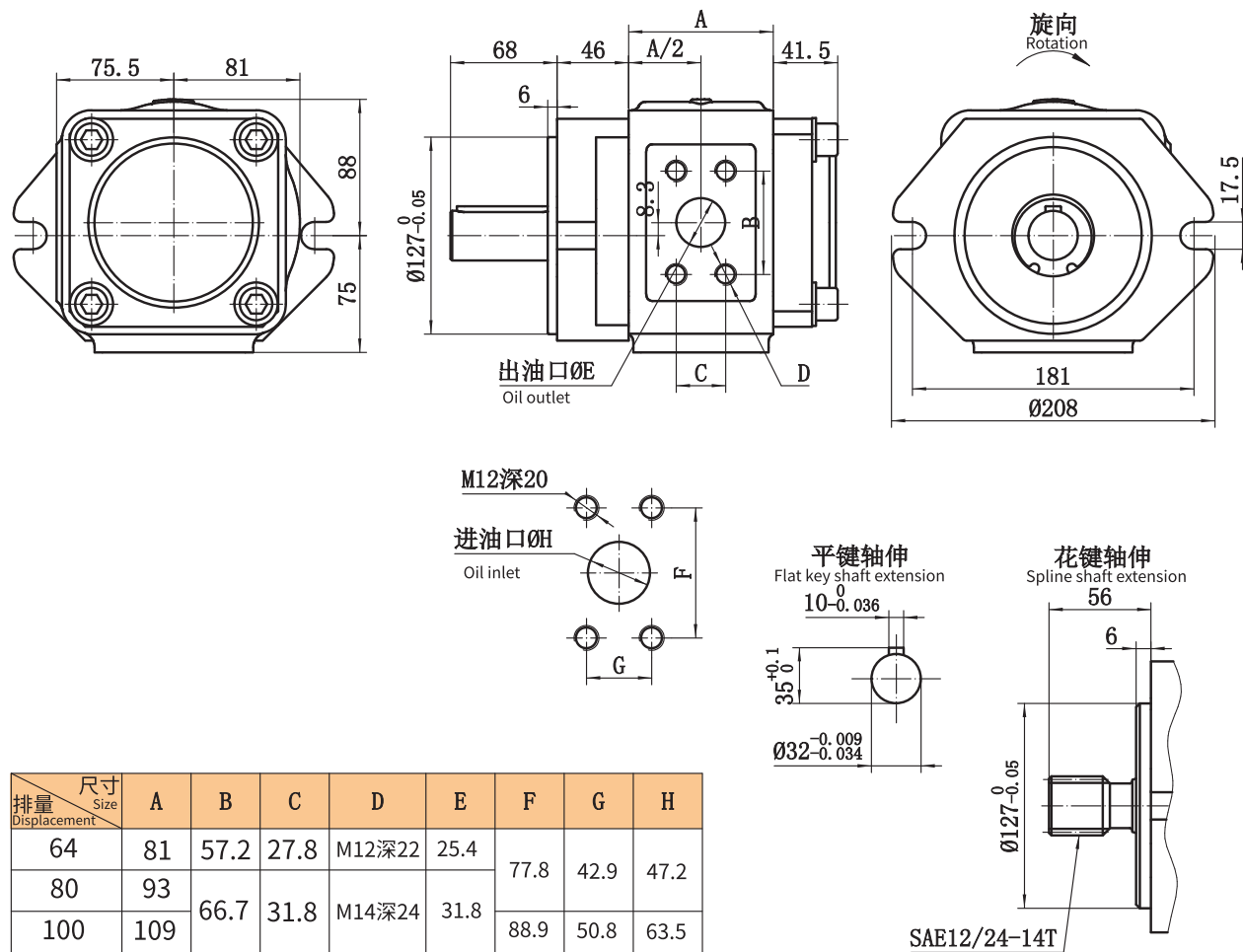


NCB4技术参数 Technical Data

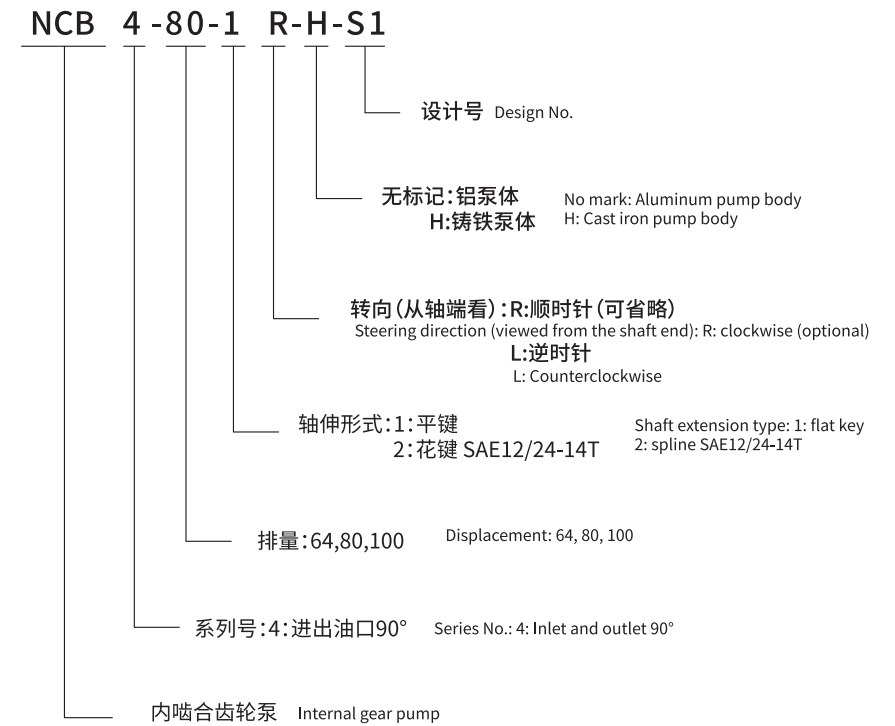
排量号 Displacement No.	25	40	63
理论排量(mL/r)	24.8	40.1	63.1
额定压力(MPa)	25		18
最高压力(MPa)	30		21
转速范围(r/min)	100-3000		100-1800
工作粘度(mm <sup>2</sup> /s)	10-300		
工作温度(°C)	-20至+80		
工作介质 Working medium	VG46-68抗磨液压油		VG46-68 anti-wear hydraulic oil
清洁度 Cleanliness	9级(NAS1638)或20/18/15(ISO4066) Level 9 (NAS1638) or 20/18/15 (ISO4066)		
吸油口压力(MPa)	0.06-0.20		
容积效率(%) Volumetric efficiency	92	93	
机械效率(%) Mechanical efficiency	92	93	
重量(约)(kg)	11.5	13.0	13.5
噪声(dB)	67	68	69

噪声值是在n=1450r/min, Ap=25MPa, T=50°C, 使用介质为46#抗磨液压油, 与泵距离为1m所测得  
The noise value is measured at n=1450r/min, Ap=25MPa, T=50°C, using 46# anti-wear hydraulic oil as the medium, and the distance from the pump is 1m.

外形及连接尺寸 Configuration and Installation Dimension



型号说明 Model Code

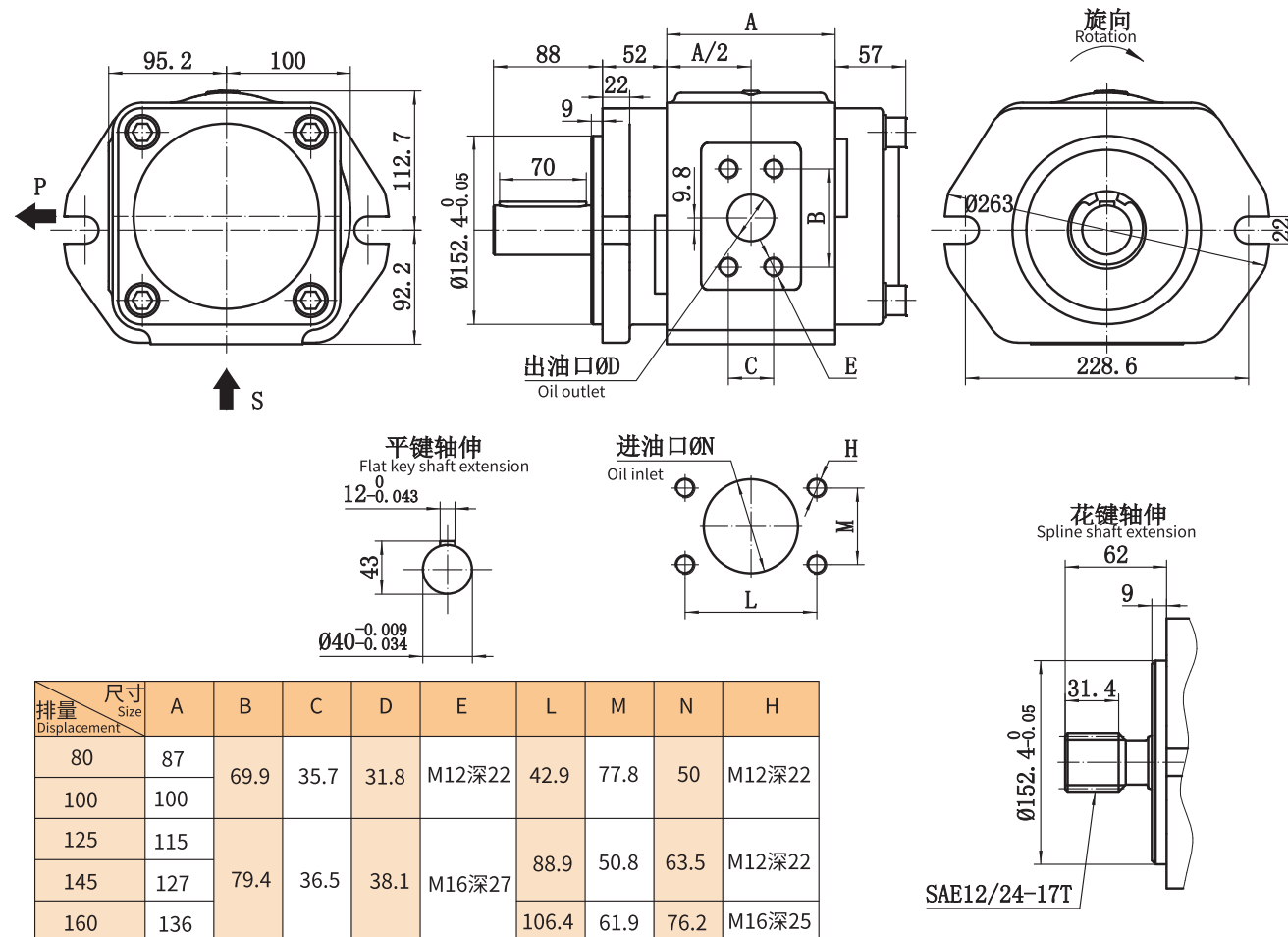


NCB4技术参数 Technical Data

排量号 Displacement No.	80	100	125	145	160
理论排量(mL/r)	80.0	101.2	125.7	145.3	160.1
额定压力(MPa)	30		25		
最高压力(MPa)	33		28		
转速范围(r/min)	200-5000			200-2000	
工作粘度(mm2/s)	10-300				
工作温度(°C)	-20至+80				
工作介质 Working medium	VG46-68抗磨液压油		VG46-68 anti-wear hydraulic oil		
清洁度 Cleanliness	9级(NAS1638)或20/18/15(ISO4066)		Level 9 (NAS1638) or 20/18/15 (ISO4066)		
吸油口压力(MPa)	0.06-0.20				
容积效率 (%) Volumetric efficiency	91	92		93	
机械效率 (%) Mechanical efficiency	90	90	90	90	91
重量(约)(kg)	47	50	54	57	60
噪声(dB)	75	76	76	77	77

噪声值是在n=1450r/min, Ap=25MPa, T=50°C, 使用介质为46#抗磨液压油, 与泵距离为1m所测得  
The noise value is measured at n=1450r/min, Ap=25MPa, T=50°C, using 46# anti-wear hydraulic oil as the medium, and the distance from the pump is 1m.

外形及连接尺寸 Configuration and Installation Dimension



NCB系列齿轮泵

NCB Series Gear Pump

功能特点 Features

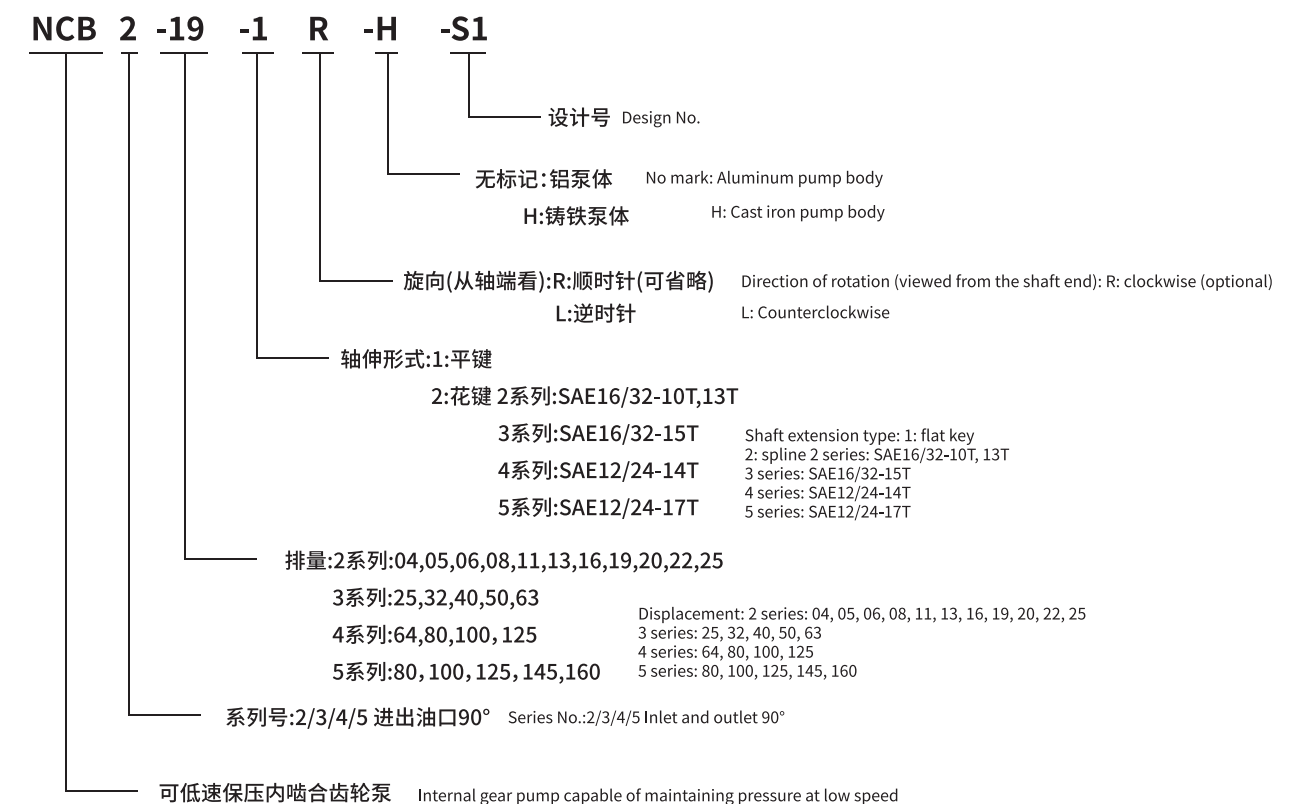
1. 具有径向及轴向压力补偿设计, 效率高。
2. 泵体采用高强度铝合金和铸铁, 内部独特的消音设计, 整体噪音低
3. 低流量和压力脉动, 在低转速时仍可保持稳定的流量和压力输出。
4. 排量齐全, 多种排量组合。
- ※5. 使用伺服驱动系统, 实现高效节能运转。
- ※6. 该产品设置有单独外泄口, 在高速工沉下正常运行同时在低速保压运转下, 发热量低。

1. With radial and axial pressure compensation design, high efficiency.
2. The pump body is made of high-strength aluminum alloy and cast iron, with a unique internal silencer design, and low overall noise
3. Low flow and pressure pulsation, stable flow and pressure output can be maintained at low speed.
4. Complete displacement, multiple displacement combinations.
- ※5. Use servo drive system to achieve efficient and energy-saving operation.
- ※6. The product is equipped with a separate external drain port, which can operate normally at high speed and maintain pressure at low speed, and has low heat generation.

NCB系列齿轮泵外泄口说明(※十分重要) Description (※ Very important)

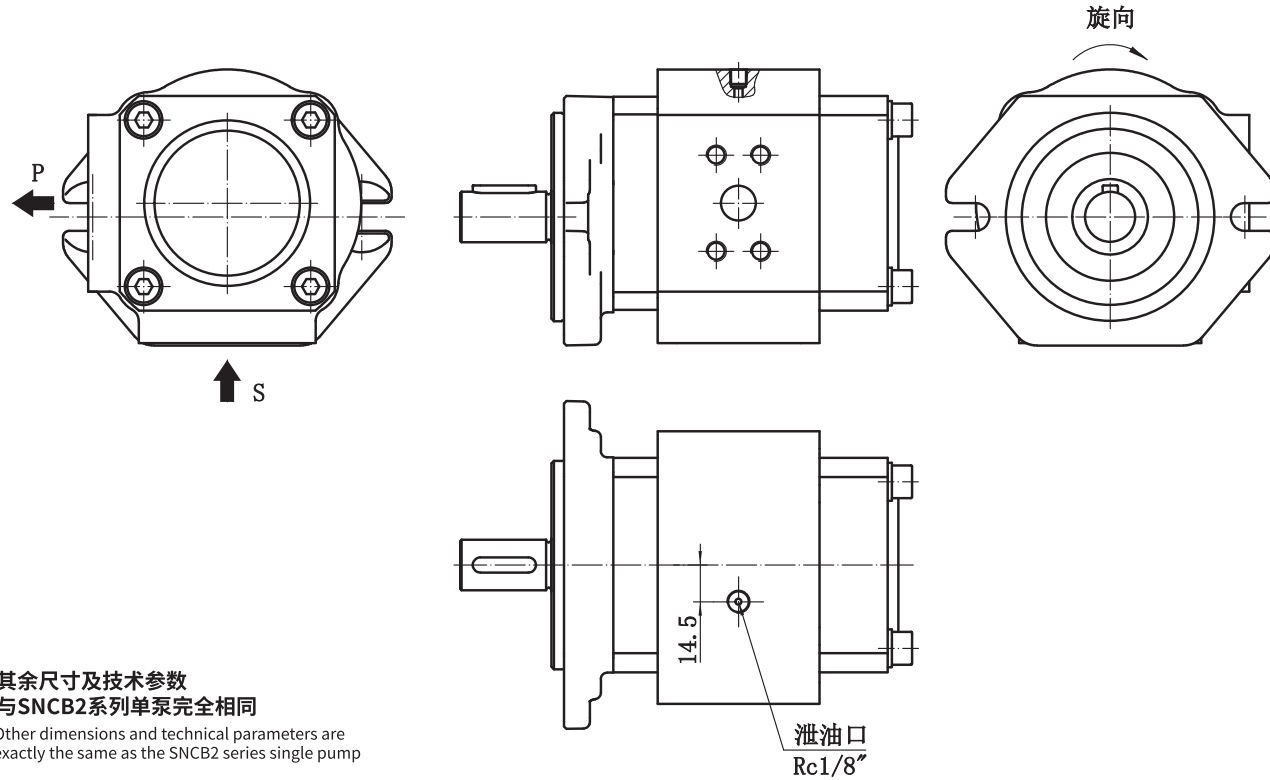
1. 需安装外泄油配管。
  2. 外泄油管不要安装阀门、节流等。
  3. 不将外泄油管跟其他配管合流在一起, 外泄油口要单独排到油箱。
1. It is necessary to install an external oil leakage pipe.
  2. Do not install valves, throttles, etc. on the external oil leakage pipe.
  3. Do not merge the external oil leakage pipe with other pipes, and the external oil leakage port should be discharged to the oil tank separately.

型号说明 Model Code

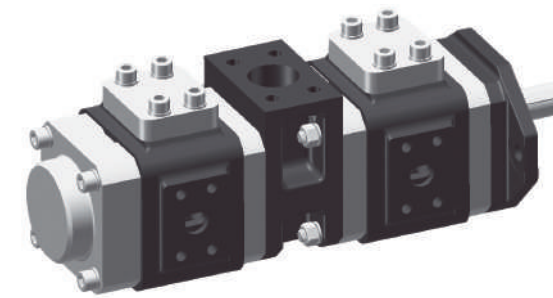


可低速保压内啮合齿轮泵 Internal gear pump capable of maintaining pressure at low speed

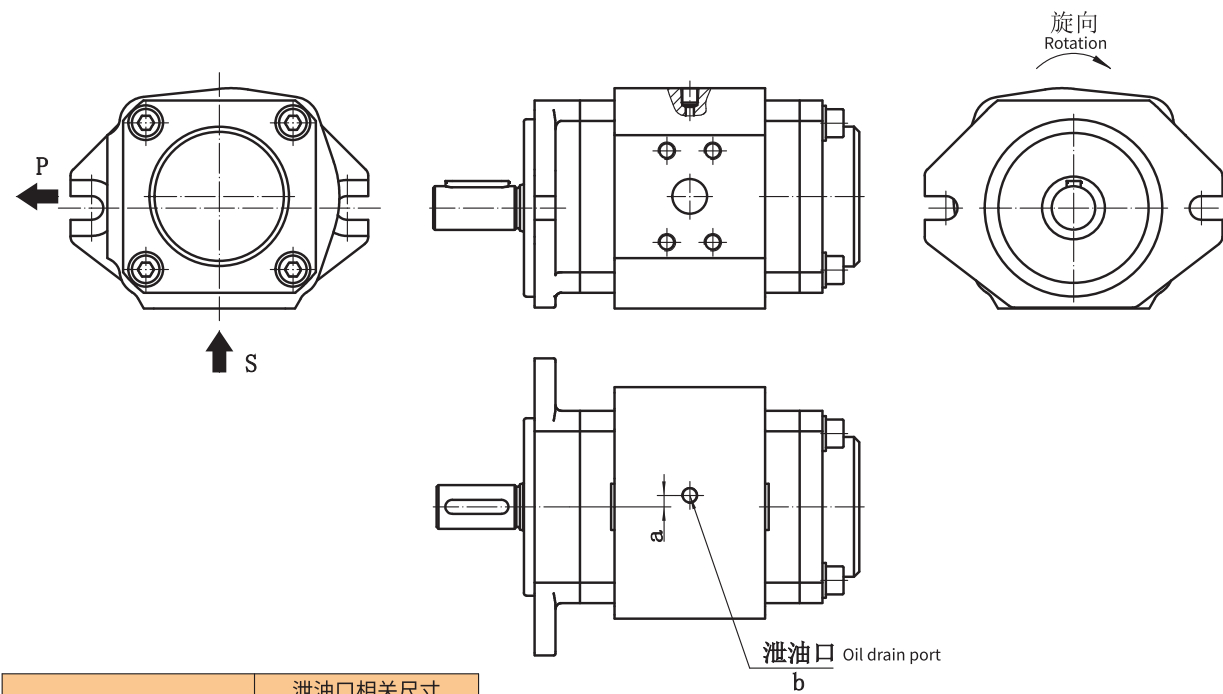
NCB2系列外形及连接尺寸 Configuration and Installation Dimension



其余尺寸及技术参数  
与SNCB2系列单泵完全相同  
Other dimensions and technical parameters are  
exactly the same as the SNCB2 series single pump



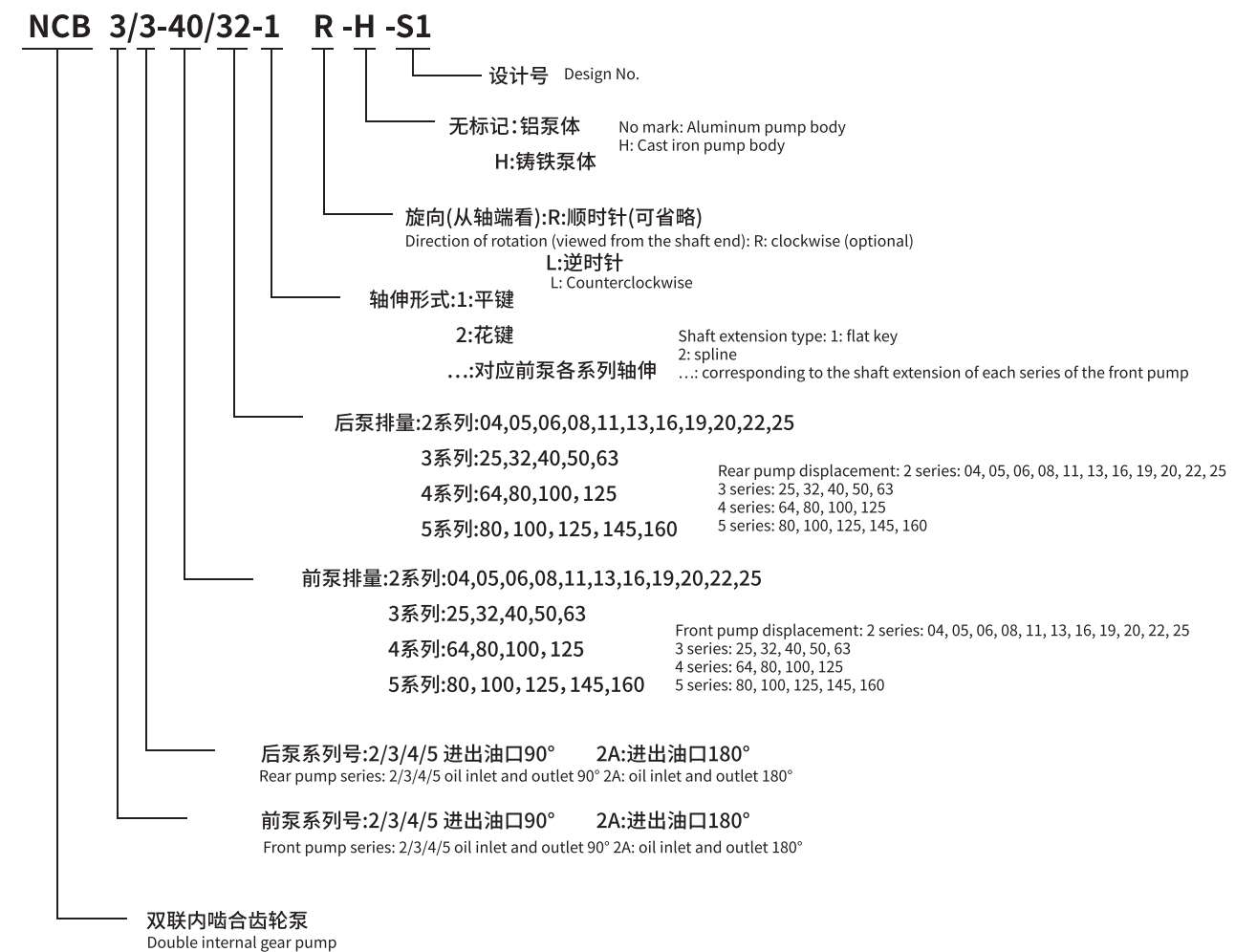
NCB3\4\5系列外形及连接尺寸 Configuration and Installation Dimension



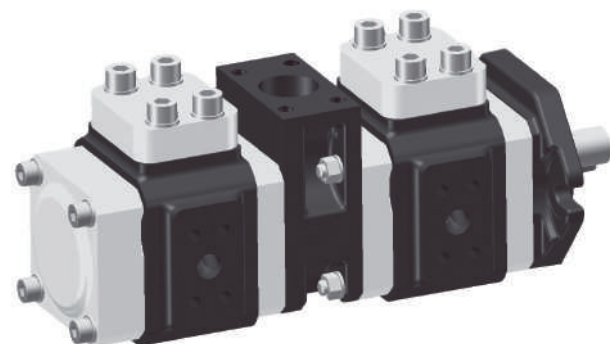
产品型号 Product Model	泄油口相关尺寸 Drain port dimensions	
	a	b
SDNCB3-*-S1	6.5	Rc1/4"
SDNCB4-*-S1	8.3	Rc3/8"
SDNCB5-*-S1	9.8	Rc3/8"

其余尺寸及技术参数  
与SNCB3\4\5系列单泵完全相同  
Other dimensions and technical parameters  
are exactly the same as NCB3\4\5 series single pumps

型号说明 Model Code

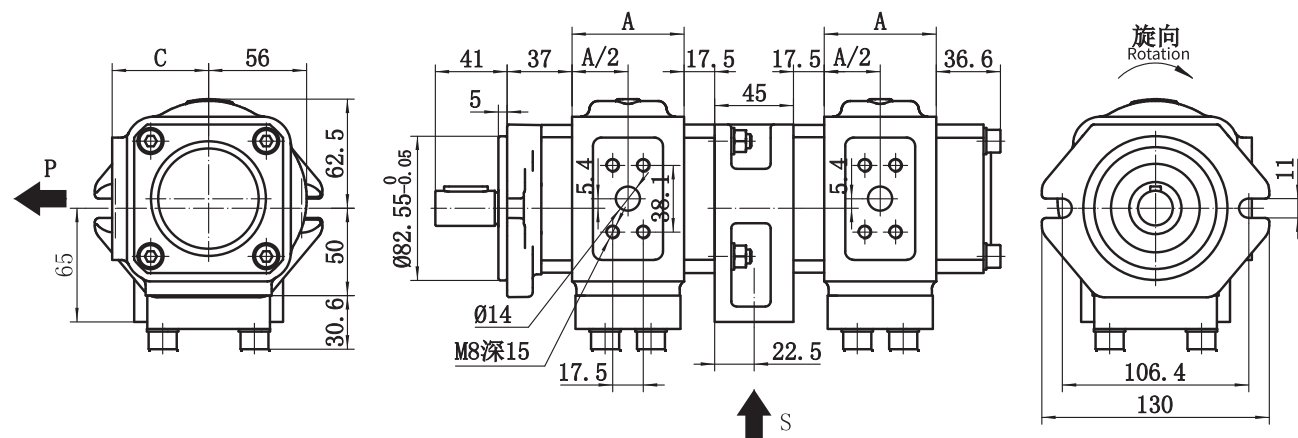


NCB2/2

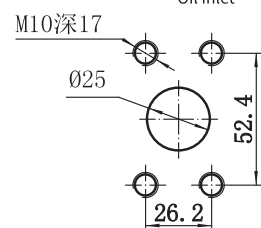


D

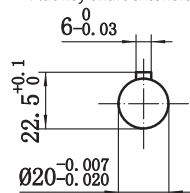
外形及连接尺寸 Configuration and Installation Dimension



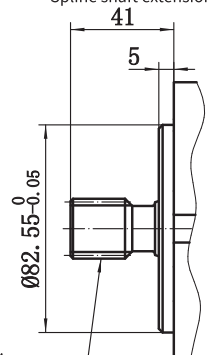
中间进油口  
Oil inlet



平键轴伸  
Flat key shaft extension



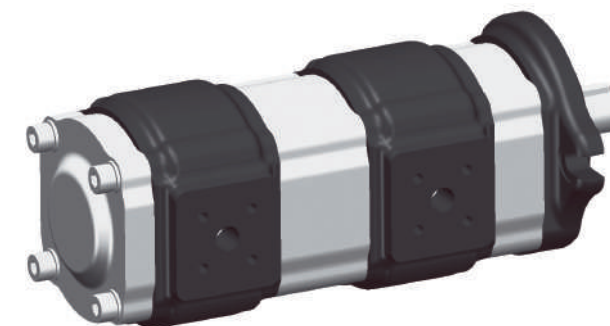
花键轴伸  
Spline shaft extension



SAE16/32-13T  
SAE16/32-10T

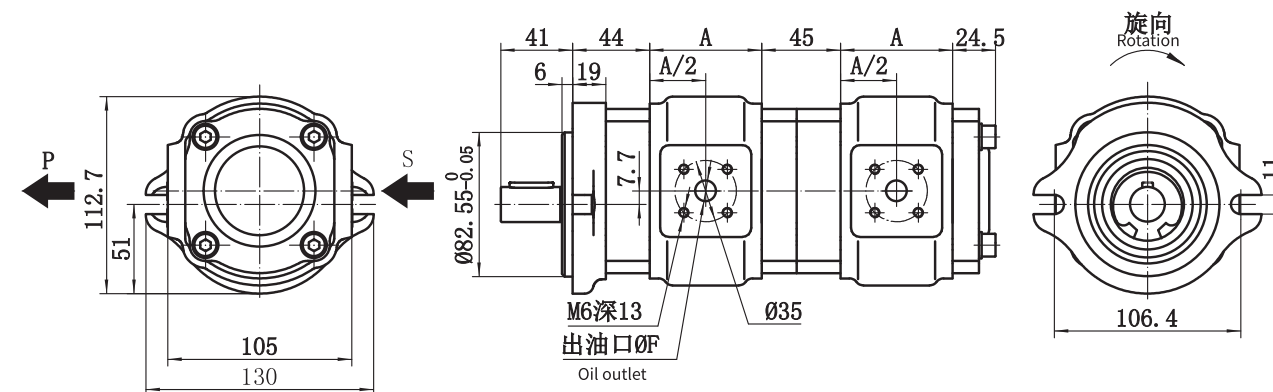
排量 Displacement	尺寸 Size	A	C
04	36		50
05	36		
06	38		
08	41		
11	47		
13	52		55
16	57		
19	64		
20	70		
22	70		
25	76		

NCB2A/2A

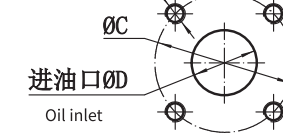


D

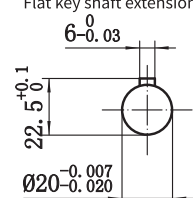
外形及连接尺寸 Configuration and Installation Dimension



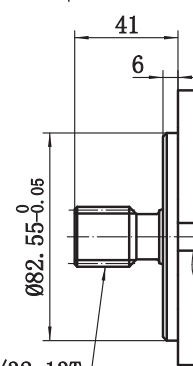
E深13  
进油口ØD  
Oil inlet



平键轴伸  
Flat key shaft extension



花键轴伸  
Spline shaft extension

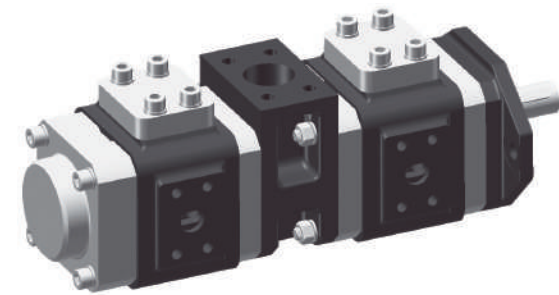
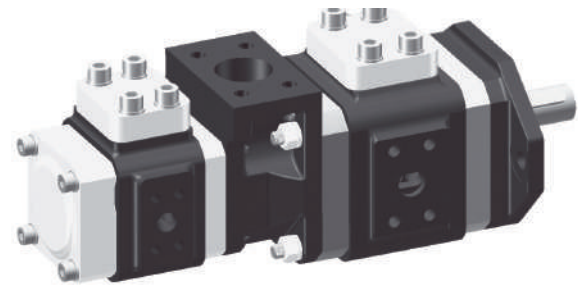


SAE16/32-13T  
SAE16/32-10T

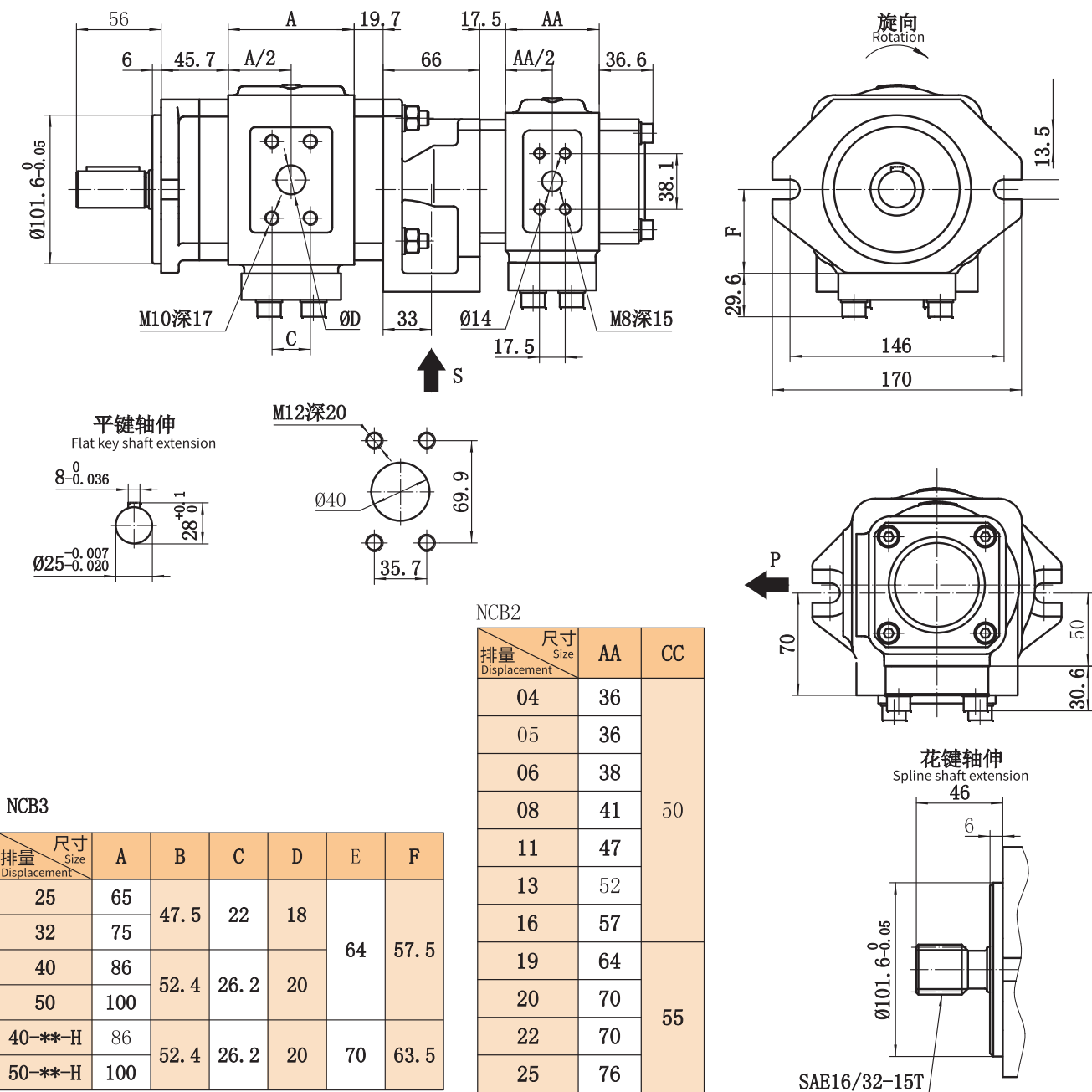
NCB2A

排量 Displacement	尺寸 Size	A	C	D	E	F
04	36					
05	36					5
06	38					
08	41		40	20	M6	7
11	47					10
13	52					
16	57					
19	64					
20	70		55	26	M8	12
22	70					
25	76					14

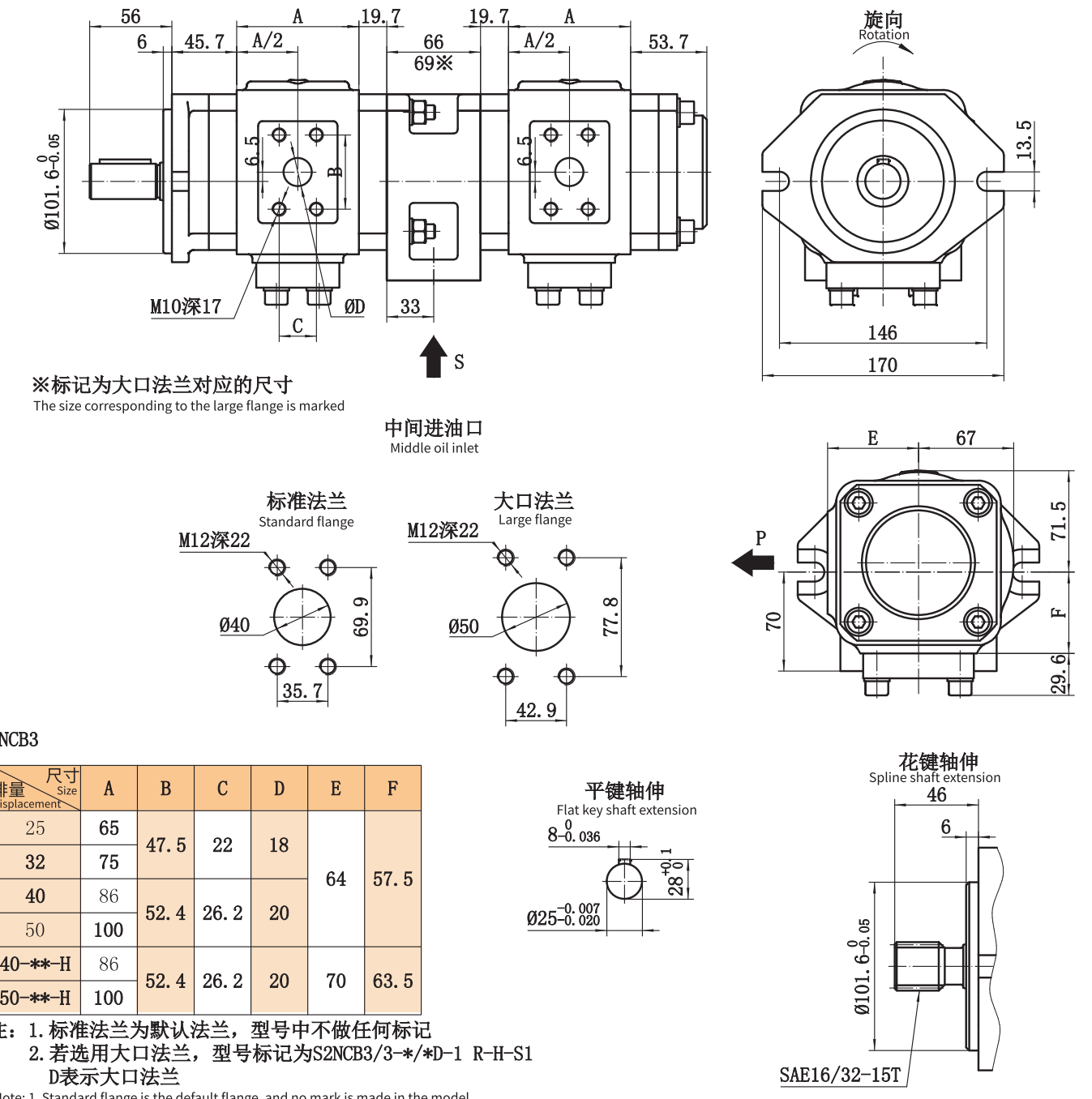
NCB3/2



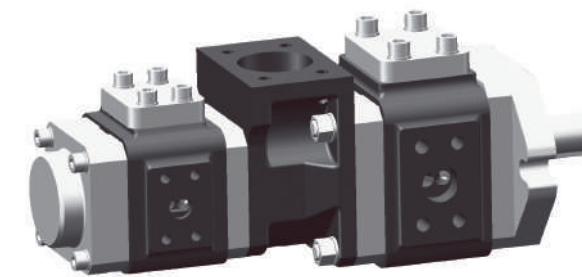
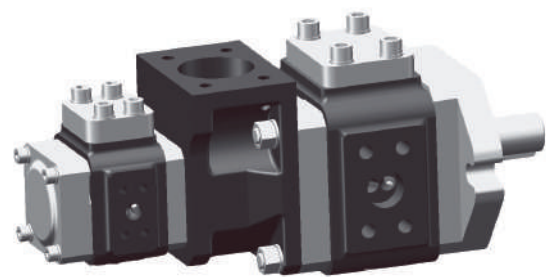
外形及连接尺寸 Configuration and Installation Dimension



外形及连接尺寸 Configuration and Installation Dimension

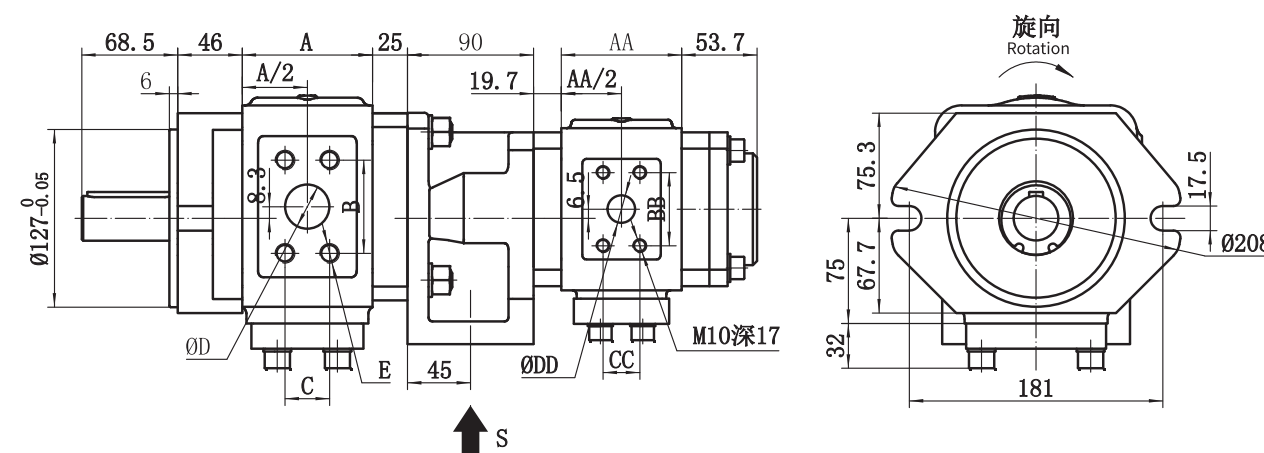
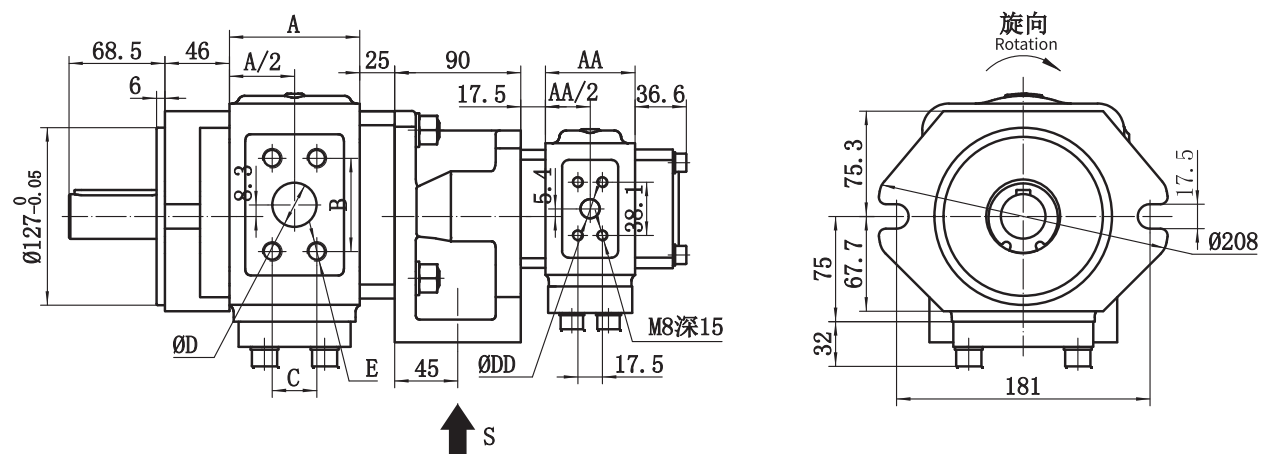


注: 1. 标准法兰为默认法兰, 型号中不做任何标记  
 2. 若选用大口法兰, 型号标记为S2NCB3/3-\*/D-1 R-H-S1  
 D表示大口法兰  
 Note: 1. Standard flange is the default flange, and no mark is made in the model.  
 2. If a wide-mouth flange is selected, the model mark is S2NCB3/3-\*/D-1 R-H-S1  
 D indicates a wide-mouth flange



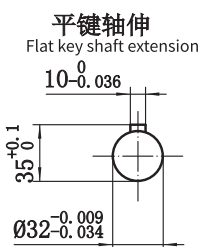
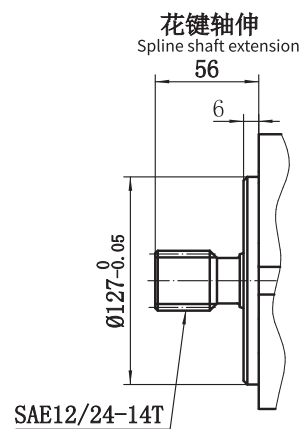
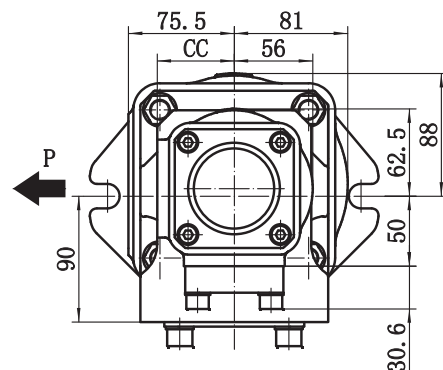
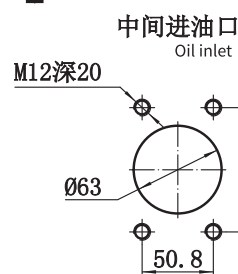
外形及连接尺寸 Configuration and Installation Dimension

外形及连接尺寸 Configuration and Installation Dimension



NCB4

Displacement 排量	A	B	C	D	E
64	81	57.2	27.8	25.4	M12深22
80	93	66.7	31.8	31.8	M14深24
100	109	66.7	31.8	31.8	M14深24

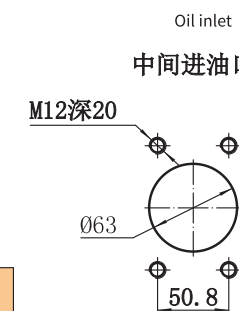


NCB2

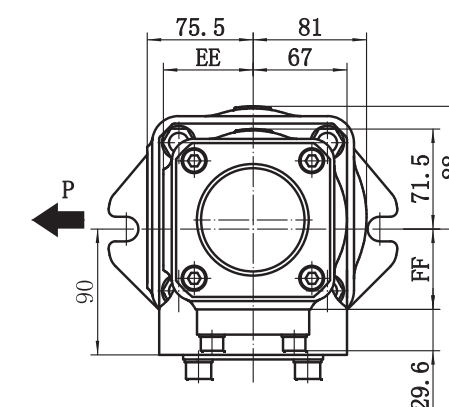
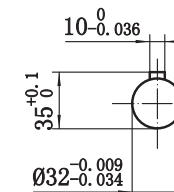
Displacement 排量	AA	CC
04	36	50
05	36	
06	38	
08	41	
11	47	
13	52	55
16	57	
19	64	
20	70	
22	70	
25	76	

NCB4

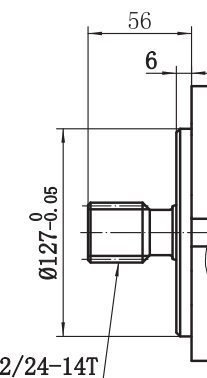
Displacement 排量	A	B	C	D	E
64	81	57.2	27.8	25.4	M12深22
80	93	66.7	31.8	31.8	M14深24
100	109	66.7	31.8	31.8	M14深24



平键轴伸  
Flat key shaft extension

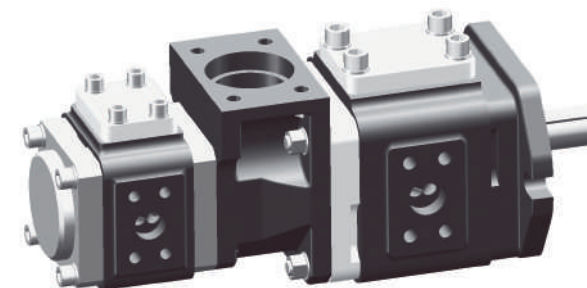
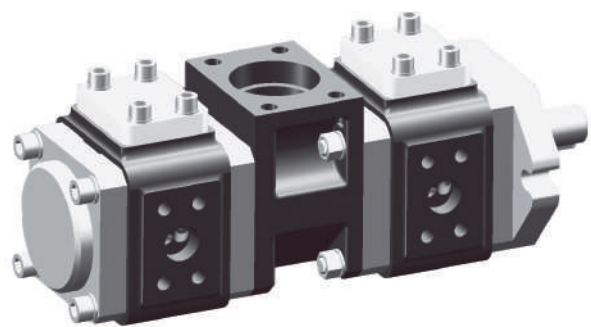


花键轴伸  
Spline shaft extension



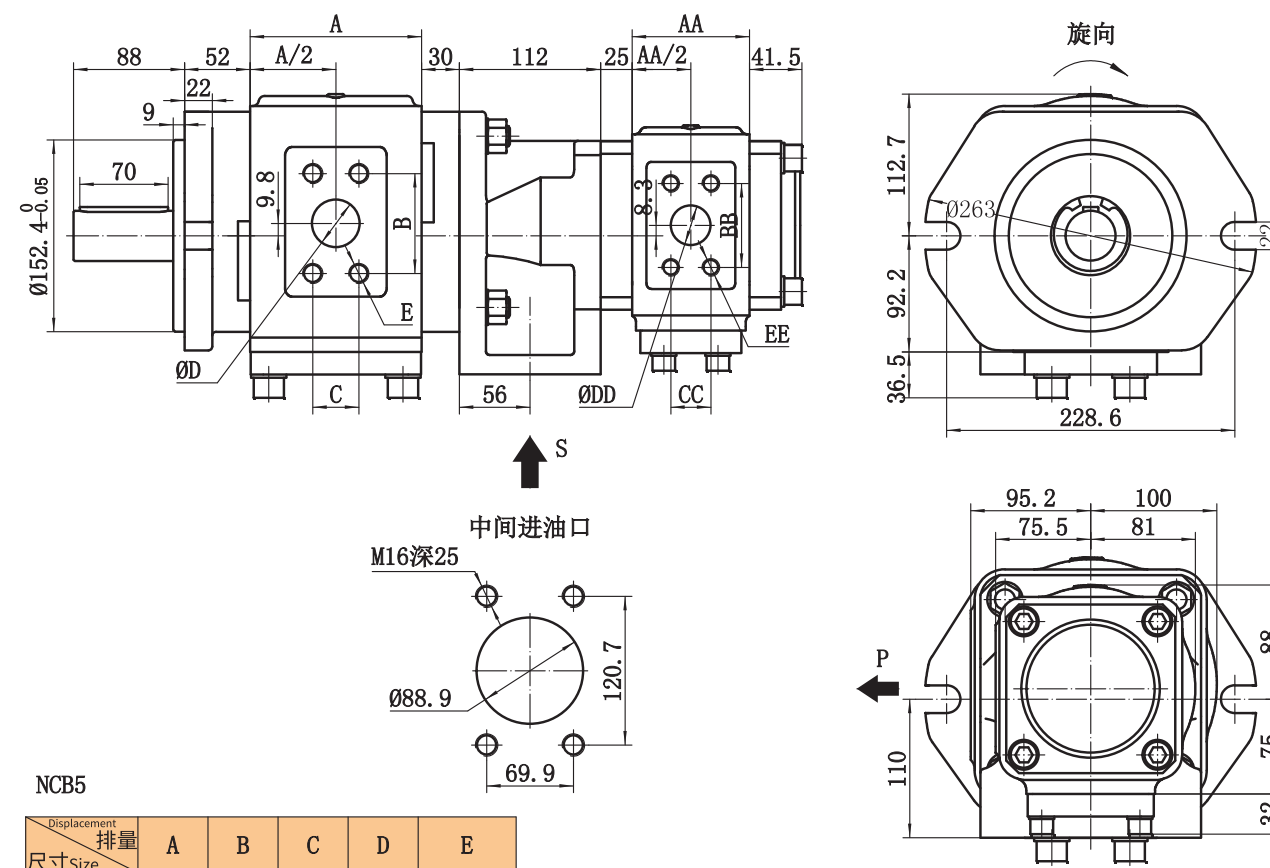
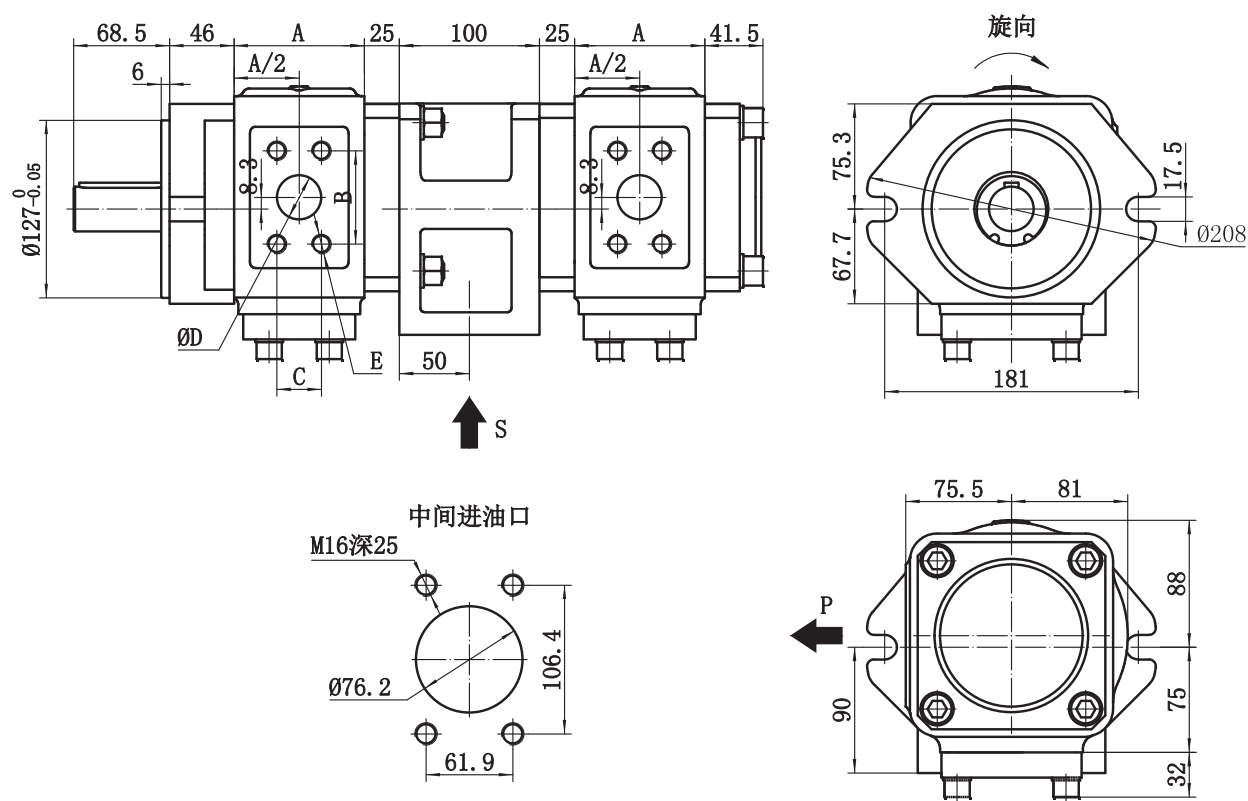
NCB3

Displacement 排量	AA	BB	CC	DD	EE	FF
25	65	47.5	22	18	64	57.5
32	75					
40	86	52.4	26.2	20		
50	100	52.4	26.2	20		
40-**-H	86	52.4	26.2	20		
50-**-H	100	52.4	26.2	20	70	63.5



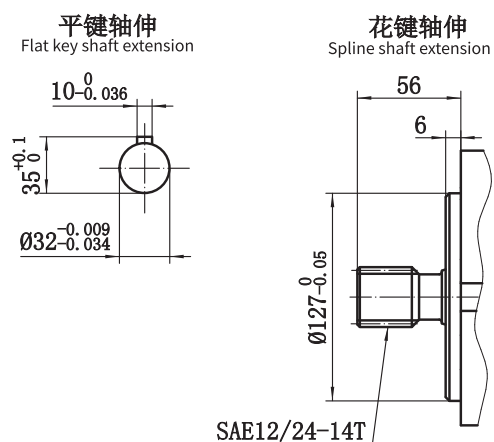
外形及连接尺寸 Configuration and Installation Dimension

外形及连接尺寸 Configuration and Installation Dimension



NCB4

Displacement 排量	A	B	C	D	E
64	81	57.2	27.8	25.4	M12深22
80	93	66.7	31.8	31.8	M14深24
100	109				

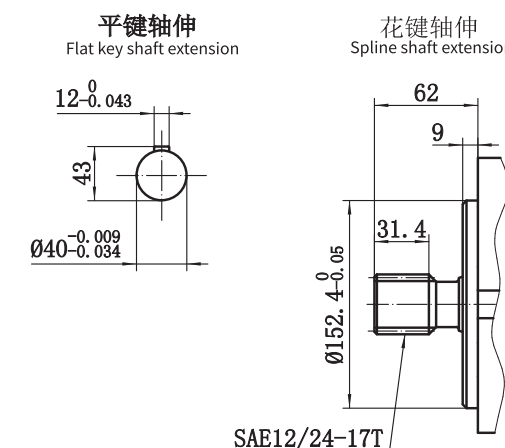


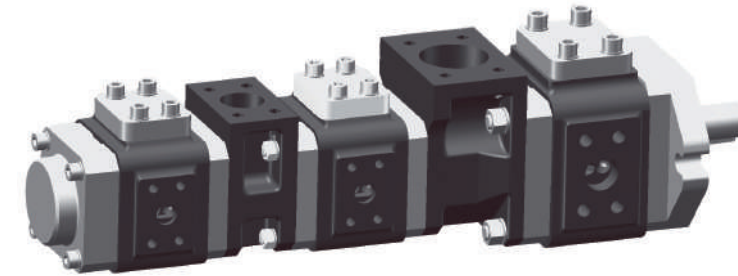
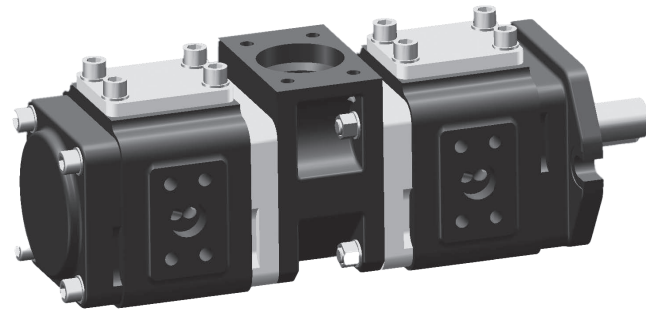
NCB5

Displacement 排量	A	B	C	D	E
80	87	69.9	35.7	31.8	M12深22
100	100				
125	115	79.4	36.5	38.1	M16深27
145	127				
160	136				

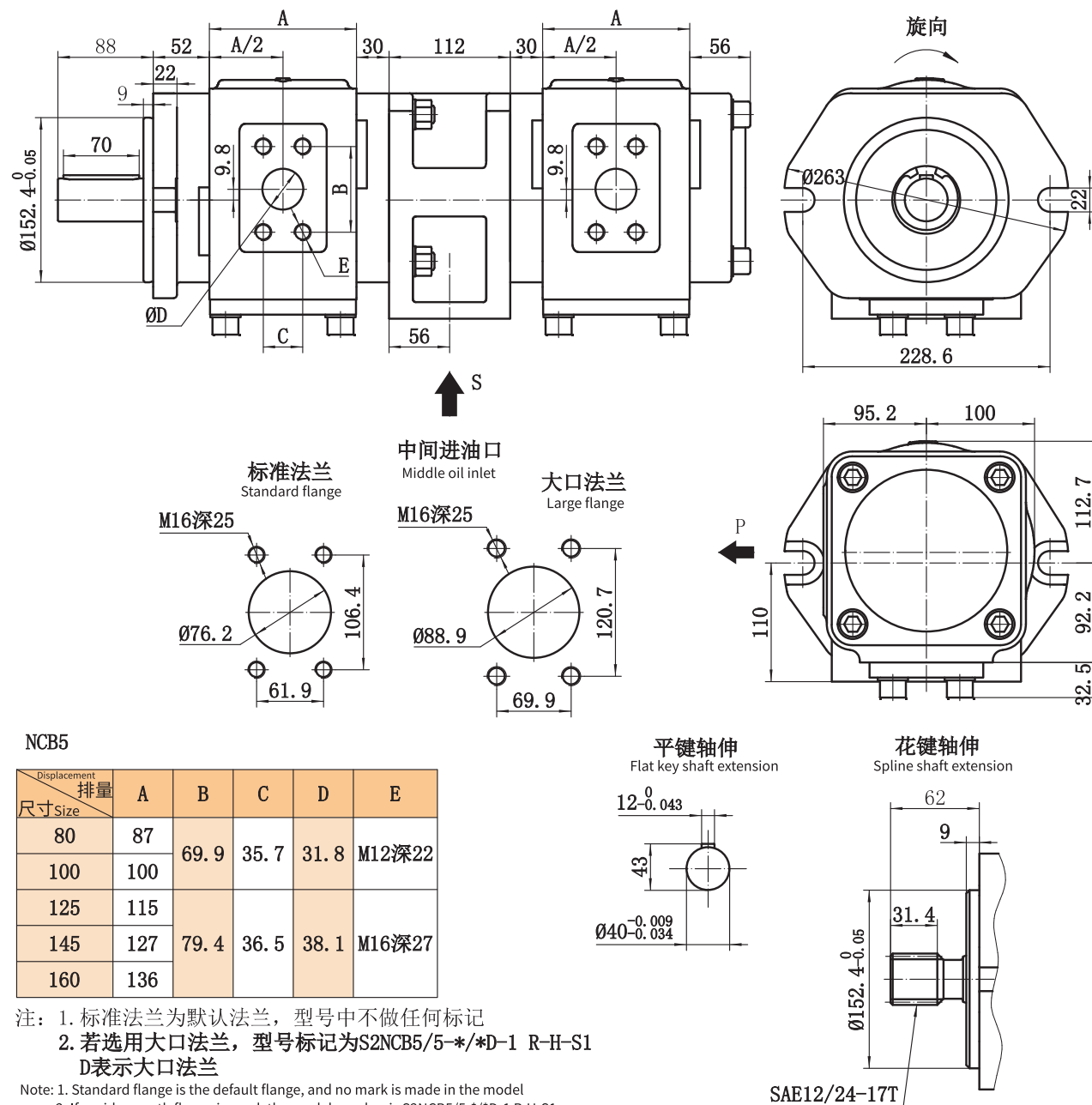
NCB4

Displacement 排量	AA	BB	CC	DD	EE
64	81	57.2	27.8	25.4	M12深22
80	93	66.7	31.8	31.8	M14深24
100	109				

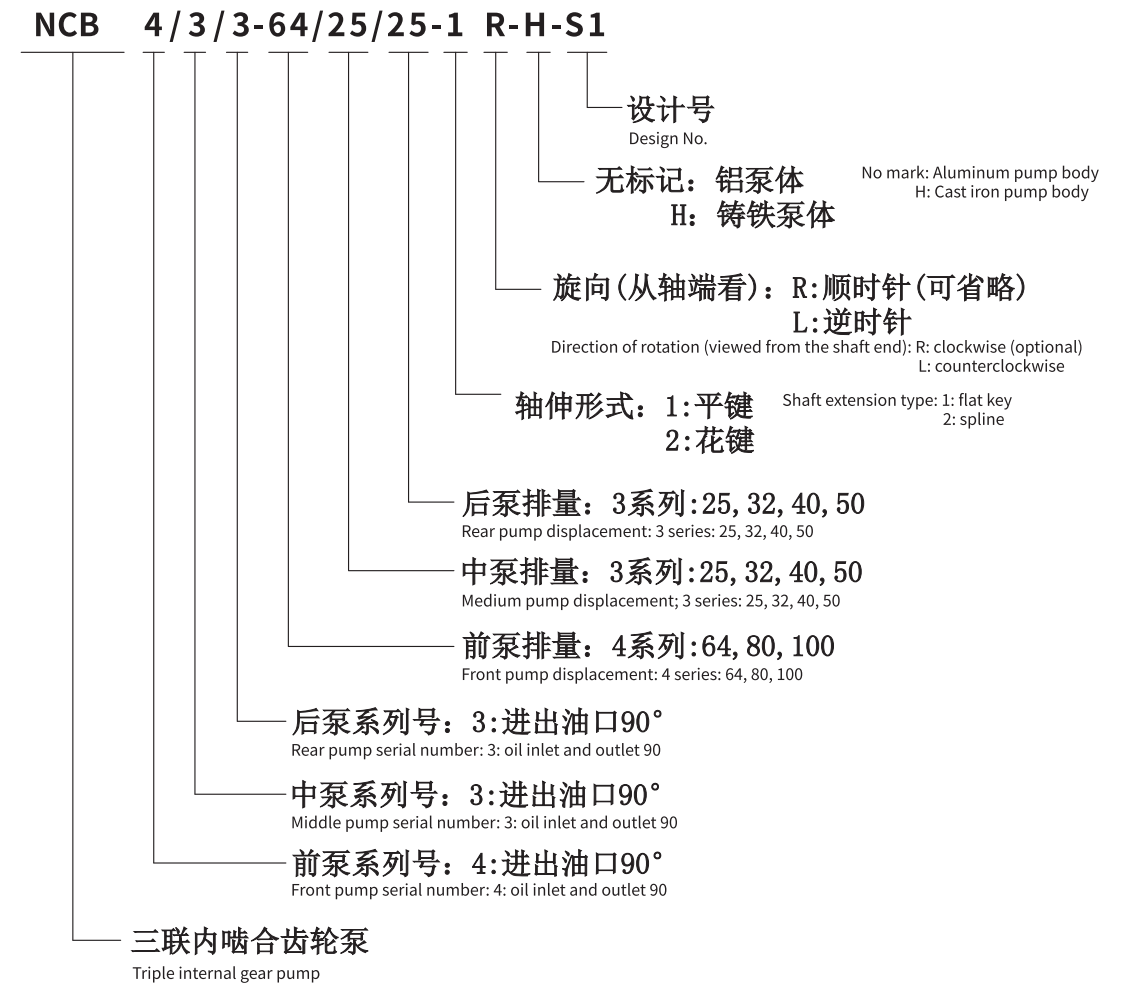


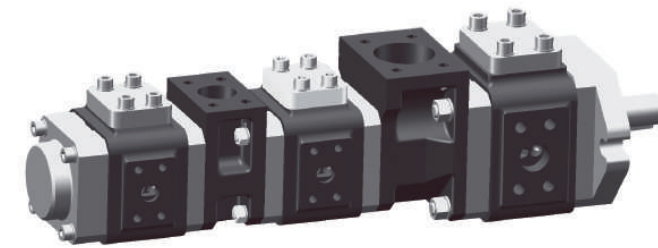
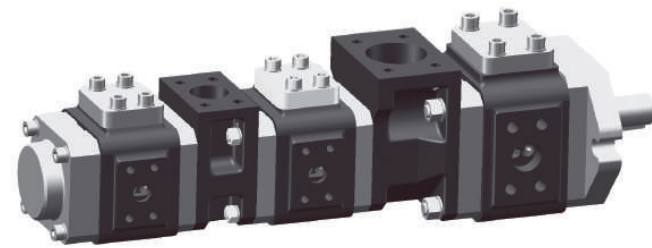


外形及连接尺寸 Configuration and Installation Dimension



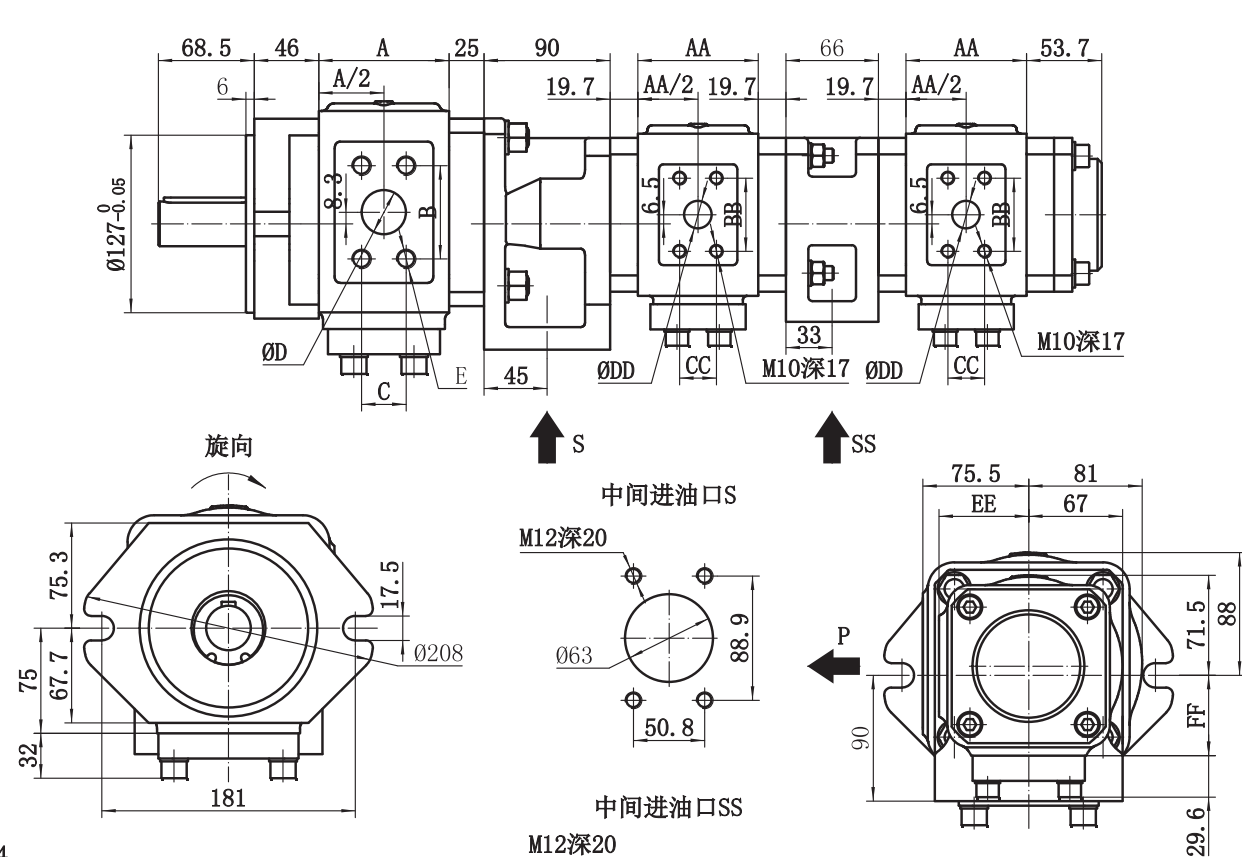
三联泵型号说明 Triple Pump Model Code





D 外形及连接尺寸 Configuration and Installation Dimension

D 外形及连接尺寸 Configuration and Installation Dimension

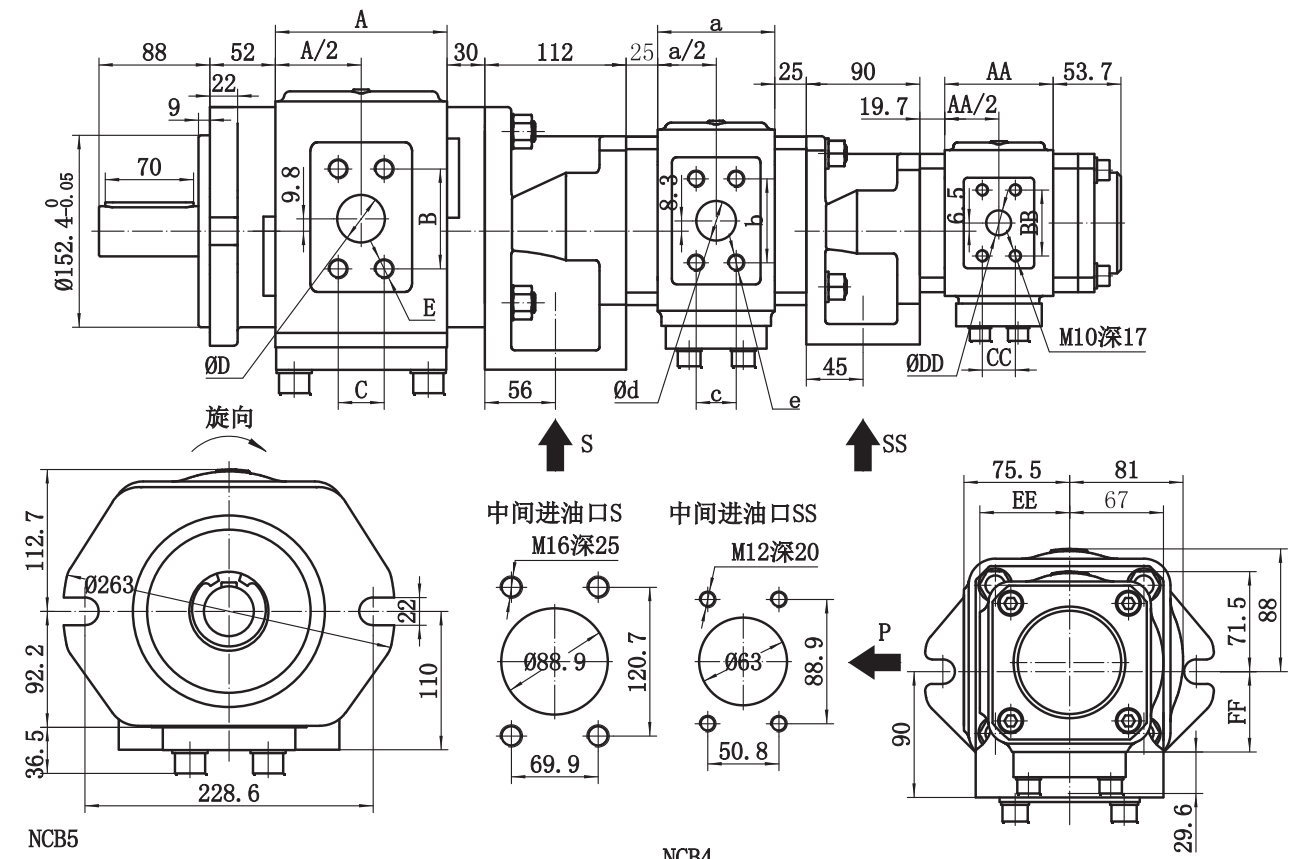
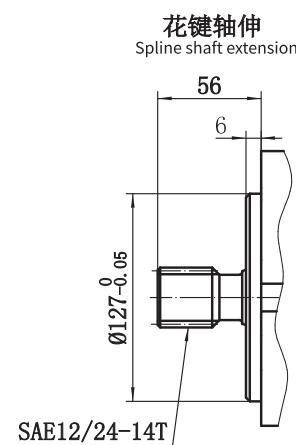
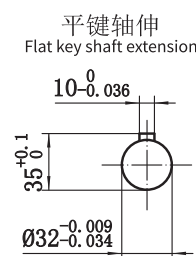


NCB4

Displacement 排量	A	B	C	D	E
64	81	57.2	27.8	25.4	M12深22
80	93	66.7	31.8	31.8	M14深24
100	109				

NCB3

Displacement 排量	AA	BB	CC	DD	EE	FF
25	65	47.5	22	18		
32	75				64	57.5
40	86	52.4	26.2	20		
50	100					
40-**-H	86	52.4	26.2	20	70	63.5
50-**-H	100					



NCB5

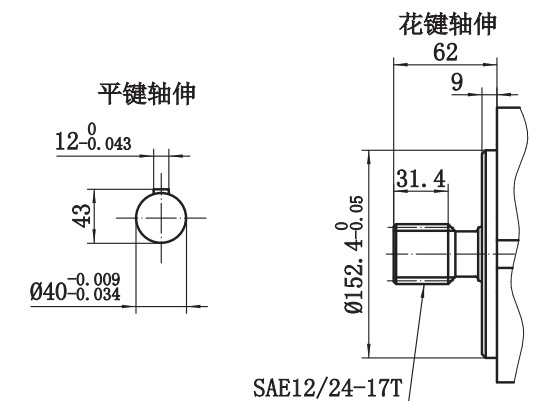
Displacement 排量	A	B	C	D	E
80	87				
100	100	69.9	35.7	31.8	M12深22
125	115				
145	127	79.4	36.5	38.1	M16深27
160	136				

NCB4

Displacement 排量	a	b	c	d	e
64	81	57.2	27.8	25.4	M12深22
80	93				
100	109	66.7	31.8	31.8	M14深24

NCB3

Displacement 排量	AA	BB	CC	DD	EE	FF
25	65	47.5	22	18		
32	75				64	57.5
40	86	52.4	26.2	20		
50	100					
40-**-H	86	52.4	26.2	20	70	63.5
50-**-H	100					

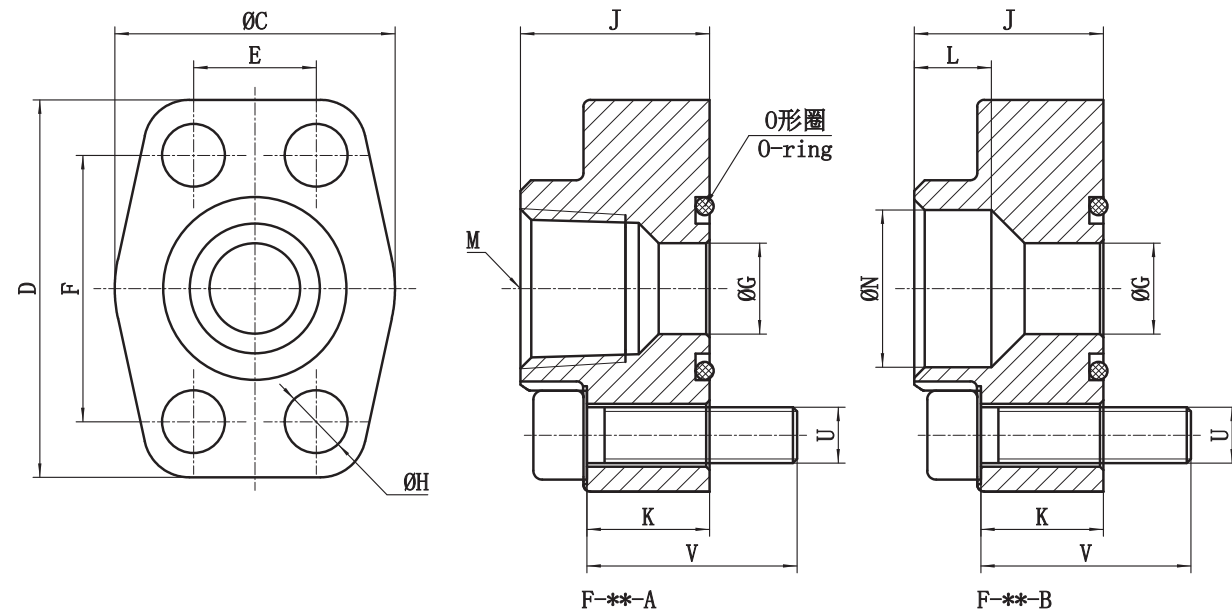


**F - 08 - A**

法兰 Flange

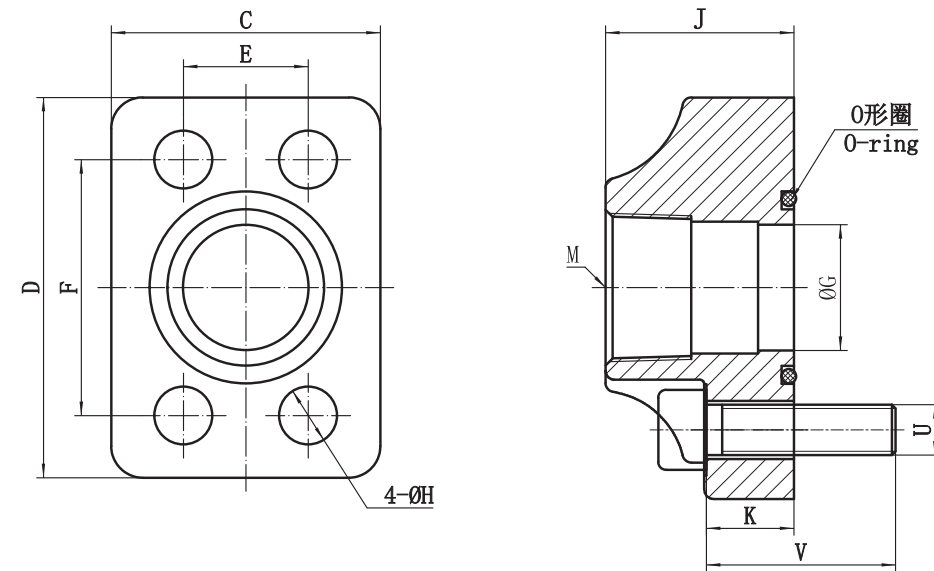
口径代号 Size code  
04, 06, 08, 10, 12, 16, 20, 24, 28  
09, 11, 13, 01, 02, 03

接管形式 Type of connection pipe  
A-螺纹连接型 Thread connection  
B-插焊型 Pipe socket welding

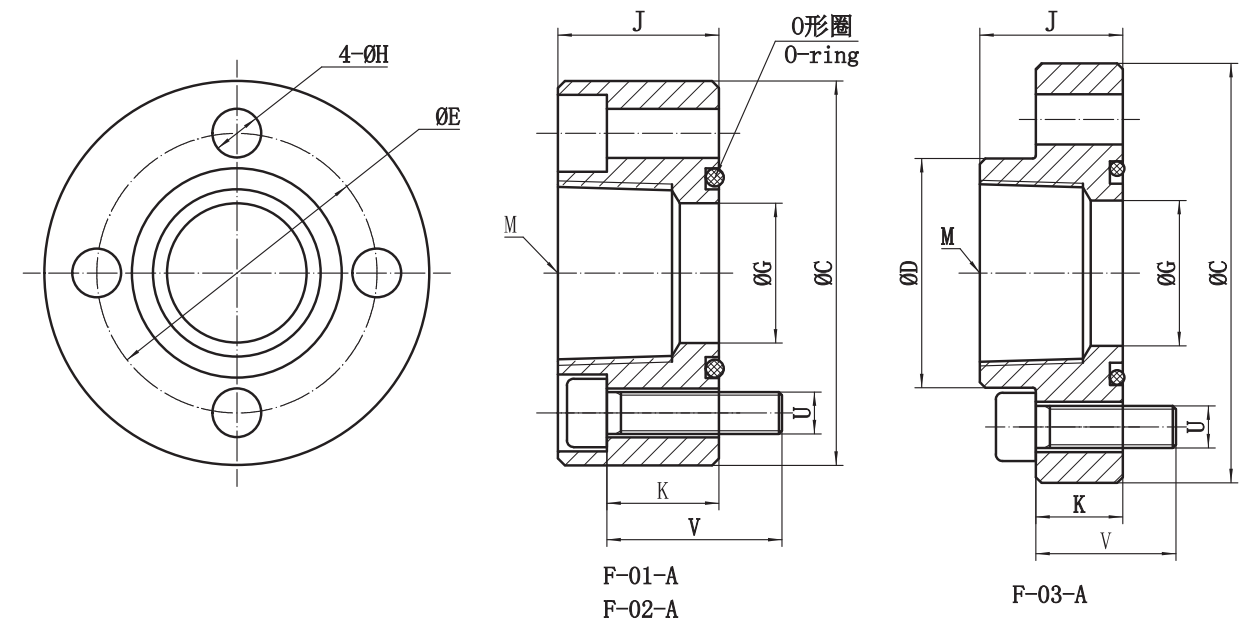


型号 Type	对应管子规格 Pipe size	尺寸 Dimension											内六角螺钉 Bolt		O形圈 O-ring
		C	D	E	F	G	H	J	K	L	M	N	U	V	
F-04-A	1/2"	40	54	17.5	38.1	13	9	27	17.5	-	Rc1/2"	-	M8	30	21.2×2.65
F-04-B		11	-	22.5	-	-	-	-	-	-	-	-	-	-	
F-06-A	3/4"	50.5	65.5	22.2	47.6	19	11	28	17.5	-	Rc3/4"	-	M10	30	30×3.55
F-06-B		12	-	28.5	-	-	-	-	-	-	-	-	-	-	
F-08-A	1"	56	71	26.2	52.4	26	11	30	18	-	Rc1"	-	M10	30	34.5×3.55
F-08-B		14	-	34.5	-	-	-	-	-	-	-	-	-	(35)	
F-10-A	1 1/4"	64.5	79.5	30.2	58.7	32	12	32	21	-	Rc1 1/4"	-	M10	35	40×3.55
F-10-B		16	-	43	-	-	-	-	-	-	-	-	-	-	
F-12-A	1 1/2"	71	94	35.7	69.9	38	13.8	37	25.5	-	Rc1 1/2"	-	M12	45	47.22×3.53
F-12-B		18	-	49.1	-	-	-	-	-	-	-	-	-	(40)	
F-16-A	2"	87.5	103	42.9	77.8	51	13.8	38	27.5	-	Rc2"	-	M12	45	63.09×3.53
F-16-B		20	-	61	-	-	-	-	-	-	-	-	-	(40)	
F-20-A	2 1/2"	96	115	50.8	88.9	63	13.8	42	28	-	Rc2 1/2"	-	M12	45	72.62×3.53
F-20-B		22	-	77.1	-	-	-	-	-	-	-	-	-	-	
F-24-A	3"	123	136	61.9	106.4	76	17	45	28.5	-	Rc3"	-	M16	50	82.5×3.55
F-24-B		25	-	90	-	-	-	-	-	-	-	-	-	-	
F-28-A	3 1/2"	135	153	69.9	120.7	89	17.5	46	28.5	-	Rc3 1/2"	-	M16	50	98.02×3.53
F-28-B		20	-	102.8	-	-	-	-	-	-	-	-	-	-	

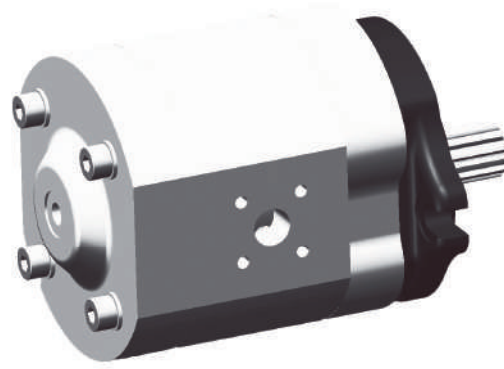
法兰型号说明 Flange Model Code



型号 Type	对应管子规格 Pipe size	尺寸 Dimension										内六角螺钉 Bolt		O形圈 O-ring
		C	D	E	F	G	H	J	K	M	U	V		
F-09-A	1"	60	85	27.8	57.2	28	13	42	19.5	Rc1"	M12	40	36.09×3.53	
F-11-A	1 1/4"	70	100	31.8	66.7	37	15.2	42	19.8	Rc1 1/4"	M14	40	43×3.5	
F-13-A	1 1/2"	70	115	36.5	79.4	38	17.5	40	19.8	Rc1 1/2"	M16	50	47.5×3.55	



型号 Type	对应管子规格 Pipe size	尺寸 Dimension										内六角螺钉 Bolt		O形圈 O-ring
		C	D	E	G	H	J	K	M	U	V			
F-01-A	1/2"	50	-	35	16	7	23	14	Rc1/2"	M6	25	20×2.65		
F-02-A	3/4"	55	-	40	20	7	23	14	Rc3/4"	M6	25	24.3×2.65		
F-03-A	1"	75	41	55	26	9	25.5	15.5	Rc1"	M8	25	34.4×3.1		



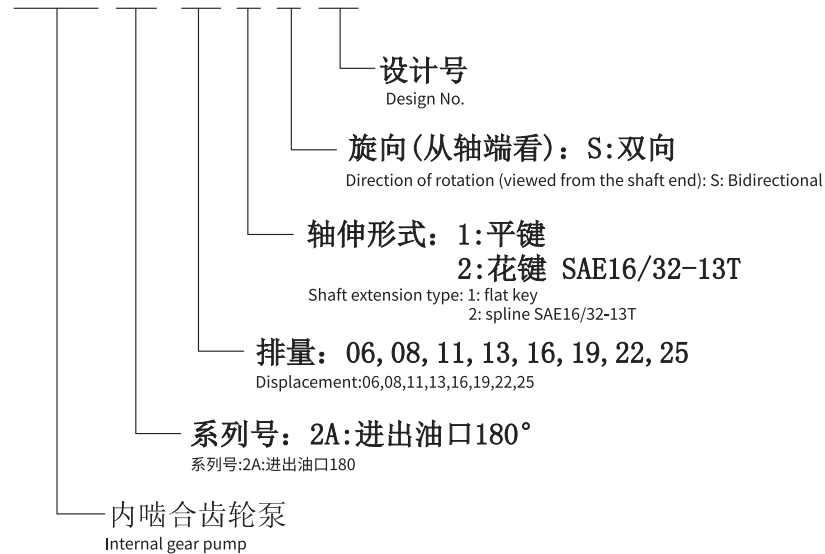
SNCB4技术参数 Technical Data

排量号 Displacement No.	80	100	100	125	125	145	160	160
理论排量(mL/r)	80.0	101.2	101.2	125.7	125.7	145.3	160.1	160.1
额定压力(MPa)	25							
最高压力(MPa)	33				28			
转速范围(r/min)	200-2200				200-2000		200-1800	
工作粘度(mm <sup>2</sup> /s)	10-300							
工作温度(°C)	-20至+80							
工作介质 Working medium	VG46-68抗磨液压油 VG46-68 anti-wear hydraulic oil							
清洁度 Cleanliness	9级(NAS1638)或20/18/15(ISO4066) Level 9 (NAS1638) or 20/18/15 (ISO4066)							
吸油口压力(MPa)	0.06-0.20							
容积效率(%) Volumetric efficiency	86		88			90		
噪声(dB)	54	56	57	58	59	59	60	61

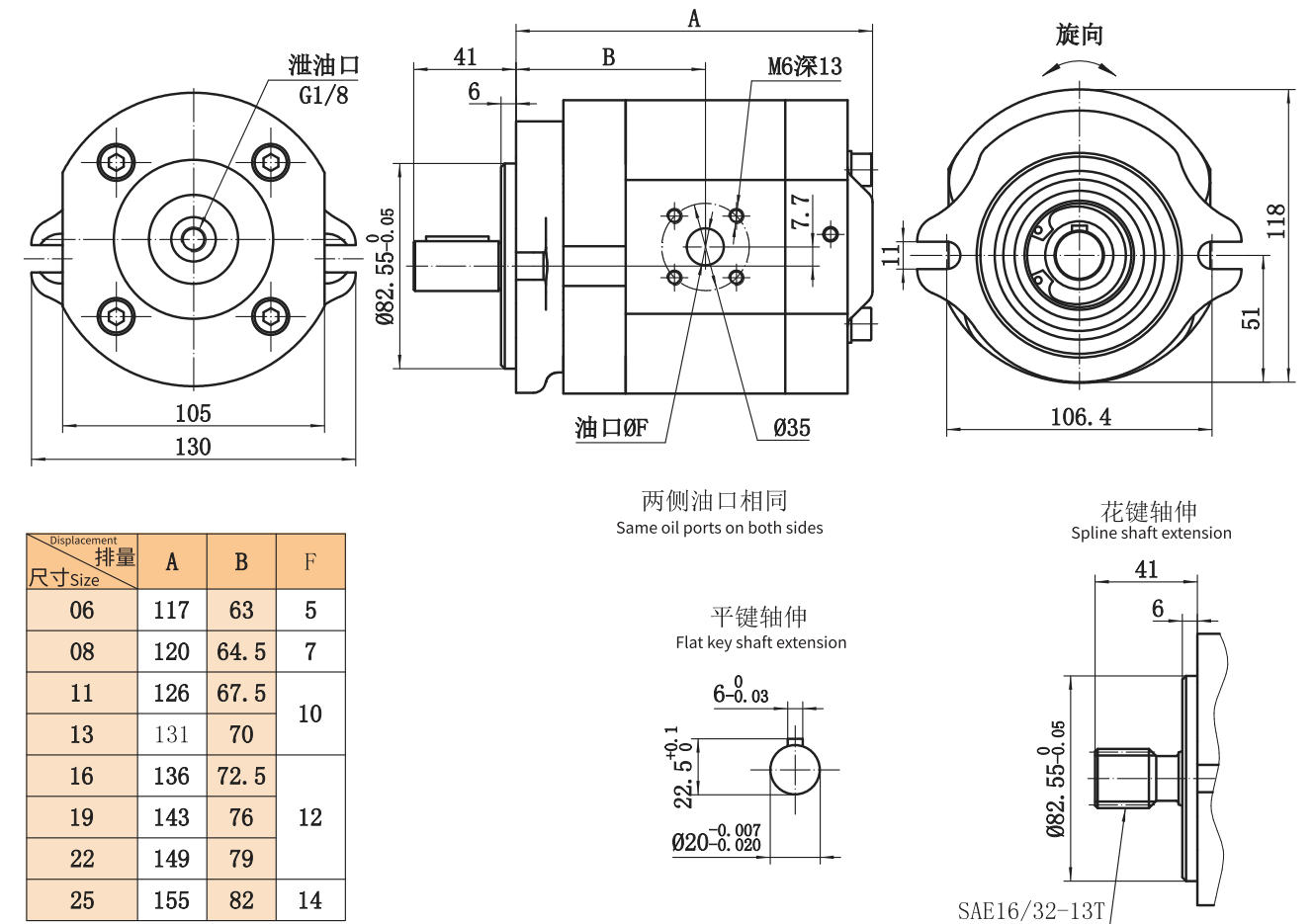
噪声值是在n=1450r/min, Ap=25MPa, T=50°C, 使用介质为46#抗磨液压油, 与泵距离为1m所测得  
The noise value is measured at n=1450r/min, Ap=25MPa, T=50°C, using 46# anti-wear hydraulic oil as the medium, and the distance from the pump is 1m.

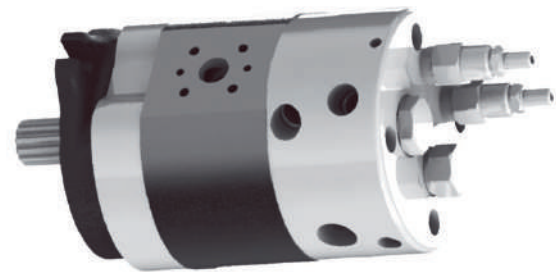
型号说明 Model Code

NCB 2A -19 -1 S -S2



外形及连接尺寸 Configuration and Installation Dimension





NCB4技术参数 Technical Data

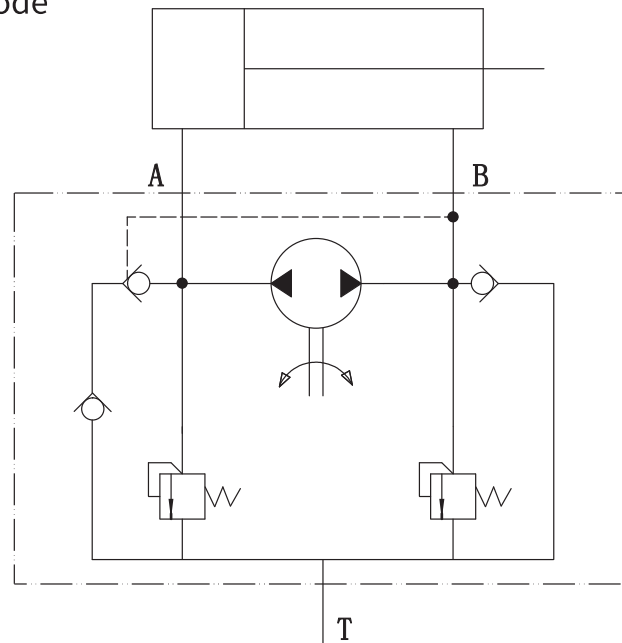
排量号 Displacement No.	06	0.8	11	13	16	19	22	25
理论排量(mL/r)	6.4	7.9	10.9	13.3	15.8	19.3	22.2	25.2
额定压力(MPa)	25							
最高压力(MPa)	30				28			
转速范围(r/min)	200-2200				200-2000		200-1800	
工作粘度(mm <sup>2</sup> /s)	10-300							
工作温度(°C)	-20至+80							
工作介质 Working medium	VG46-68抗磨液压油				VG46-68 anti-wear hydraulic oil			
清洁度 Cleanliness	9级(NAS1638)或20/18/15(ISO4066) Level 9 (NAS1638) or 20/18/15 (ISO4066)							
吸油口压力(MPa)	0.06-0.20							
容积效率 (%) Volumetric efficiency	86		88			90		
噪声(dB)	54	56	57	58	59	59	60	61

噪声值是在n=1450r/min, Ap=25MPa, T=50°C, 使用介质为46#抗磨液压油, 与泵距离为1m所测得  
The noise value is measured at n=1450r/min, Ap=25MPa, T=50°C, using 46# anti-wear hydraulic oil as the medium, and the distance from the pump is 1m.

D

D

型号说明 Model Code



NCB 2A-19-1 S-XS20

设计号(带单出杆油缸补油溢流系统, 见上图)  
Design number (with single-rod cylinder oil replenishment overflow system, see the figure above)

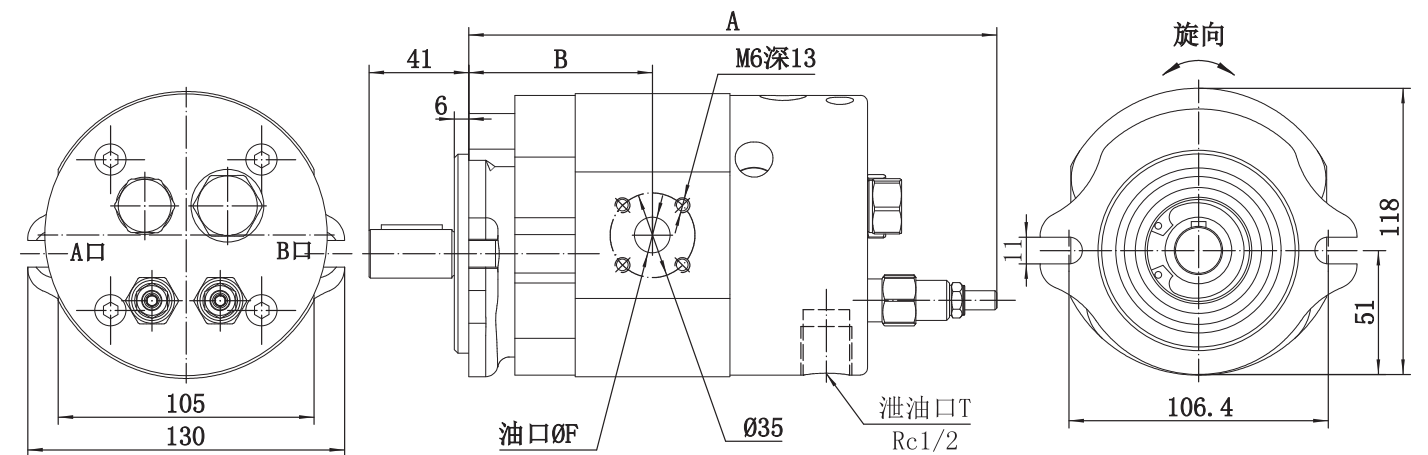
旋向(从轴端看): S:双向  
Direction of rotation (viewed from the shaft end): S: Bidirectional

轴伸形式: 1:平键  
2:花键 SAE16/32-13T  
Shaft extension type: 1: flat key  
2: spline SAE16/32-13T

排量: 06, 08, 11, 13, 16, 19, 22, 25  
Displacement: 06, 08, 11, 13, 16, 19, 22, 25

系列号: 2A: 进油口180°  
Serial number: 2A: oil inlet and outlet 180°

内啮合齿轮泵  
Internal gear pump



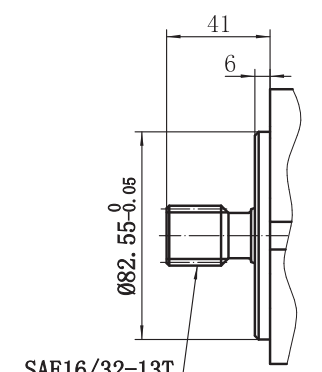
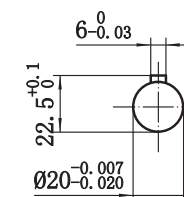
两侧油口相同

T口液面必须高于  
泵进出油口

花键轴伸

平键轴伸

Displacement 尺寸 Size	排量	A	B	F
06	192	63	5	
08	195	64.5	7	
11	201	67.5	10	
13	206	70	12	
16	211	72.5	14	
19	218	76		
22	224	79		
25	230	82		



# QT系列齿轮泵

QT Series Gear Pump

## 技术参数 Technical Parameters

QT泵是一种用于低粘度液体的内啮合齿轮泵。通过使用串联连接的多个泵级,可以在大约1mm<sup>2</sup>/s(CST)的粘度下以高效率产生高达250Kg的压力。

该泵基于上航内啮合齿轮泵,其特点是噪音极低,压力脉动几乎察觉不到。大量精密间隙确保每级泵始终可以按要求正常运行。

QT泵成功地用于泵送航空喷气燃料、汽车燃料、船用燃料、石蜡油、煤油、柴油、制动液、切削液、水乙二醇、稀油、Pentosin、HFA液体等特殊介质。根据应用要求,最多可串联五个泵级。

The QT pump is an internal gear pump for low viscosity liquids. By using several pump stages connected in series, pressures up to 250Kg can be generated with high efficiency at viscosities of about 1mm<sup>2</sup>/s (CST).

The pump is based on the Shanghang internal gear pump, which is characterized by extremely low noise and almost imperceptible pressure pulsations. A large number of precision clearances ensure that each pump stage can always operate normally as required.

The QT pump is successfully used to pump special media such as aviation jet fuel, automobile fuel, marine fuel, paraffin oil, kerosene, diesel, brake fluid, cutting fluid, water glycol, thin oil, Pentosin, HFA liquids, etc. Depending on the application requirements, up to five pump stages can be connected in series.



## 产品优点 product advantages

1. 噪音低
2. 压力脉动小
3. 在大约1mm<sup>2</sup>/s(CST)的粘度下,可以产生最高250Kg的压力。
4. 多级串联可以确保每一级泵的低压负载,从而提供出色的效率
5. 复合轴承的应用,使用寿命长
6. 磨损低,因为齿圈由流体静力支撑
7. 优化的流道截面和特殊的齿轮齿形降低了对气穴的敏感性
8. 使用寿命长,因为滚珠轴承在工作流体外壳之外
9. 铸件经过氧化处理,具有良好的耐磨性能和防腐性能。

1. Low noise
2. Small pressure pulsation
3. At a viscosity of about 1mm<sup>2</sup>/s (CST), it can generate a maximum pressure of 250Kg.
4. Multi-stage series connection can ensure low pressure load of each stage pump, thus providing excellent efficiency
5. Application of composite bearings, long service life
6. Low wear, because the gear ring is supported by fluid static force
7. Optimized flow channel section and special gear tooth shape reduce sensitivity to cavitation
8. Long service life, because the ball bearing is outside the working fluid housing
9. The casting is oxidized and has good wear resistance and corrosion resistance.

## 技术参数 Technical Parameters

安装方式:法兰连接

旋转方向:右旋(正转)

驱动方式:联轴器连接

过滤精度:5u

粘度范围:0.8~10mm<sup>2</sup>/S(CST)

介质温度:-40~80°C

最小入口压力:0.85~2bar

Installation method: flange connection

Rotation direction: right rotation (forward)

Drive method: coupling connection

Filter accuracy: 5u

Viscosity range: 0.8~10mm<sup>2</sup>/S (CST)

Medium temperature: -40~80°C

Minimum inlet pressure: 0.85~2bar

压力范围 Pressure Range	2	3	4	5	6	2-6
工作压力(kg)	50	100	150	200	250	
排量cm <sup>3</sup> /转	型号 Model	型号 Model	型号 Model	型号 Model	型号 Model	转速范围 Speed range
005	QT-22-005	QT-23-005	QT-24-005	QT-25-005	QT-26-005	1500-3600
006	QT-32-006	QT-33-006	QT-34-006	QT-35-006	QT-36-006	1500-3600
008	QT-32-008	QT-23-008	QT-24-008	QT-25-008	QT-26-008	
010	QT-32-010	QT-33-010	QT-34-010	QT-25-010	QT-36-010	
012	QT-32-012	QT-33-012	QT-34-012	QT-35-012	QT-36-012	
016	QT-32-016	QT-33-016	QT-34-016	QT-35-016	QT-36-016	1500-3600
020	QT-42-020	QT-43-020	QT-44-020	QT-45-020	QT-46-020	
025	QT-42-025	QT-43-025	QT-44-025	QT-45-025	QT-46-025	
032	QT-42-032	QT-43-032	QT-44-032	QT-45-032	QT-46-032	
040	QT-52-040	QT-53-040	QT-54-040	QT-55-040	QT-56-040	1500-3600
050	QT-52-050	QT-53-050	QT-54-050	QT-55-050	QT-56-050	
063	QT-52-063	QT-53-063	QT-54-063	QT-55-063	QT-56-063	
060	QT-62-080	QT-63-080	QT-64-080	QT-65-080	QT-66-080	
100	QT-62-100	QT-63-100	QT-64-100	QT-65-100	QT-66-100	1500-3600
125	QT-62-125	QT-63-125	QT-64-125	QT-65-125	QT-66-125	
160	QT-62-160	QT-63-160	QT-64-160	QT-65-160	QT-66-160	1200-1800

※ 以上QT系列均为特殊泵,需提前订货。

※ 如需特殊规格,请联系上航齿轮泵进行定制。

※ The above QT series are all special pumps and need to be ordered in advance.

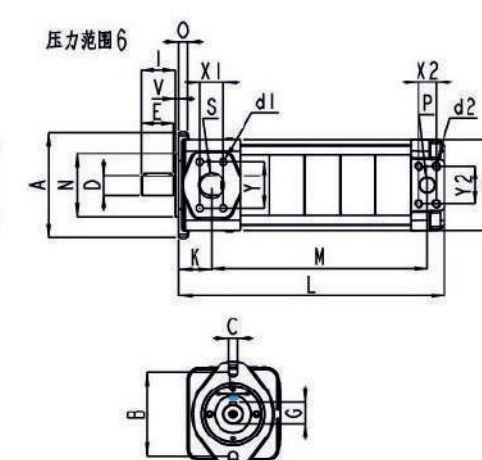
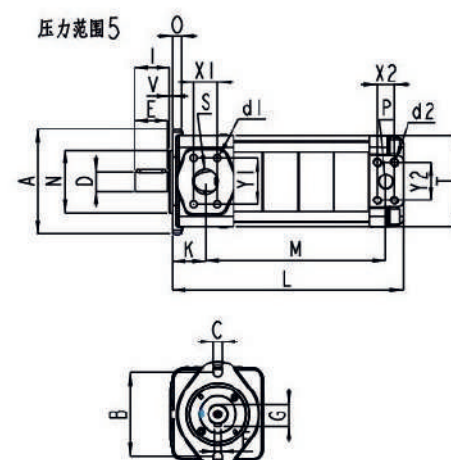
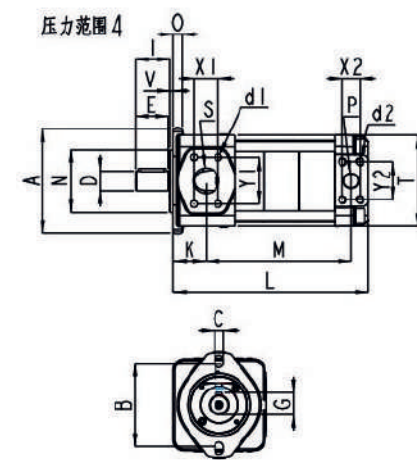
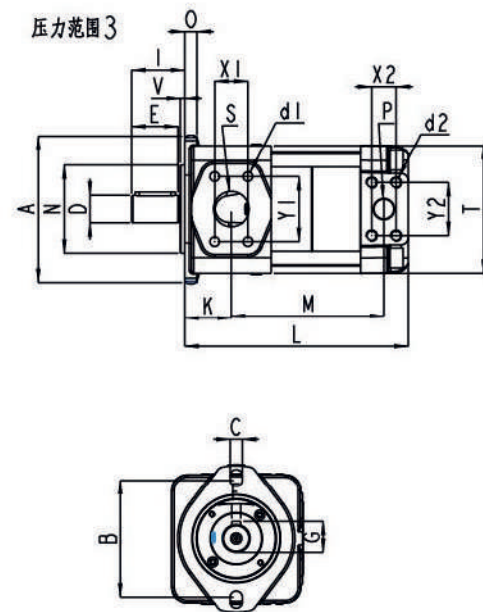
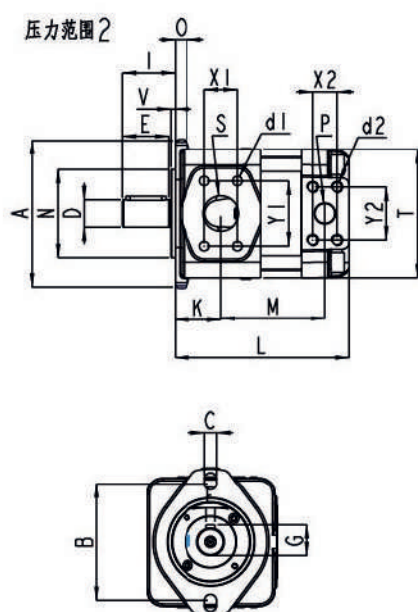
※ If you need special specifications, please contact Shanghang Gear Pump for customization.

压力范围2/3

系列号 Serial Number	QT3		QT4		QT5		QT6		QT8						
	压力范围 Pressure Range		压力范围 Pressure Range		压力范围 Pressure Range		压力范围 Pressure Range		压力范围 Pressure Range						
尺寸 Size	排量 Displacement		排量 Displacement		排量 Displacement		排量 Displacement		排量 Displacement						
压力范围	2 (50kg) 3 (100kg)		2 (50kg) 3 (100kg)		2 (50kg) 3 (100kg)		2 (50kg) 3 (100kg)		2 (50kg) 3 (100kg)						
尺寸	6	8	10	12	16	20	25	32	40	50	63	80	100	125	160
S	φ32		φ38		φ51		φ63		φ63						
P	φ19		φ25		φ32		φ38		φ38						
R(外泄口) R (external discharge port)	G1/4		G1/4		G1/4		G3/8		G3/8						
A	134		172		214		266		266						
B-英制 B-Imperial	106		146		181		229		229						
B-公制 B-Metric	109		140		180		224		224						
C	11		14		18		22		22						
N-英制 N-Imperial	φ82.55		φ101.6		φ127		φ152.4		φ152.4						
N-公制 N-Metric	φ80		φ100		φ125		φ160		φ160						
O	12		16		20		25		25						
V	4		7		7		7		7						
D	φ25j6		φ32j6		φ40j6		φ50j6		φ50j6						
E	42		58		75		80		80						
F	8		10		12		14		14						
G	28		35		43		53.5		53.5						
I	48		68		85		90		90						
K	42		47		53		62		62						
L	158	203	186	242	219	289	277	367	289	391					
M	94	139	112	168	135	205	172.5	262.5	184.5	286.5					
T	116		142		172		218		218						
X1	30		36		43		51		51						
Y1	59		70		78		89		89						
d1	M10*25		M12*30		M12*25		M12*30		M12*30						
X2	22		26		30		36		36						
Y2	48		52		59		70		70						
d2	M10*25		M10*25		M10*25		M12*30		M12*30						
重量 (kg)	12	15	22	28	38	50	75	99	76	101					

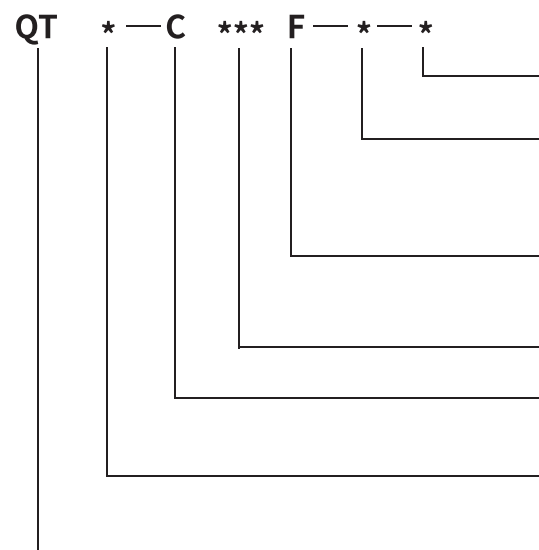
压力范围4/5/6 Pressure range 4/5/6

系列号 Serial Number	QT3			QT4			QT5			QT6			QT8		
	压力范围 Pressure Range			压力范围 Pressure Range			压力范围 Pressure Range			压力范围 Pressure Range			压力范围 Pressure Range		
尺寸 Size	排量 Displacement			排量 Displacement			排量 Displacement			排量 Displacement			排量 Displacement		
压力范围	4 (150kg) 5 (200kg) 6 (250kg)			4 (150kg) 5 (200kg) 6 (250kg)			4 (150kg) 5 (200kg) 6 (250kg)			4 (150kg) 5 (200kg) 6 (250kg)			4 (150kg) 5 (200kg) 6 (250kg)		
尺寸	6	8	10	12	16	20	25	32	40	50	63	80	100	125	160
S	φ32			φ38			φ51			φ63			φ63		
P	φ19			φ25			φ32			φ38			φ38		
R(外泄口) R (external discharge port)	G1/4			G1/4			G1/4			G3/8			G3/8		
A	134			172			214			266			266		
B-英制 B-Imperial	106			146			181			229			229		
B-公制 B-Metric	109			140			180			224			224		
C	11			14			18			22			22		
N-英制 N-Imperial	φ82.55			φ101.6			φ127			φ152.4			φ152.4		
N-公制 N-Metric	φ80			φ100			φ125			φ160			φ160		
O	12			16			20			25			25		
V	4			7			7			7			7		
D	φ25j6			φ32j6			φ40j6			φ50j6			φ50j6		
E	42			58			75			80			80		
F	8			10			12			14			14		
G	28			35			43			53.5			53.5		
I	48			68			85			90			90		
K	42			47			53			62			62		
L	248	293	338	298	354	410	359	429	499	457	547	637	493	595	697
M	184	229	274	224	280	336	275	345	415	352	442.5	532.5	388.5	490.5	592.5
T	116			142			172			218			218		
X1	30			36			43			51			51		
Y1	59			70			78			89			89		
d1	M10*25			M12*30			M12*25			M12*30			M12*30		
X2	22			26			30			36			36		
Y2	48			52			59			70			70		
d2	M10*25			M10*25			M10*25			M12*30			M12*30		
重量 (kg)	18	21	24	34	40	46	62	74	86	123	147	171	126	151	176



# QT系列低压齿轮泵

QT Series Low Pressure Gear Pump



公英制:无标记的为公制,“E”为英制出油  
Metric and Imperial: No mark is metric, “E” is imperial

出油口方向:2、3系列1、3  
4、5系列1、2、3、4  
Oil outlet direction: 2, 3 series 1, 3  
4, 5 series 1, 2, 3, 4

连接方式:法兰连接,符合GB2353.1-80  
液压泵和液压马达安装法兰和轴尺寸  
系列和标记(ISO3019/2)  
Connection method: flange connection, in accordance with GB2353.1-80  
Hydraulic pump and hydraulic motor mounting flange and shaft dimensions  
Series and markings (ISO3019/2)

公称排量  
Nominal displacement

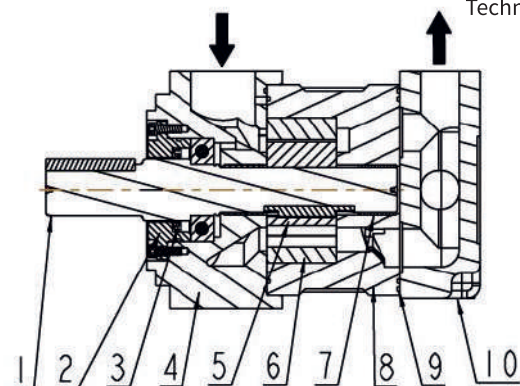
压力参数(额定压力):6.3MPa  
Pressure parameter (rated pressure): 6.3MPa

系列代号:2、3、4、5  
Series code: 2, 3, 4, 5

型式代号:直线共轭内啮合齿轮泵  
Type code: Linear conjugate internal gear pump

## 单级低压泵技术参数

Technical parameters of single-stage low-pressure pump



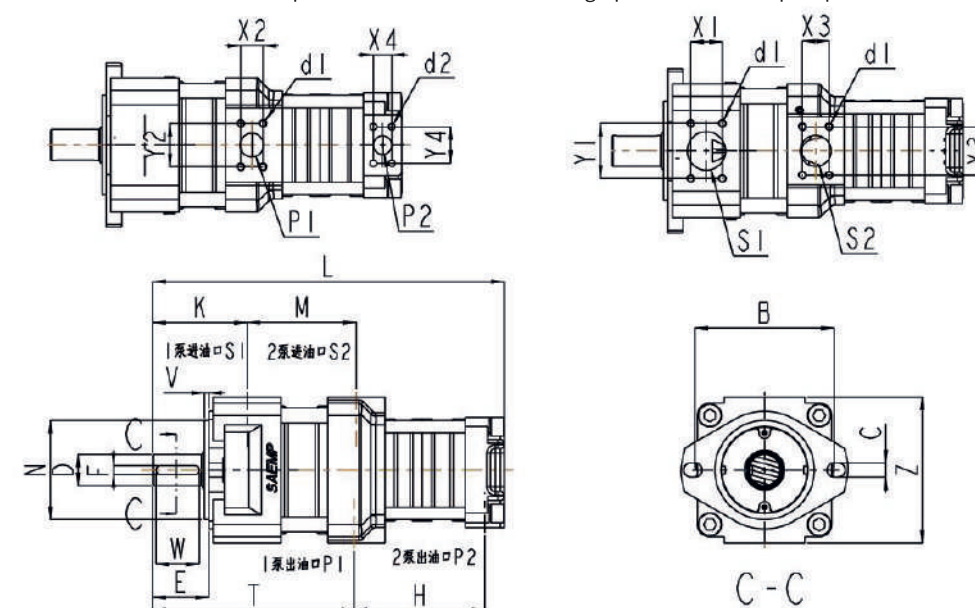
- |        |                            |
|--------|----------------------------|
| 1.轴    | 1. Shaft                   |
| 2.前盖   | 2. Front cover             |
| 3.油封   | 3. Oil seal                |
| 4.进油泵体 | 4. Oil inlet pump body     |
| 5.齿轮   | 5. Gear                    |
| 6.齿圈   | 6. Gear ring               |
| 7.轴承   | 7. Bearing                 |
| 8.排油泵体 | 8. Oil discharge pump body |
| 9.O型圈  | 9. O-ring                  |
| 10.配油盘 | 10. Oil distribution plate |



型号 Model	公称排量 (ml/r)	额定压力 (Mpa)	最高压力 (Mpa)	最高转速 (r/min)
QT-D80-G40F	20	6.3	8.0	3000
QT-D80-G40F	25	6.3	8.0	3000
QT-D80-G50F	32	6.3	8.0	3000
QT-D80-G63F	40	6.3	8.0	2000
QT-D80-G63F	50	6.3	8.0	2000
QT-D100-G40F	63	6.3	8.0	2000
QT-D100-G50F	80	6.3	8.0	2000
QT-D100-G63F	100	6.3	8.0	2000
QT-D125-G40F	125	6.3	8.0	2000
QT-D125-G40F	160	6.3	8.0	1500
QT-D125-G50F	200	6.3	8.0	1500
QT-D125-G63F	250	6.3	8.0	1500

## 中高压双联泵技术参数

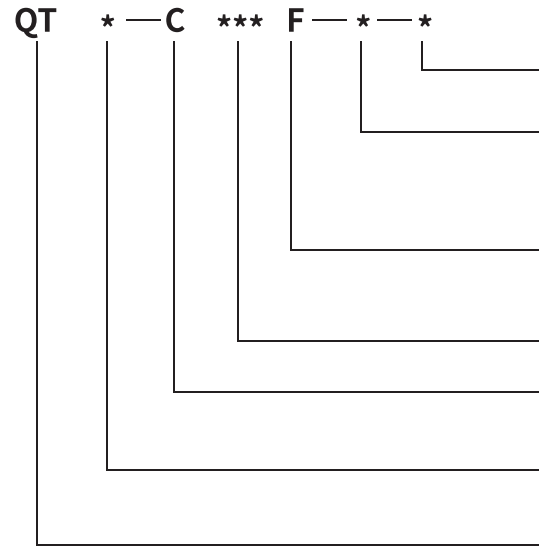
Technical parameters of medium and high pressure double pump



系列号 Serial Number	QT2-C			QT3-C			QT5-C			QT5-C		
排量 Displacement	20	25	32	40	50	63	80	100	125	160	200	250
S	φ31				φ38			φ51			φ64	
P	φ19				φ25			φ32			φ41	
A	134				172			214			266	
B-英制/公制 B-Imperial/Metric	106/109				146/140			181/180			229/224	
C	11				14			18			23	
I	48				68			85			90	
K	115				136			177			216	
L	227				283			354			412	
N公制 N-Metric	φ80				φ100			φ125			φ160	
N英制 N-Imperial	φ82.55				φ101.6			φ127			φ152.4	
O	12				16			20			25	
T	115				139			170			216	
V	4				7			7			7	
Z	60				75			93			118	
D	φ25				φ32			φ40			φ50	
E	42				58			75			80	
F	8				10			12			14	
G	28				35.0			43.0			53.5	
W	116				142			172			218	
X1	30				36			43			51	
Y1	59				70			78			89	
4-d1	M10*25				M12*30			M12*25			M12*30	
X2	22				26			30			36	
Y2	48				52			59			70	
4-d2	M10*25				M12*30			M12*25			M12*30	
重量 (kg)	13kg				25kg			40kg			83kg	

# QT系列中压齿轮泵

QT Series Medium Pressure Gear Pump



公英制:无标记的为公制,“E”为英制出油  
Metric and Imperial: No mark is metric, "E" is imperial

出油口方向:2、3系列1、3 4、5系列1、2、3、4  
Oil outlet direction: 2, 3 series 1, 3 4, 5 series 1, 2, 3, 4

连接方式:法兰连接,符合GB2353.1-80  
液压泵和液压马达安装法兰和轴尺寸  
系列和标记(ISO3019/2)  
Connection method: flange connection, in accordance with GB2353.1-80  
Hydraulic pump and hydraulic motor mounting flange and shaft dimensions  
Series and markings (ISO3019/2)

公称排量  
Nominal displacement

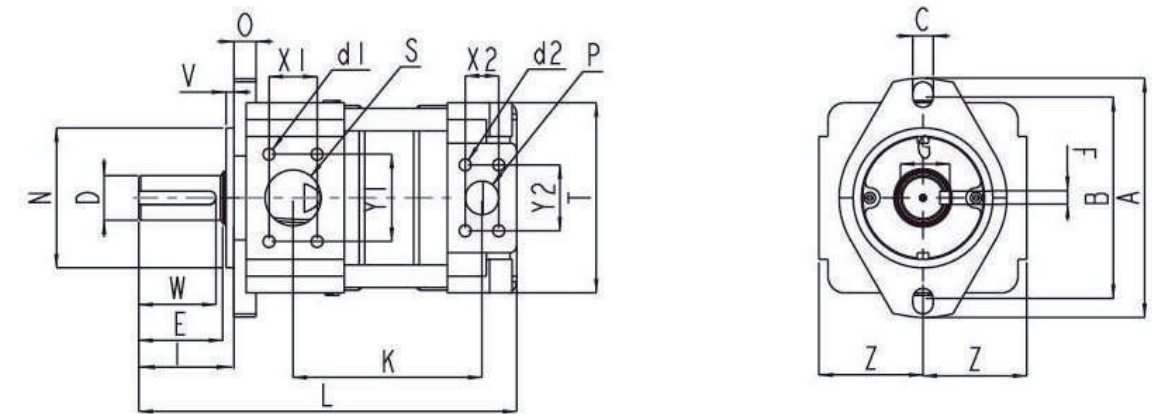
压力参数(额定压力):12.5MPa  
Pressure parameter (rated pressure): 12.5MPa

系列代号:2、3、4、5、6  
Series code: 2, 3, 4, 5, 6

型式代号:直线共轭内啮合齿轮泵  
Type code: Linear conjugate internal gear pump

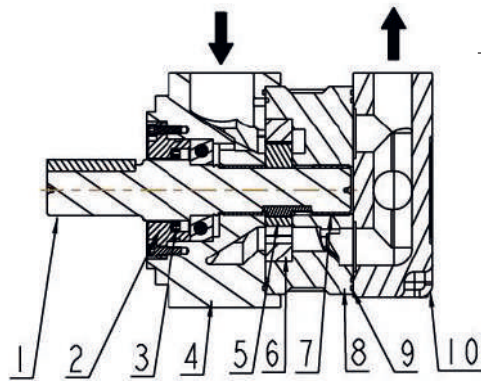
## 单级中压泵外形尺寸及安装尺寸

Single-stage medium-pressure pump overall dimensions and installation dimensions



## 单级中压泵技术参数

Technical parameters of single-stage medium pressure pump



- |        |                            |
|--------|----------------------------|
| 1.轴    | 1. Shaft                   |
| 2.前盖   | 2. Front cover             |
| 3.油封   | 3. Oil seal                |
| 4.进油泵体 | 4. Oil inlet pump body     |
| 5.齿轮   | 5. Gear                    |
| 6.齿圈   | 6. Gear ring               |
| 7.轴承   | 7. Bearing                 |
| 8.排油泵体 | 8. Oil discharge pump body |
| 9.O型圈  | 9. O-ring                  |
| 10.配油盘 | 10. Oil distribution plate |

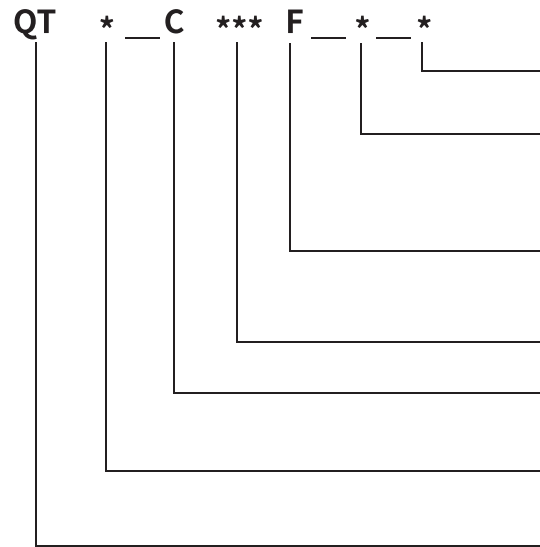


型号 Model	公称排量 (ml/r)	额定压力 (Mpa)	最高压力 (Mpa)	最高转速 (r/min)
QT2-D6F	6	12.5	16	3000
QT2-D8F	8	12.5	16	3000
QT2-D10F	10	12.5	16	3000
QT2-D12F	12	12.5	16	3000
QT2-D16F	16	12.5	16	3000
QT3-D20F	20	12.5	16	3000
QT3-D25F	25	12.5	16	3000
QT3-D32F	32	12.5	16	3000
QT4-D40F	40	12.5	16	2000
QT4-D50F	50	12.5	16	2000
QT4-D63F	63	12.5	16	2000
QT5-D80F	80	12.5	16	2000
QT5-D100F	100	12.5	16	2000
QT5-D125F	125	12.5	16	2000
QT6-D140F	140	12.5	16	1500
QT6-D165F	160	12.5	16	1500

系列号 Serial Number	QT2-D		QT3-D		QT4-D		QT5-D		QT6-D							
	06	08	10	12	16	20	25	32	40	50	63	80	100	125	140	160
尺寸 Size																
排量 Displacement																
S	φ31		φ38		φ51		φ64		φ64							
P	φ19		φ25		φ32		φ41		φ41							
A	134		172		214		266		266							
B-英制/公制 B-Imperial/Metric	106/109		146/140		181/180		229/224		229/224							
C	11		14		18		23		23							
I	48		68		85		90		90							
K	115		136		177		216		216							
L	227		283		354		412		412							
N公制 N-Metric	φ80		φ100		φ125		φ160		φ160							
N英制 N-Imperial	φ82.55		φ101.6		φ127		φ152.4		φ152.4							
O	12		16		20		25		25							
T	115		139		170		216		216							
V	4		7		7		7		7							
Z	60		75		93		118		118							
D	φ25		φ32		φ40		φ50		φ50							
E	42		58		75		80		80							
F	8		10		12		14		14							
G	28		35.0		43.0		53.5		53.5							
W	116		142		172		218		218							
X1	30		36		43		51		51							
Y1	59		70		78		89		89							
4-d1	M10*25		M12*30		M12*25		M12*30		M12*30							
X2	22		26		30		36		36							
Y2	48		52		59		70		70							
4-d2	M10*25		M12*30		M12*25		M12*30		M12*30							
重量	12kg		22kg		38kg		75kg		76kg							

# QT系列双级高压齿轮泵

QT Series Two-stage High Pressure Gear Pump



公英制:无标记的为公制,“E”为英制出油  
Metric and Imperial: No mark is metric, “E” is imperial

出油口方向:2、3系列1、3 Oil outlet direction: 2, 3 series 1, 3  
4、5系列1、2、3、4 4, 5 series 1, 2, 3, 4

连接方式:法兰连接,符合GB2353.1-80  
液压泵和液压马达安装法兰和轴尺寸  
系列和标记(ISO3019/2)  
Connection method: flange connection, in accordance with GB2353.1-80  
Hydraulic pump and hydraulic motor mounting flange and shaft dimensions  
Series and markings (ISO3019/2)

公称排量  
Nominal displacement

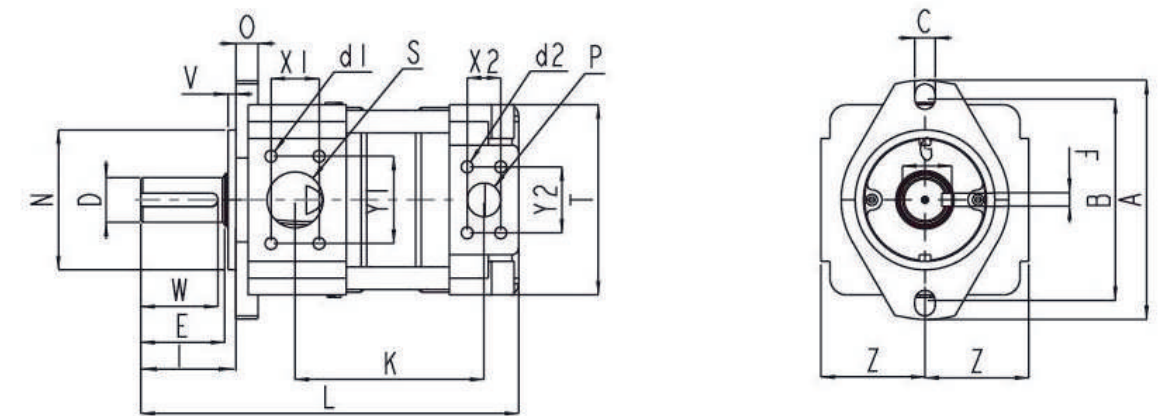
压力参数(额定压力):25MPa  
Pressure parameter (rated pressure): 25MPa

系列代号:2、3、4、5、6  
Series code: 2, 3, 4, 5, 6

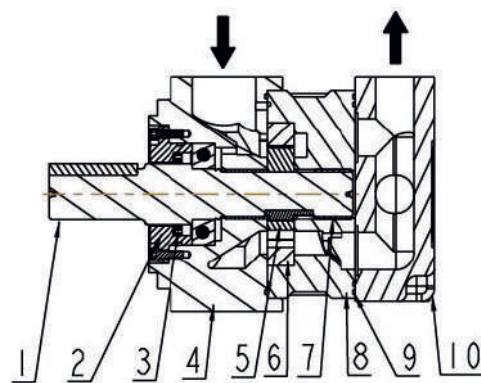
型式代号:直线共轭内啮合齿轮泵  
Type code: Linear conjugate internal gear pump

## 双级高压泵外形及安装尺寸

Two-stage high-pressure pump appearance and installation dimensions



## 双级高压泵技术参数



- |        |                         |
|--------|-------------------------|
| 1.轴    | 1. Shaft                |
| 2.前盖   | 2. Front cover          |
| 3.油封   | 3. Oil seal             |
| 4.进油泵体 | 4. Oil inlet pump body  |
| 5.齿轮   | 5. O-ring               |
| 6.齿圈   | 6. Gear                 |
| 7.中间泵体 | 7. Gear ring            |
| 8.轴承   | 8. Oil outlet pump body |
| 9.排油泵体 | 9. Bearing              |
| 10.O型圈 | 10. O-ring              |
| 11.配油盘 | 11. Rear cover          |

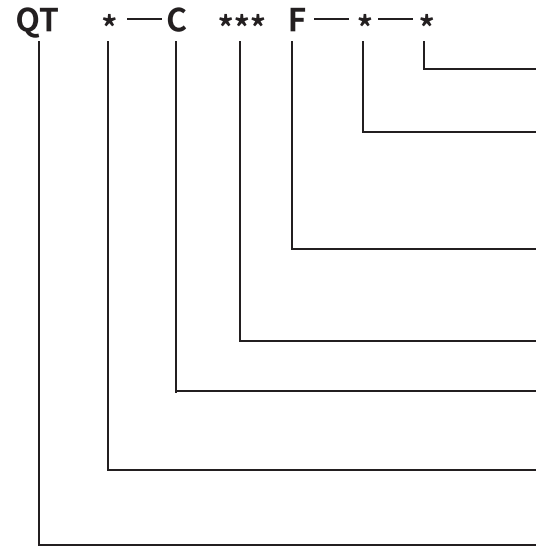


型号 Model	公称排量(ml/r)	额定压力(Mpa)	最高压力(Mpa)	最高转速(r/min)
QT2-G6F	6	25	32	3000
QT2-G8F	8	25	32	3000
QT2-G10F	10	25	32	3000
QT2-G12F	12	25	32	3000
QT2-G16F	16	25	32	3000
QT3-G20F	20	25	32	3000
QT3-G25F	25	25	32	3000
QT3-G32F	32	25	32	3000
QT4-G40F	40	25	32	2000
QT4-G50F	50	25	32	2000
QT4-G63F	63	25	32	2000
QT5-G80F	80	25	32	2000
QT5-G100F	100	25	32	2000
QT5-G125F	125	25	32	2000
QT6-G140F	140	25	25	1500
QT6-G160F	160	25	25	1500

系列号 Serial Number	QT2-G					QT3-G			QT4-G			QT5-G			QT6-G	
排量 Displacement	06	08	10	12	16	20	25	32	40	50	63	80	100	125	140	160
尺寸 Size																
S	φ31					φ38			φ50			φ64			φ64	
P	φ19					φ25			φ30			φ41			φ41	
A	134					172			214			266			266	
B-英制/公制 B-Imperial/Metric	106/109					146/140			181/180			229/224			229/224	
C	11					14			18			23			23	
I	48					68			85			90			90	
K	90					136			177			216			216	
L	250					312			383			463			487	
M	139					170			206			264.5			288.5	
N-公制 N-Metric	φ80					φ100			φ125			φ160			φ160	
N-英制 N-Imperial	φ82.55					φ101.6			φ127			φ152.4			φ152.4	
O	12					16			20			25			25	
T	115					139			170			216			216	
V	4					7			7			7			7	
Z	60					75			93			118			118	
D	φ25					φ32			φ40			φ50			φ50	
E	42					58			75			80			80	
F	8					10			12			14			14	
G	28					35.0			43.0			53.5			53.5	
W	116					142			172			218			218	
X1	30					36			43			51			51	
Y1	59					70			78			89			89	
4-d1	M10*25					M12*30			M12*25			M12*30			M12*30	
X2	22					26			30			36			36	
Y2	48					52			59			70			70	
4-d2	M10*25					M12*30			M12*25			M12*30			M12*30	
重量	15kg					28kg			50kg			99kg			101kg	

# QT系列低压定向齿轮泵

QT Series Low Pressure Directional Gear Pump



公英制:无标记的为公制,“E”为英制出油  
Metric and Imperial: No mark is metric, “E” is imperial

出油口方向:2、3系列1、3 4、5系列1、2、3、4  
Oil outlet direction: 2, 3 series 1, 3 4, 5 series 1, 2, 3, 4

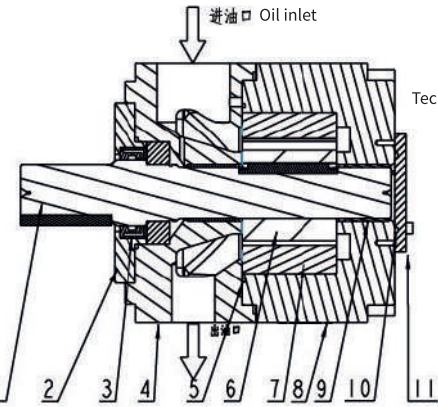
连接方式:法兰连接,符合GB2353.1-80  
液压泵和液压马达安装法兰和轴尺寸系列和标记(ISO3019/2)  
Connection method: flange connection, in accordance with GB2353.1-80  
Hydraulic pump and hydraulic motor mounting flange and shaft dimensions Series and markings (ISO3019/2)

公称排量  
Nominal displacement

压力参数(额定压力):25MPa  
Pressure parameter (rated pressure): 25MPa

系列代号:2、3、4、5、6  
Series code: 2, 3, 4, 5, 6

型式代号:直线共轭内啮合齿轮泵  
Type code: Linear conjugate internal gear pump



## 单级低压定向泵技术参数

Technical parameters of single-stage low pressure directional pump

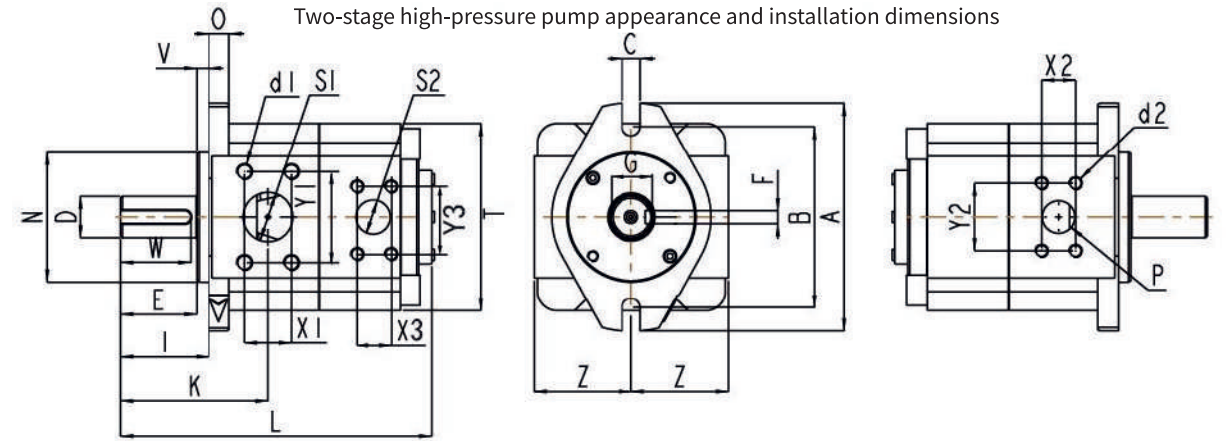
- |        |                         |
|--------|-------------------------|
| 1.轴    | 1. Shaft                |
| 2.前盖   | 2. Front cover          |
| 3.油封   | 3. Oil seal             |
| 4.进油泵体 | 4. Oil inlet pump body  |
| 5.O型圈  | 5. O-ring               |
| 6.齿轮   | 6. Gear                 |
| 7.齿圈   | 7. Gear ring            |
| 8.排油泵体 | 8. Oil outlet pump body |
| 9.轴承   | 9. Bearing              |
| 10.O型圈 | 10. O-ring              |
| 11.后盖  | 11. Rear cover          |



型号 Model	公称排量(ml/r)	额定压力(Mpa)	最高压力(Mpa)	最高转速(r/min)
QT2-C20F-DX	20	6.3	8.0	3000
QT2-C25F-DX	25	6.3	8.0	3000
QT2-C32F-DX	32	6.3	8.0	3000
QT2-C40F-DX	40	6.3	8.0	2000
QT2-C50F-DX	50	6.3	8.0	2000
QT3-C63F-DX	63	6.3	8.0	2000
QT3-C80F-DX	80	6.3	8.0	2000
QT3-C100F-DX	100	6.3	8.0	2000
QT4-C125F-DX	125	6.3	8.0	2000
QT4-C160F-DX	160	6.3	8.0	1500
QT4-C200F-DX	200	6.3	8.0	1500
QT5-C250F-DX	250	6.3	8.0	1500
QT5-C320F-DX	320	6.3	8.0	1500
QT5-C400F-DX	400	6.3	8.0	1500
QT6-C500F-DX	500	6.3	8.0	1500

## 双级高压泵外形及安装尺寸

Two-stage high-pressure pump appearance and installation dimensions



系列号 Serial Number	QT2-C			QT3-C			QT4-C			QT5-C			QT6-C		
排量 Displacement	20	25	32	40	50	63	80	100	125	160	200	250	320	400	500
S1	φ30			φ38			φ50			φ64			φ75		
S2	/			/			/			/			/		
P	φ20			φ25			φ30			φ41			φ50		
A	140			17			224			280			330		
C	106			140			180			224			280		
I	11			14			18			22			26		
K	50			68			92			92			117		
L	88			112			144			153			207		
M	197			241			298			340			485		
N公制 N-Metric	φ80			φ100			φ125			φ160			φ200		
N英制 N-Imperial	φ82.55			φ101.6			φ127			φ152.4			/		
O	12			16			20			24			25		
T	115			145			180			224			255		
V	7			9			9			9			9		
Z	60			75			93			115			125		
D	φ25			φ32			φ40			φ50			φ65(φ63)		
E	42			58			82			82			103		
F	8			10			12			14			18		
G	28			35.0			43.0			53.5			69		
W	38			54			70			80			90		
X1	30			36			43			51			62		
Y1	59			70			78			89			106.5		
4-d1	M10*25			M12*30			M12*25			M12*30			M16*26		
X3	/			/			/			/			51		
Y3	/			/			/			/			89		
4-d3	/			/			/			/			M12*20		
X2	22			26			30			36			43		
Y2	48			52			59			70			78		
4-d2	M10*25			M10*25			M10*25			M12*30			M12*20		
M(进油口距离) M(Oil inlet distance)	/			/			/			/			213		216
重量	15kg			28kg			50kg			99kg			101kg		

# QT系列低压定向齿轮泵

QT Series Low Pressure Directional Gear Pump

QT \* — C \*\*\* F — \* — \*

公英制:无标记的为公制,“E”为英制出油  
Metric and Imperial: No mark is metric, “E” is imperial

出油口方向:2、3系列1、3 Oil outlet direction: 2, 3 series 1, 3  
4、5系列1、2、3、4 4、5 series 1, 2, 3, 4

连接方式:法兰连接,符合GB2353.1-80  
液压泵和液压马达安装法兰和轴尺寸  
系列和标记(ISO3019/2)  
Connection method: flange connection, in accordance with GB2353.1-80  
Hydraulic pump and hydraulic motor mounting flange and shaft dimensions  
Series and markings (ISO3019/2)

公称排量  
Nominal displacement

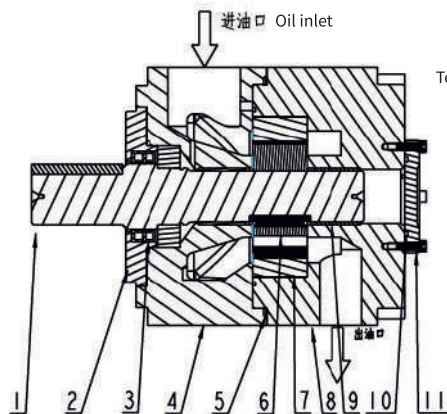
压力参数(额定压力):25MPa  
Pressure parameter (rated pressure): 25MPa

系列代号:2、3、4、5、6  
Series code: 2, 3, 4, 5, 6

型式代号:直线共轭内啮合齿轮泵  
Type code: Linear conjugate internal gear pump

## 单级低压定向泵技术参数

Technical parameters of single-stage low pressure directional pump



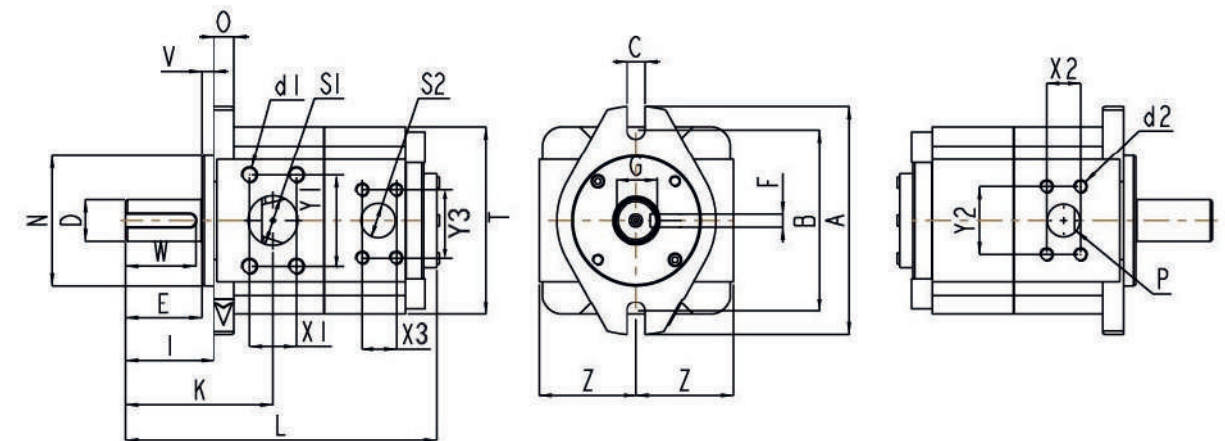
- |        |                         |
|--------|-------------------------|
| 1.轴    | 1. Shaft                |
| 2.前盖   | 2. Front cover          |
| 3.油封   | 3. Oil seal             |
| 4.进油泵体 | 4. Oil inlet pump body  |
| 5.O型圈  | 5. O-ring               |
| 6.齿轮   | 6. Gear                 |
| 7.齿圈   | 7. Gear ring            |
| 8.排油泵体 | 8. Oil outlet pump body |
| 9.轴承   | 9. Bearing              |
| 10.O型圈 | 10. O-ring              |
| 11.后盖  | 11. Rear cover          |



型号 Model	公称排量 (ml/r)	额定压力 (Mpa)	最高压力 (Mpa)	最高转速 (r/min)
QT5-F80F	80	21	25	2000
QT5-F100F	100	21	25	2000
QT5-F125F	125	21	25	2000
QT5-F140F	140	21	25	1500
QT6-F160F	160	21	25	1500
QT6-F200F	200	21	25	1500
QT6-F250F	250	21	25	1500
QT6-F300F	300	21	25	1500

## 单级中高压定向泵外形及安装尺寸

Single-stage medium and high pressure directional pump appearance and installation dimensions



系列号 Serial Number	QT5-F				QT6-F			
	80	100	125	140	160	200	250	300
排量 Displacement								
尺寸 Size								
S		φ64			φ75			
P		φ38			φ50			
A		266			330			
B		244			280			
C		23			26			
I		92			117			
K		153			207			
L		344			435			
N		φ160			φ200			
O		25			25			
T		244			255			
V		7			9			
Z		118			125			
D		φ50			φ65(φ63)			
E		82			103			
F		14			18			
G		53.5			69			
W		80			90			
X1		57			62			
Y1		89			106.5			
4-d1		M12*30			M16*26			
X2		36			43			
Y2		70			78			
4-d2		M12×30			M12×20			
M		121			151		164	
重量		70kg			136kg			

# QT系列伺服

QT SERIES SERVO

新结构带来未来时代的主流--超低噪音的引领者  
专门针对伺服系统研发设计, 增强节能环保, 提高工作效率。

The new structure brings the mainstream of the future era - the leader of ultra-low noise  
Specially developed and designed for servo systems, enhancing energy conservation and environmental protection and improving work efficiency.

## 伺服系列油泵特点 Features

### 1. 节能, 未来时代的主流 Energy saving

- 油压系统的高效节能
- 提高节能效率
- 伺服系统化将成为主流
- 旧设备改造的选择
- High efficiency energy saving of hydraulic system
- Improve energy saving efficiency
- Servo systemization will become the mainstream
- Option for the transformation of old equipment



### 2. 高效节能性 High efficiency and energy saving

伺服泵大大提高了设备的节能效果, 如注塑机, 节电率在30%-80%相比传统注塑机提高了50%左右。  
提高生产效率5%-15%, 产品加工时间缩短, 提高产量。

Servo pumps greatly improve the energy-saving effect of equipment, such as injection molding machines, with a power saving rate of 30%-80%, which is about 50% higher than traditional injection molding machines. Improve production efficiency by 5%-15%, shorten product processing time, and increase output.

### 3. 高效节能的表现 Energy-efficient performance

高机械效率+容积率的提高=高节能

液压油泵拥有强制润滑构造, 进一步减少了部件之间的磨损。(高机械效率)

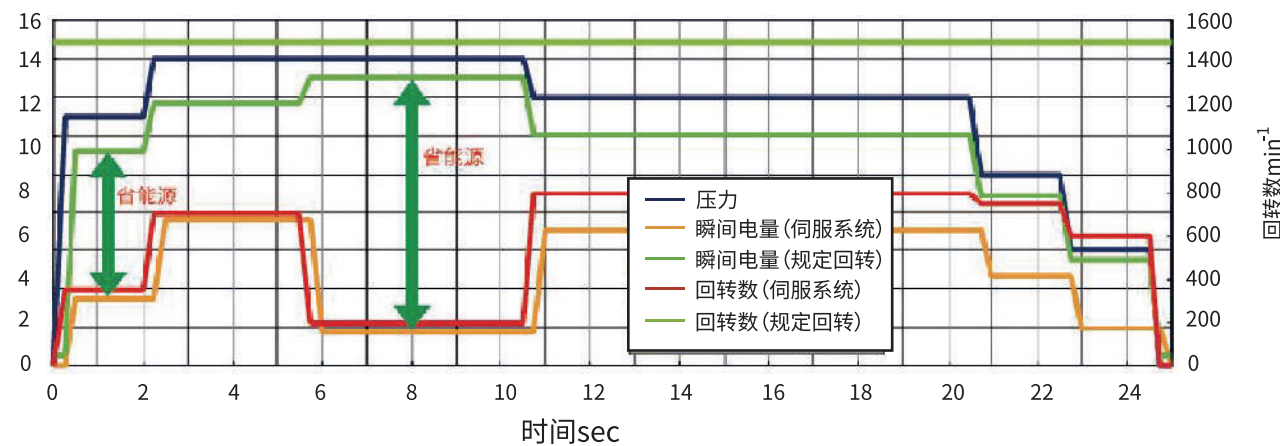
液压油泵, 更加优化了齿轮与齿圈的设计, 使其在保压时实现了低回转。(容积效率的提高)

High mechanical efficiency + increased volume ratio = high energy saving

The hydraulic oil pump has a forced lubrication structure, which further reduces the wear between components. (High mechanical efficiency)

The hydraulic oil pump has further optimized the design of gears and gear rings, enabling low rotation while maintaining pressure. (Improvement of volumetric efficiency)

注塑机完成一个周期所消费的点亮比较



## 型号说明 Model Description

QT \* — D \*\*\* F/E—BP—\* —SV

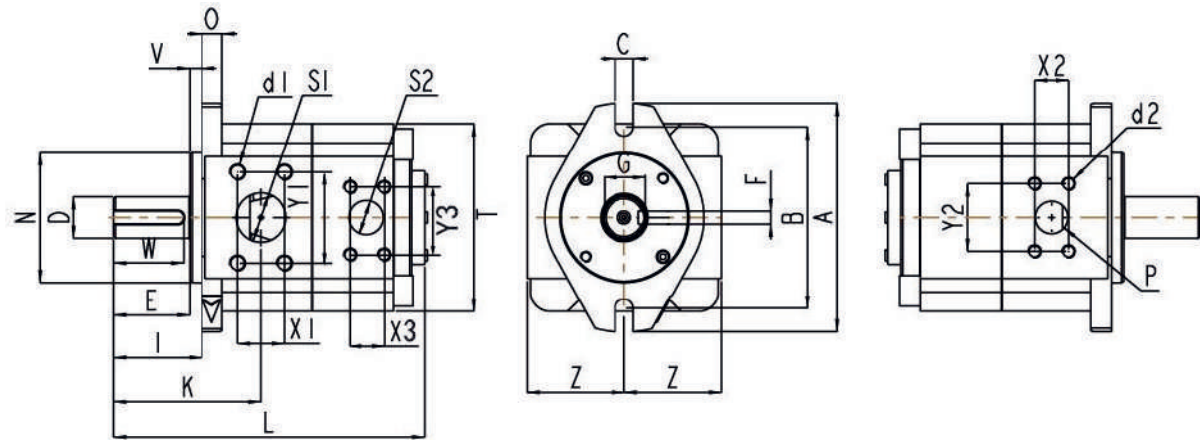
- 花键连接  
Flower Health Connection
- 出口方向: NBY4:1、3  
NBY5/6:1、2、3、4  
(1是0°, 2是90°, 3是180°, 4是270°)
- Oil outlet direction: NBY4: 1, 3  
NBY5/6: 1, 2, 3, 4  
(1 is 0°, 2 is 90°, 3 is 180°, 4 is 270°)
- 伺服油泵代号  
Servo oil pump code
- 连接方式: 法兰连接, 符合GB2353.1-80液压泵和液压马达安装法兰和轴尺寸系列和标记 (ISO3019/2) (E代表反转)  
Connection method: flange connection, in accordance with GB2353.1-80 hydraulic pump and hydraulic motor mounting flange and shaft size series and marking (ISO3019/2) (E stands for reverse)
- 公称排量  
Nominal displacement
- 压力参数(最高压力): 17.5Mpa  
Pressure parameters (maximum pressure): 17.5Mpa
- 系列代号: 4、5、6  
Series code: 4, 5, 6
- 型式代号: 直线共轭内啮合齿轮泵  
Type code: Linear conjugate internal gear pump

基本性能表						
型号 Model	排量 (ml/r)	最高转速 min <sup>-1</sup>	额定压力 (Mpa)	最高压力 (Mpa)	扭矩 NM	马达功率 kw
QT4	25	200-2500	14	17.5	73	11
	32	200-2500	14	17.5	92	15
	40	200-2500	14	17.5	120.5	18
QT5	40	200-2500	14	17.5	118	17.6
	50	200-2500	14	17.5	147.5	22
	55	200-2500	14	17.5	162.2	24
	63	200-2500	14	17.5	184.8	26
	80	200-2500	14	17.5	234.6	33
QT6	80	200-2200	14	17.5	232.1	35
	100	200-2200	14	17.5	291.2	45
	125	200-2200	14	17.5	358.3	55
	140	200-2000	14	17.5	411.3	66
	160	200-2000	14	17.5	463.3	76

注: 上表所示扭矩为使用矿物质油介质, 在最大连续允许压力条件下的理论值  
上表所示马达功率为使用矿物质油介质, 在最大允许连续压力, 转速1450min条件下的理论值  
压力14Mpa以上, 转速600min"以下, 或者转速1800min"以上运行时, 对于使用时间请事先与本公司联络

Note: The torque shown in the table above is the theoretical value under the condition of maximum continuous allowable pressure using mineral oil as the medium.  
The motor power shown in the table above is the theoretical value when using mineral oil as the medium, at the maximum allowable continuous pressure and a speed of 1450min.  
When the pressure is above 14Mpa, the speed is below 600min", or the speed is above 1800min", please contact us in advance for the usage time.

单级中高压定向泵外形及安装尺寸



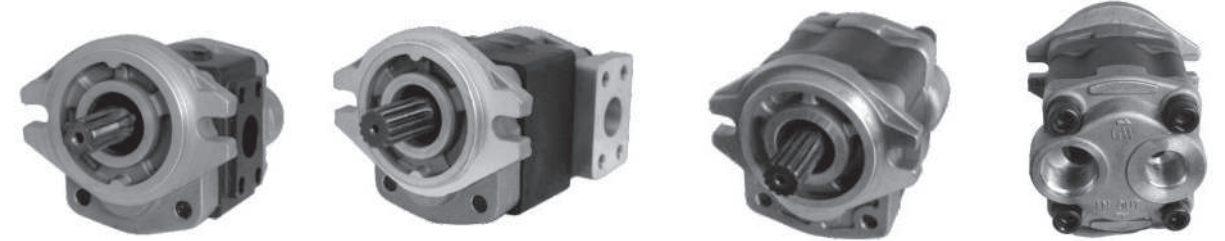
系列号 Serial Number	QT4-			QT5-					QT6-				
尺寸 Size	25	32	40	40	50	55	63	80	80	100	125	140	160
S	φ38			φ50					φ64				
P	φ25			φ30					φ41				
A	172			214					266				
B(英制/公制) B(Imperial/Metric)	146/140			181/180					229/224				
C	14			18					23				
I	68			85					90				
K	115			145					154				
L	256			313					373				
M	114			136					174.5				
N	φ101.6			φ127					φ152.4				
O	16			20					25				
T	139			170					216				
V	7			7					7				
Z	75			93					118				
D	φ32			φ40					φ50				
E	58			75					80				
F	10			12					14				
G	35.0			43.0					53.5				
W	54			69					74				
X1	36			43					51				
Y1	70			78					89				
4-d1	M12*30			M12*30					M12*30				
X2	26			30					36				
Y2	52			59					70				
4-d2	M10×25			M10×25					M12×30				
重量 weight	22kg			38kg					75kg				

SGP1系列齿轮泵

SGP1 Series Gear Pump

SGP1系列齿轮泵具有噪音低、结构巧妙、安装方便等特点，是环保型产品。该泵广泛应用于起重运输机械、路面机械、环保机械、轻工机械等行业。该泵已成为各种环保型主设备的首选配套件。

SGP1 series gear pumps are environmental friendly products with the features of low noise, smart structure and easy installation. The pumps are widely applied in the industries of hoisting and conveying machinery, road machinery, environmental protection machinery, light industry machinery etc. The pump has been the first option accessory parts for variety of environmental friendly main equipment.



Model descriptions

SGP1 - 32 D S H 1-L \*\*\*  
① ② ③ ④ ⑤ ⑥ ⑦ ⑧ ⑨

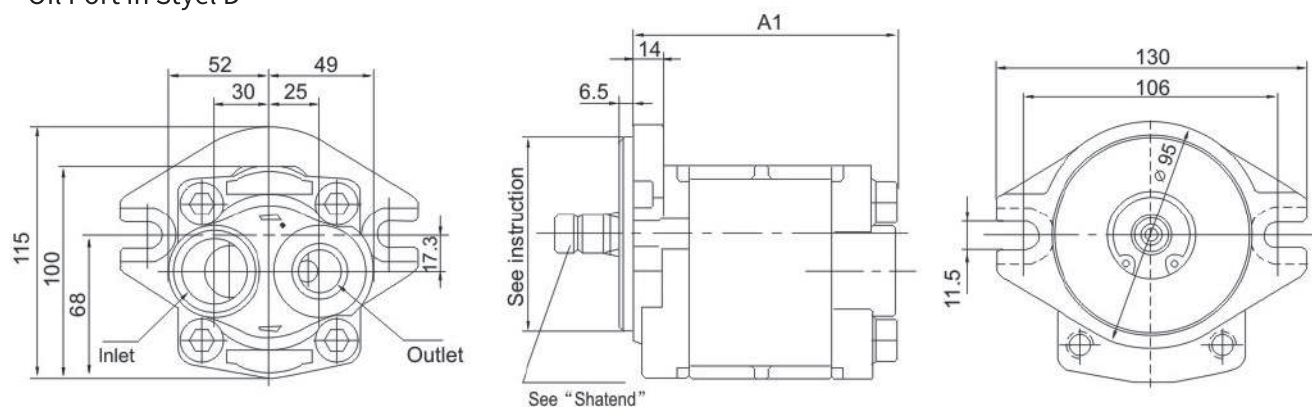
- ① SGP1系列  
SGP1 Series
- ② 安装套管直径  
Mounting spigot diameter  
—: φ82<sup>-0.051</sup><sub>-0.086</sub> A: φ82.55<sup>0</sup><sub>-0.05</sub>  
C: φ80<sup>0</sup><sub>-0.046</sub> B: φ85<sup>-0.036</sup><sub>-0.09</sub>
- ③ 公称排量 (mL/r)  
Nominal displacement (mL/r)  
19、23、25、27、30、32、36
- ④ 端口位置  
Position of ports  
D. 后端口  
D.Rear port  
F. 侧面端口(位于后盖上)  
F.Side port(on cover rear)  
A. 侧端口(位于本体上)  
A.Side port(on body)
- ⑤ 接口配置  
Port configuration  
1.SAE 法兰端口(仅侧面)  
1.SAE flange port (side only)  
进口: φ25;52.4\*26.2;4-M10\*1.25  
Inlet: φ25;52.4\*26.2;4-M10\*1.25  
出口: φ20;47.6\*22.2;4-M10\*1.25  
Outlet: φ20;47.6\*22.2;4-M10\*1.25  
2.G screw thread(JISB2351) same as P  
Inlet: G1  
Outlet: G1/2, G3/4
- ⑥ 安装方式  
Mounting  
H: 水平2个螺栓: 106  
H: Horizontal 2 bolts: 106  
H1: 卧式2个螺栓: 130  
H1: Horizontal 2 bolts: 130
- ⑦ 轴型  
Shaft type  
1.SAE花键: 16/32DP, 齿数: 13, 长度: 42  
1.SAE spline: 16/32DP, Teeth No.: 13, Length: 42  
2.平键(直径φ20)  
2.flat key(dia.φ20)  
5.SAE花键: 16/32DP, 齿数: 10, 长度: 33  
5.SAE spline: 16/32DP, Teeth No.: 10, Length: 33  
H. 矩形花键: 6-20\*16\*4, 长度: 70  
H. Rectangle spline: 6-20\*16\*4, Length: 70  
H1. 矩形样条: 6-20\*16\*4, 长度: 41.5  
H1. Rectangle spline: 6-20\*16\*4, Length: 41.5  
9. 特别的  
9.Special
- ⑧ 旋转方向(从轴端看)  
Direction of rotation (from shaft end)  
L: 左旋转(逆时针)  
L: Left rotation (counterclockwise)  
R: 右旋转(顺时针)  
R: Right rotation (clockwise)
- ⑨ 代码编号  
Code number

性能参数

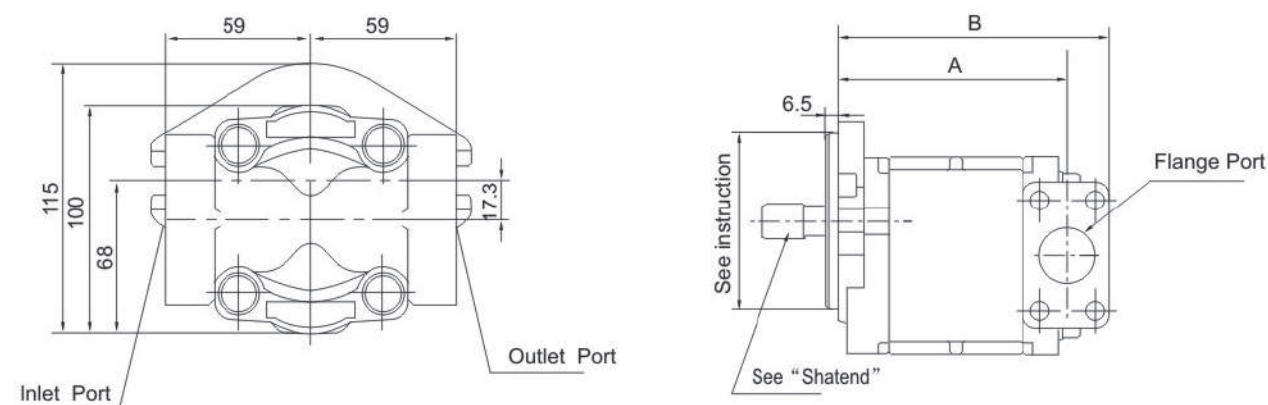
Performance parameter

Models	Nominal displacement (mL/r)	Pressure(Mpa)		Rotation speed(r/min)			Volumetric Efficiency (≥%)	L	Weight (kg)
		Rated	Max	Min	Rated	Max			
SGP1-19	19	20	25	600	2500	3000	92	115.5	4.1
SGP1-23	23							118.5	4.3
SGP1-25	25							122.5	4.6
SGP1-27	27							124.5	4.8
SGP1-30	30							126.5	5.0
SGP1-32	32							131.5	5.4
SGP1-36	36							130.5	5.8

**D 型油口**  
Oil Port in Styl D



**F 型油口**  
Oil Port in Styl F

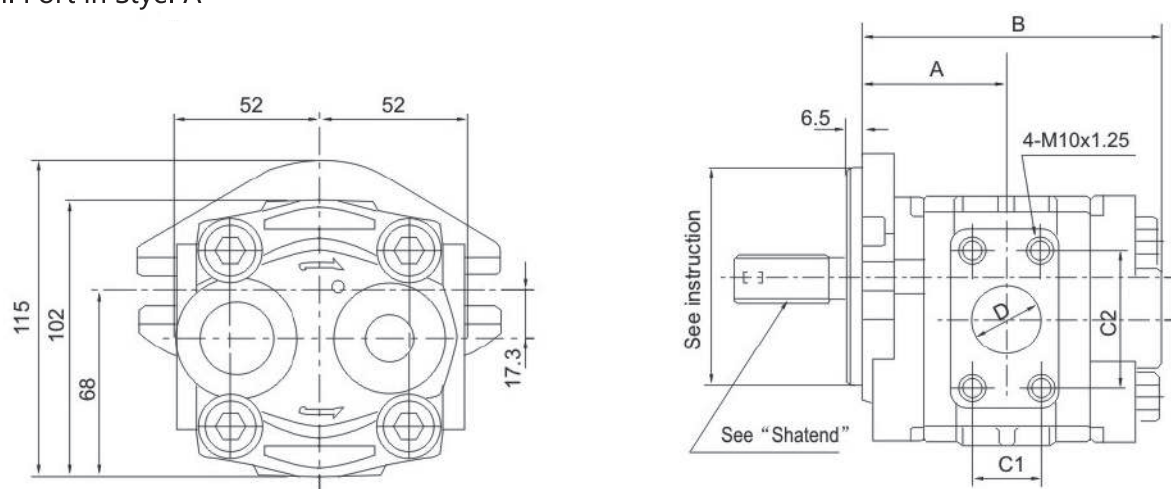


**后部端口 Rear Port**

Displacement	23	25	27	30	32	36
A1	117	118	122	124	128	132

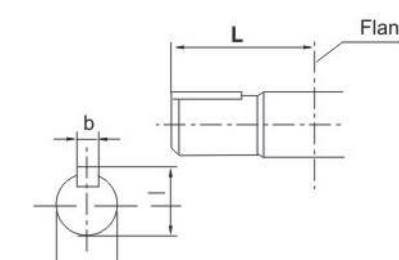
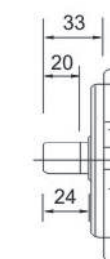
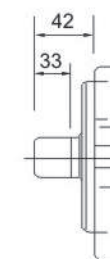
Displacement	A	B
23	107.0	130.5
25	108.5	132
27	112.0	135.5
30	114.5	138
32	118.5	142.0
36	122.5	146.0

**A 型油口**  
Oil Port in Styl A



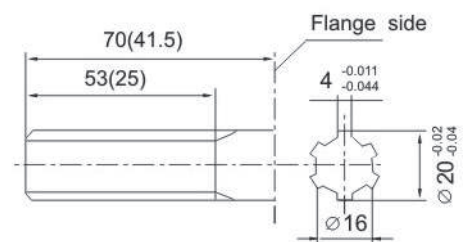
SAE  
齿数 13  
D.P. 16/32  
压力角30°  
C.P 0. 1963"  
通过pin ida  
f 21.80  
焦距 21.68  
销钉直径 φ18.63  
H, H1: 矩形样条曲线

SAE  
齿数 13  
D.P. 16/32  
压力角30°  
C.P 0. 1963"  
通过pin ida  
f 21.80  
焦距 21.68  
销钉直径 φ18.63  
9: 特殊订单



**性能参数**  
Performance parameter

Displacement	A	B	Inlet port			outlet port		
			C1	C2	D	C1	C2	D
30	64.3	124	26.2	52.4	25	22.2	47.6	20
32	66.3	128				22.2	47.6	20
36	68.3	132				22.2	47.6	20



( ) Dimension of No.H1 Shaft type

Shaft end	D	b	I	L
Straight spline NO.2	20	6	22.5	42

# SGP2系列齿轮泵

## SGP2 Series Gear Pump

SGP2A系列齿轮泵具有噪音低、结构巧妙、安装方便等特点，是环保型产品。该泵广泛应用于起重运输机械、路面机械、环保机械、轻工机械等行业。该泵已成为各种环保型主设备的首选配套件。

SGP2A series gear pumps are environmental friendly products with the features of low noise, smart structure and easy installation. The pumps are widely applied in the industries of hoisting and conveying machinery, road machinery, environmental protection machinery, light industry machinery, etc. The pump has been the first option accessory parts for variety of environmental friendly main equipment.



### 型号说明

Model descriptions

SGP2 - 36 D 1 H 1-L \*\*\*

- |   |   |  |   |   |                                   |   |   |                       |
|---|---|--|---|---|-----------------------------------|---|---|-----------------------|
| ① SGP2系列<br>SGP1 Series   | ② 安装套管直径<br>Mounting spigot diameter  | ③ 公称排量 (mL/r)<br>Nominal displacement (mL/r) | ④ 端口位置<br>Position of ports                 | ⑤ 接口配置<br>Port configuration  | ⑥ 安装方式<br>Mounting                | ⑦ 轴型<br>Shaft type  | ⑧ 旋转方向 (从轴端看)<br>Direction of rotation (from shaft end) | ⑨ 代码编号<br>Code number |
| 1.SAE花键: 16/32DP, 齿数: 13, 长度: 42  | 1.SAE法兰口 (仅适用于排量36mL/r以下)<br>进口: $\Phi 25; 52.4 \times 26.2; 4-M10 \times 1.25$<br>出口: $\Phi 25; 52.4 \times 26.2; 4-M10 \times 1.25$ | 20, 23, 28, 27, 32, 36, 40, 44, 48, 52       | D. 后端口<br>F. 侧面端口 (位于后盖上)<br>A. 侧端口 (位于本体上) | 1.SAE flange port (only for the displacement below 36mL/r)<br>Inlet: $\Phi 25; 52.4 \times 26.2; 4-M10 \times 1.25$<br>Outlet: $\Phi 20; 47.6 \times 22.2; 4-M10 \times 1.25$ | H: 水平2个螺栓: 106<br>H1: 卧式2个螺栓: 130 | 1.SAE spline: 16/32DP, Teeth No.: 13, Length: 42<br>2.flat key (dia. $\Phi 20$ )<br>9.Special | L: 左旋转 (逆时针)<br>R: 右旋转 (顺时针)                            |                       |
| 2.G螺纹 (JSB2351) 与PF相同<br>S: 进口G1 出口G3/4<br>3.W螺纹<br>9.特别的   |   |  |   |   |                                   |   |   |                       |
| 3.G screw thread (JSB2351) same as PF<br>S: Inlet: G1 Outlet: G3/4<br>3.W screw thread<br>9.Special |   |  |   |   |                                   |   |   |                       |

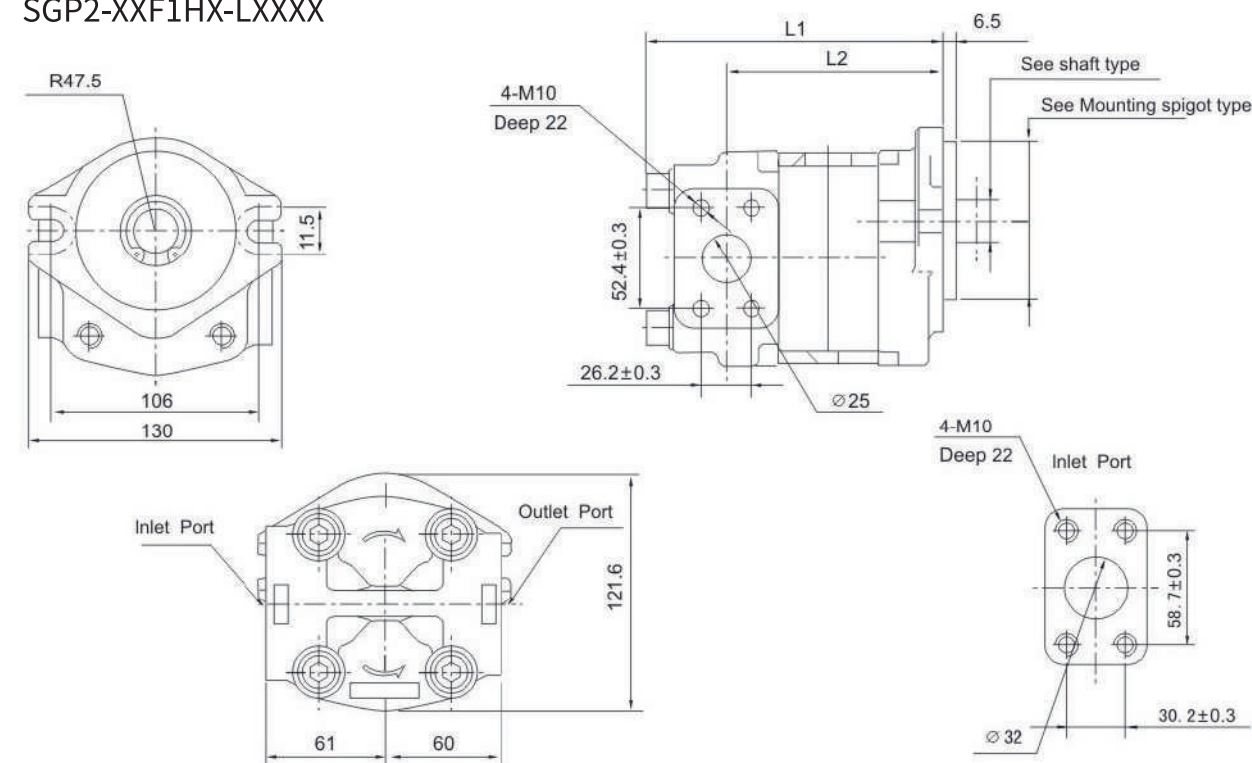
### 性能参数

Performance parameter

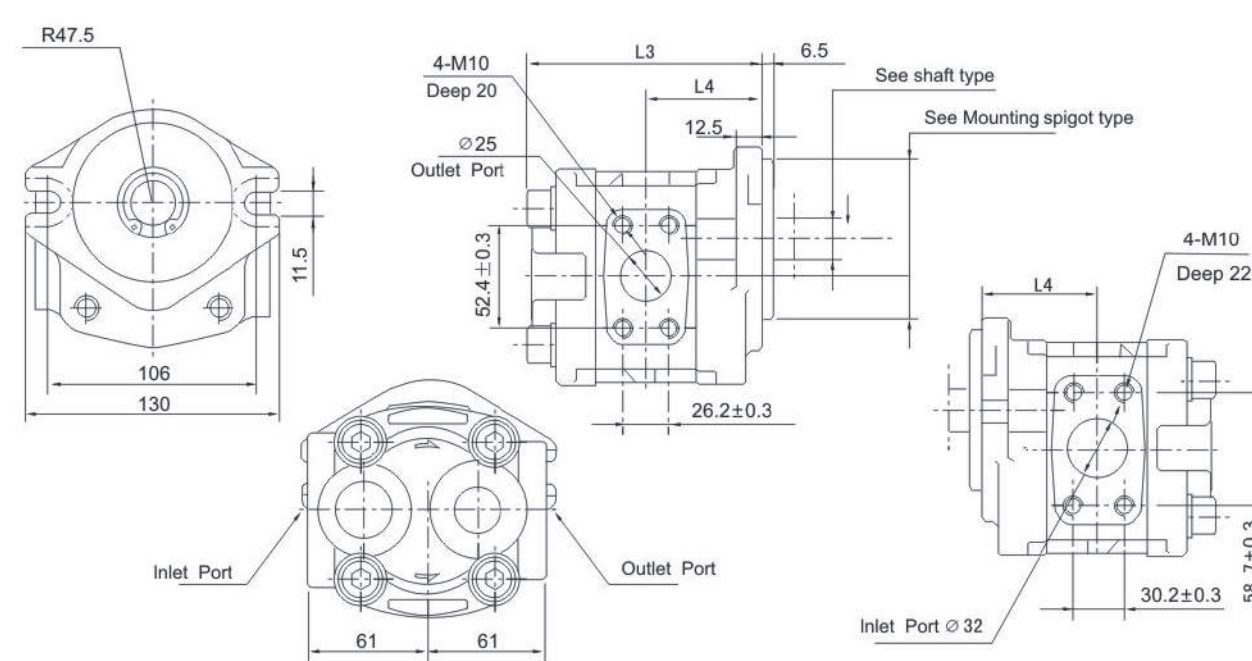
Models	Nominal displacement (mL/r)	Pressure (Mpa)		Rotation speed (r/min)		Inlet pressure Mpa	Weight (kg)
		Rated	Max	Min	Max		
SGP1-20	20	24.5	29.4	400	3000	-0.02~0.2	4.9 (4.4)
SGP1-23	23						5.1 (4.6)
SGP1-25	25						5.3 (4.8)
SGP1-27	27						5.4 (4.9)
SGP1-32	32						5.7 (5.1)
SGP1-36	36						5.9 (5.3)
SGP1-40	40	22.6	27.5	3000 (2500)		-0.02~0.2	6.1 (5.4)
SGP1-44	44	20.6	24.5				6.3 (5.6)
SGP1-48	48	18.6	22.6				6.6 (5.9)
SGP1-52	52	17.2	20.6	3000 (2500)			6.8 (6.1)

### Layout

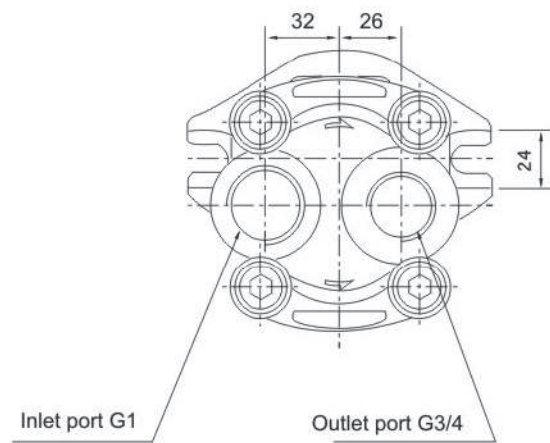
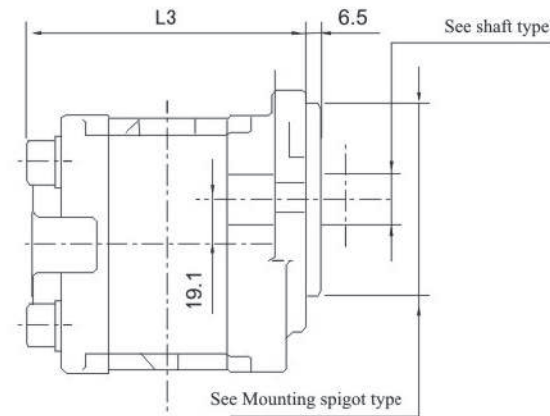
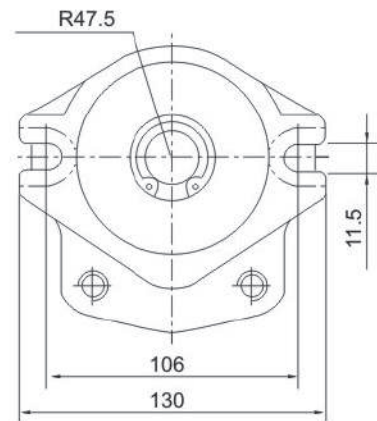
#### SGP2-XXF1HX-LXXXX



#### SGP2-XXA1HX-LXXXX

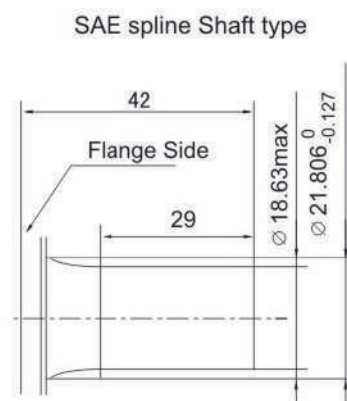


SGP2-XXD2HX-LXXXX



Nominal Displacement	L1	L2	L3	L4
20	140.9	99.6	107.4	52.8
23	143.9	102.6	110.4	54.3
25	145.9	104.6	112.4	55.3
27	147.9	106.6	114.1	56.3
32	152.9	111.6	119.4	58.8
36	156.9	115.6	123.4	60.8
40	160.9	119.6	127.4	62.8
44	164.9	123.6	131.4	64.8
48	168.9	127.6	135.4	66.8
52	172.9	131.6	139.4	68.8

Dimension of shaft end



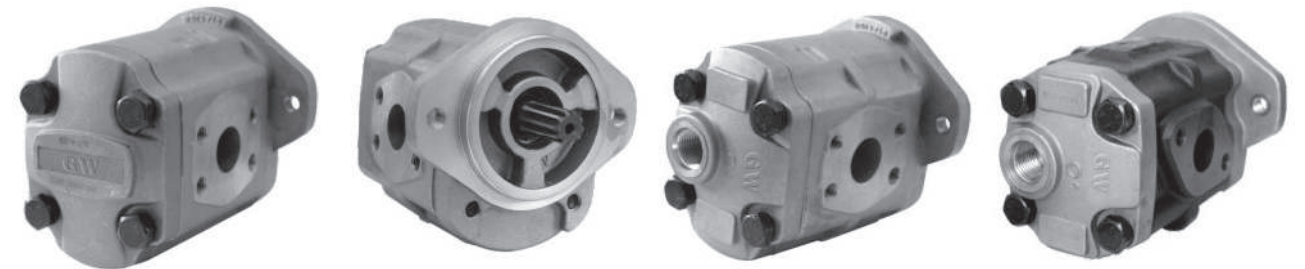
Teeth No.	13
D.P.	16/32
Pressure angle	30°
Distance of measuring bar	24.819~24.891
Diameter of measuring bar	Φ3.048

KZP4/KRP4系列齿轮泵

KZP4/KRP4 Series Gear Pump

KZP4/KRp4系列齿轮泵采用高强度铝合金材料和先进的轴向间隙浮动技术自动补偿、半径平衡、DU自润滑和双压力角齿轮,使泵具有容积效率高、压力高、噪音低、抗冲击能力强、寿命长等特点,广泛应用于 矿山机械、轻工机械、环卫机械、农业机械及叉车、装载机、挖掘机、压路机、起重机等工程机械行业、ETC。

KZP4/KRp4 series gear pumps adopt the material of high strength aluminum alloy and advanced technologies of axial clearance floating automatic compensation, radius balance, DU self-lubrication and gear with double pressure angles, making the pumps with the features of high volumetric efficiency, high pressure, lower noise, strong shock resistance, long lifetime, etc. The pumps are widely used in the industries of mining machinery, light industry machinery, environment sanitation machinery, agricultural machinery and the engineering machinery of forklift, loader, excavator, road roller, crane, etc.



型号说明

Model descriptions

KZP4、KRP4 — ① ② ③ ④ ⑤ ⑥ ⑦

① KZP4、KRP4

② 公称排量 (mL/r)

Nominal displacement (mL/r)

7、9、12、14、17、19、23、27、33

③ 旋转方向 (从轴端看)

Direction of rotation (from shaft end)

A:左旋转 (逆时针)

L:Left rotation (counterclockwise)

C:右旋转 (顺时针)

R:Right rotation (clockwise)

④ 轴型

Shaft type

P 直线花键 S:SAE 花键

P Straight spline S:SAE spline

T 型锥轴 X:渐开线花键

T Taper shaft X:Involute spline

⑤ 接口配置

1.SAE法兰口 (仅适用于排量36mL/r以下)

进口:Φ25;52.4\*26.2;4-M10\*1.25

出口:Φ25;52.4\*26.2;4-M10\*1.25

D.进口:SAE法兰

出口:7/8-14UNF

Port configuration

S.SAE

SAE flange port

Inlet:Φ25;52.4\*26.2;3/8-16UNC(M10\*1.25)

Outlet:Φ18;47.6\*22.2;3/8-16UNC(M10\*1.25)

D.Inlet:SAE法兰 SAE flange

Outlet:7/8-14UNF

S:SAE

SAE螺纹接口

进口:1 1/16 -12UNC

出口:7/8-14UNF

S:SAE

SAE screw thread port

Inner: 1 1/16 -12UNC

Outlet:7/8-14UNF

⑥ 端口位置

Position of ports

R.进、出口均在侧面 (本体)

R.Inlet, outlet both at the side (on body)

A.入口位于本体,出口位于盖板正面

A.Inlet on body, outlet on cover front

⑦ 安装方式

Mounting

B:水平2个螺栓:106.2

H:Horizontal 2 bolts:106.2

螺栓:M10\*1.25

Bolts:M10\*1.25

内孔:Φ11

Inner bore:Φ11

D.水平2个螺栓:106.2开口

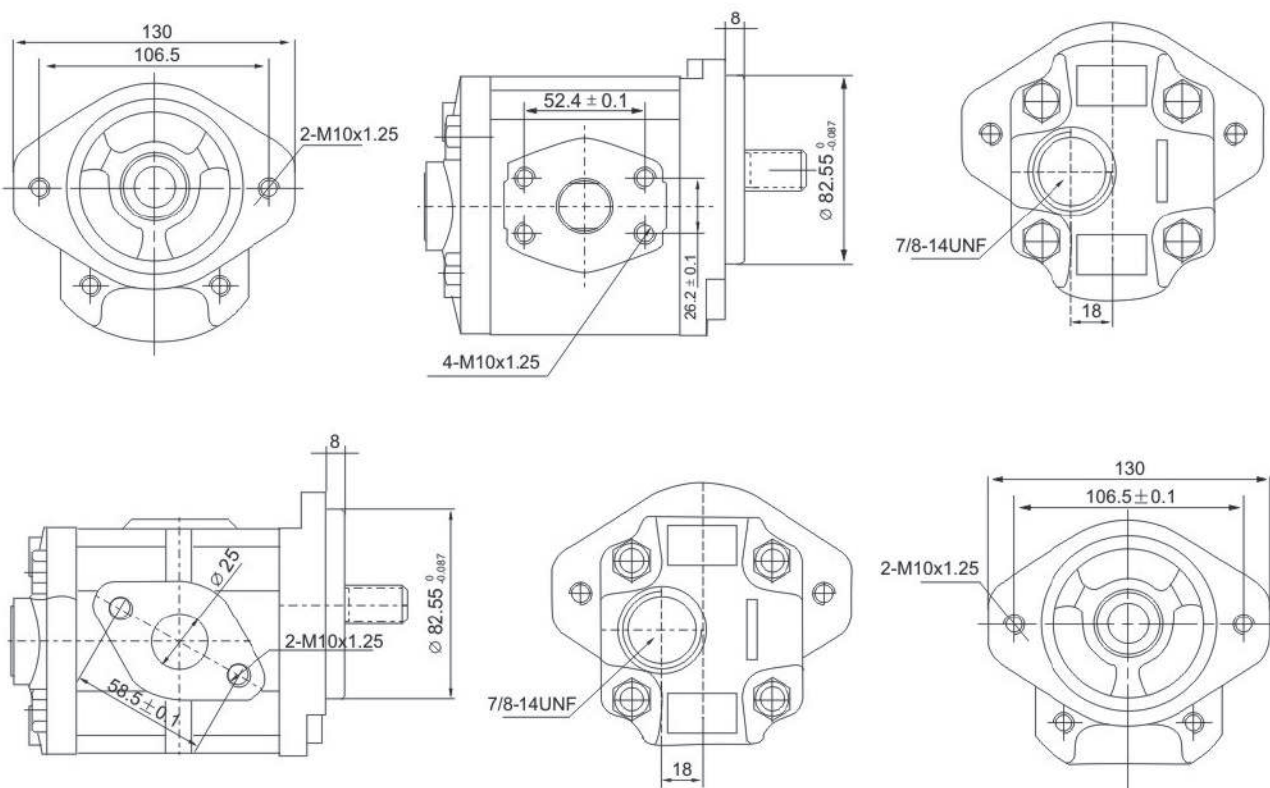
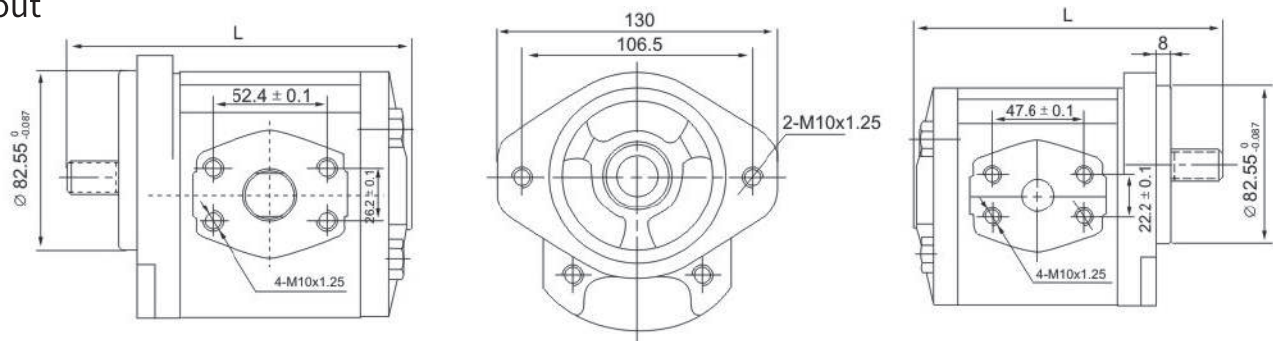
D. Horizontal 2 bolts:106.2Opening

性能参数

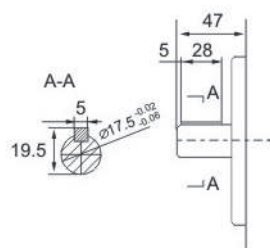
Performance parameter

Models	Nominal displacement (mL/r)	Max Pressure (Mpa)	Rotation speed (r/min)		Weight (kg)
			Min	Max	
KZP4/KRP4-7	7.0	17.2	500	3500	2.3
KZP4/KRP4-9	9.4				2.4
KZP4/KRP4-12	11.9				2.5
KZP4/KRP4-14	14.8		650		3.0
KZP4/KRP4-17	16.8				3.1
KZP4/KRP4-19	19.2				3.2
KZP4/KRP4-23	22.9	15.7	2500	3.3	
KZP4/KRP4-27	26.5			3.4	
KZP4/KRP4-33	33.3			13.7	3.5

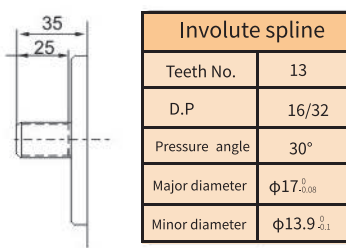
配置 Layout



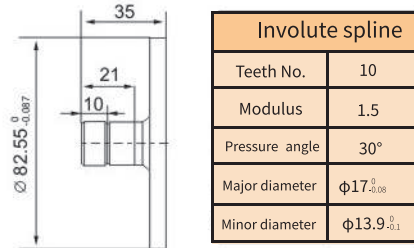
平键 Plain key



渐变花键 Involute spline



SAE花键 SAE spline



DSG06系列齿轮泵

DSG06 Series Gear Pump



DSG06系列齿轮油泵采用双模数不对称齿形齿轮、双泵结构和轴向间隙自动补偿浮动侧板技术,有利于提高整套设备的性能,具有低噪音、智能、该泵具有容积效率高、寿命长、可靠性高等特点,适用于要求低噪音的电动起重运输机械。

DSG06 series gear oil pumps, which adopt the technologies of double modulus gear with asymmetric tooth, double-pump structure and floating side plate with automatic compensation of axial clearance, will help improve the performance of the whole equipment with features of lower noise, smart, high volumetric efficiency, long lifetime, high reliability, etc. The pumps are applied in electric hoisting and conveying machinery where low noise is required.

型号说明

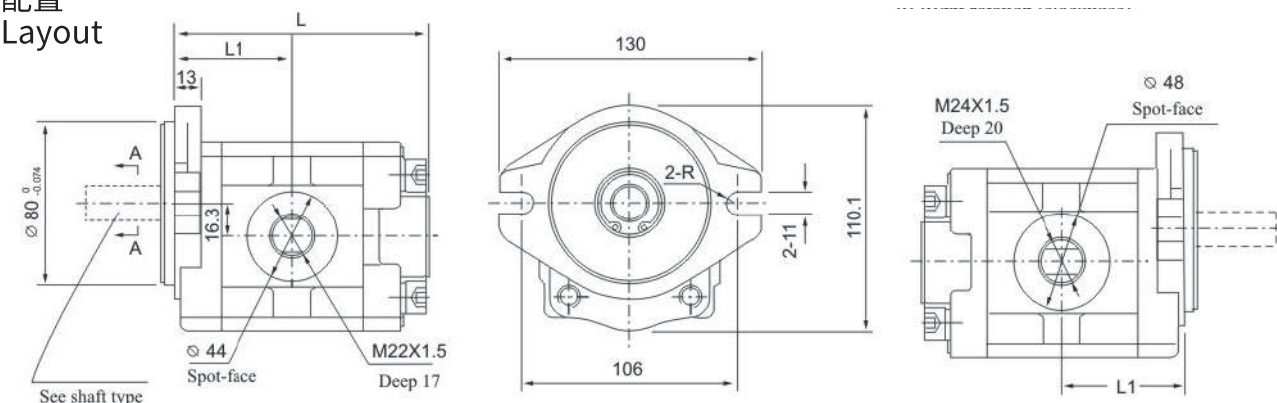
Model descriptions

DSG06 - F \*\* - A L \* \*

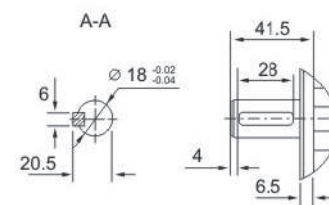
- ① 产品编号
- ② 压力等级 F:20MPa
- ③ 公称排量 (mL/r)
- ④ 安装方式  
A:菱形法兰  
B:带螺纹孔菱形法兰
- ⑤ 泵口  
L:英寸螺纹连接  
T:特殊螺纹连接  
LG:米特里螺纹连接
- ⑥ 轴型  
P:直键  
H:矩形花键  
φ:SAE花键
- ⑦ 旋转方向  
L:左旋转(逆时针)  
R:右旋转(顺时针)

- Product code
- Pressure grade F:20MPa
- Nominal displacement(mL/r)
- Installation type  
A:Rhombic flange  
B:Rhombic flange with screw hole
- Pump port  
L:inch threaded connection  
T:special threaded connection  
LG:metrie threaded connection
- Shaft type  
P:straight key  
H:rectangular spline  
φ:SAE spline
- Direction of rotation  
L:Left rotation(counterclockwise)  
R: Right rotation (clockwise)

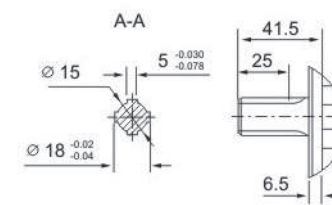
配置 Layout



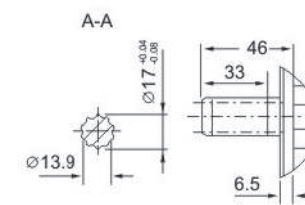
平键 Plain key



渐变花键 Involute spline



SAE花键 SAE spline



D.P	16/32
Teeth NO.	10
Pressure angle	30°
Teeth root type	Flat teeth root
Minor diameter	φ17
Minor diameter	φ13.9

性能参数

Performance parameter

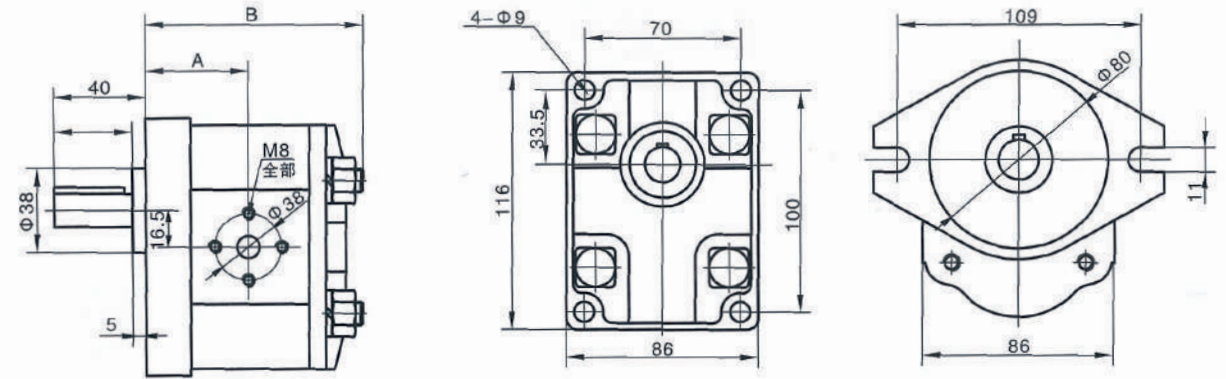
Models	Nominal displacement (mL/r)	Pressure(Mpa)		Rotation speed(r/min)			Volumetric Efficiency (≥%)	L	L	Weight (kg)
		Rated	Max	Min	Rated	Max				
DSG06-F11-AL**	11	20	25	500	2000	3000	90	57	123	3.5
DSG06-F12-AL**	12							57.5	124	3.6
DSG06-F14.5-AL**	14.5							59.5	128	3.7
DSG06-F16-AL**	16							60.5	130	3.8
DSG06-F18-AL**	18							62	133	3.9
DSG06-F20-AL**	20							63.5	136	4.0

# CBN-300系列齿轮泵

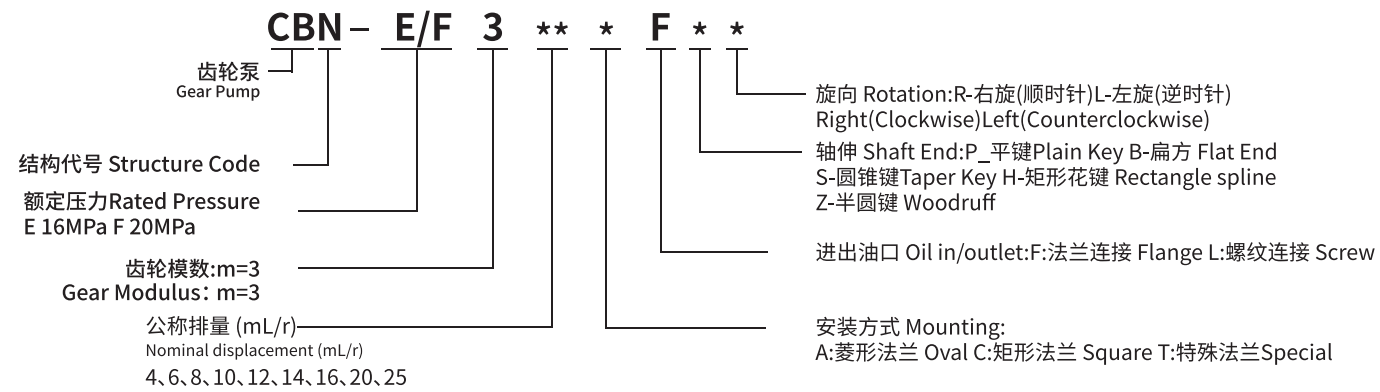
CBN-300 Series Gear Pump

CBN-300系列齿轮泵是液压系统中的动力元件。该泵采用高精度齿轮、高强度铝合金壳体、浮动轴套，使其具有结构简单、重量轻、效率、噪声低、使用可靠等优点，广泛适用于汽车、工程机械、起重运输机械、矿山机械、轻工机械、农业机械以及工业自动化等液压系统中。

CBN-300 series gear pump is the power component in the hydraulic system. The pump adopts high-precision gears, high-strength aluminum alloy casing, and floating bushings, which make it have the advantages of simple structure, light weight, efficiency, low noise, and reliable use. It is widely used in automobiles, engineering machinery, lifting and transportation machinery, In hydraulic systems such as mining machinery, light industrial machinery, agricultural machinery and industrial automation.



## D 型号说明 Model Coding



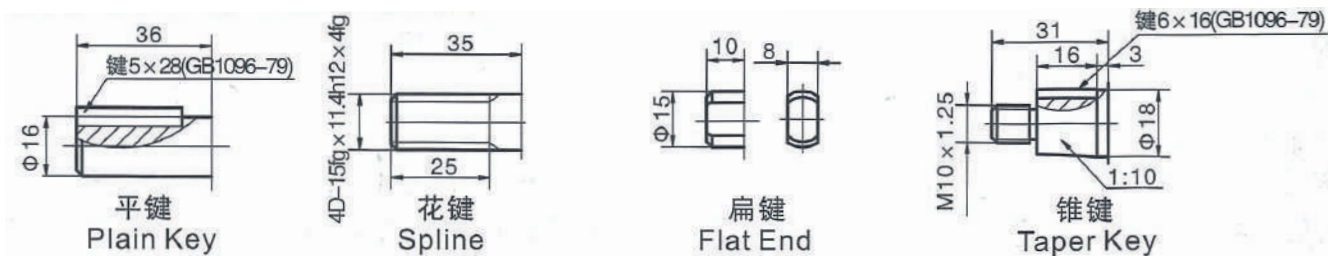
## 性能参数

Performance parameter

Models	Nominal displacement (mL/r)	Pressure(Mpa)		Rotation speed(r/min)		Volumetric Efficiency (≥%)	Input Power (kw)
		Rated	Max	Rated	Max		
CBN-E(F)304	4	E16 F20	E20 E25	2000	3000	≥92	3.0
CBN-E(F)306	6						4.6
CBN-E(F)308	8						6.1
CBN-E(F)310	10						7.7
CBN-E(F)312	12						9.0
CBN-E(F)314	14						10.3
CBN-E(F)316	16						12.8
CBN-E(F)320	20						16.1
CBN-E(F)325	25						17.4

## 外形图

Outline Dimensions

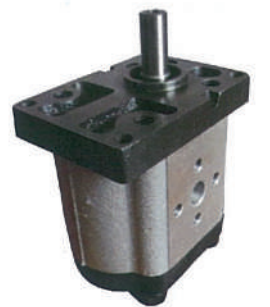


# CBN-G300系列齿轮泵

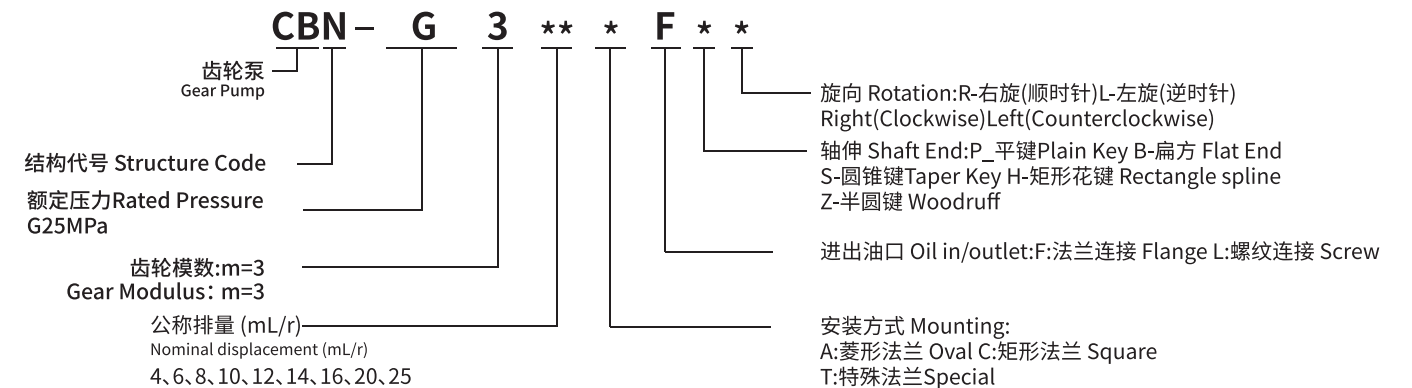
CBN-G300 Series Gear Pump

CBN-G300系列齿轮泵是液压系统中的动力元件。该泵采用高精度齿轮、高强度铝合金壳体、浮动轴套，以及DU衬套，使其具有结构简单、重量轻、高效率、噪声低、使用可靠等优点，广泛适用于汽车、工程机械、起重运输机械、矿山机械、轻工机械、农业机械等工业自动化液压系统中。

CBN-G300 series gear pump is the power component in the hydraulic system. The pump uses high-precision gears, high-strength aluminum alloy casing, floating bushings, and DU bushings, which make it have the advantages of simple structure, light weight, high efficiency, low noise, and reliable use. It is widely used in automobiles and engineering machinery, lifting and transportation machinery, mining machinery, light industrial machinery, agricultural machinery and other industrial automation hydraulic systems.



## 型号说明 Model Coding



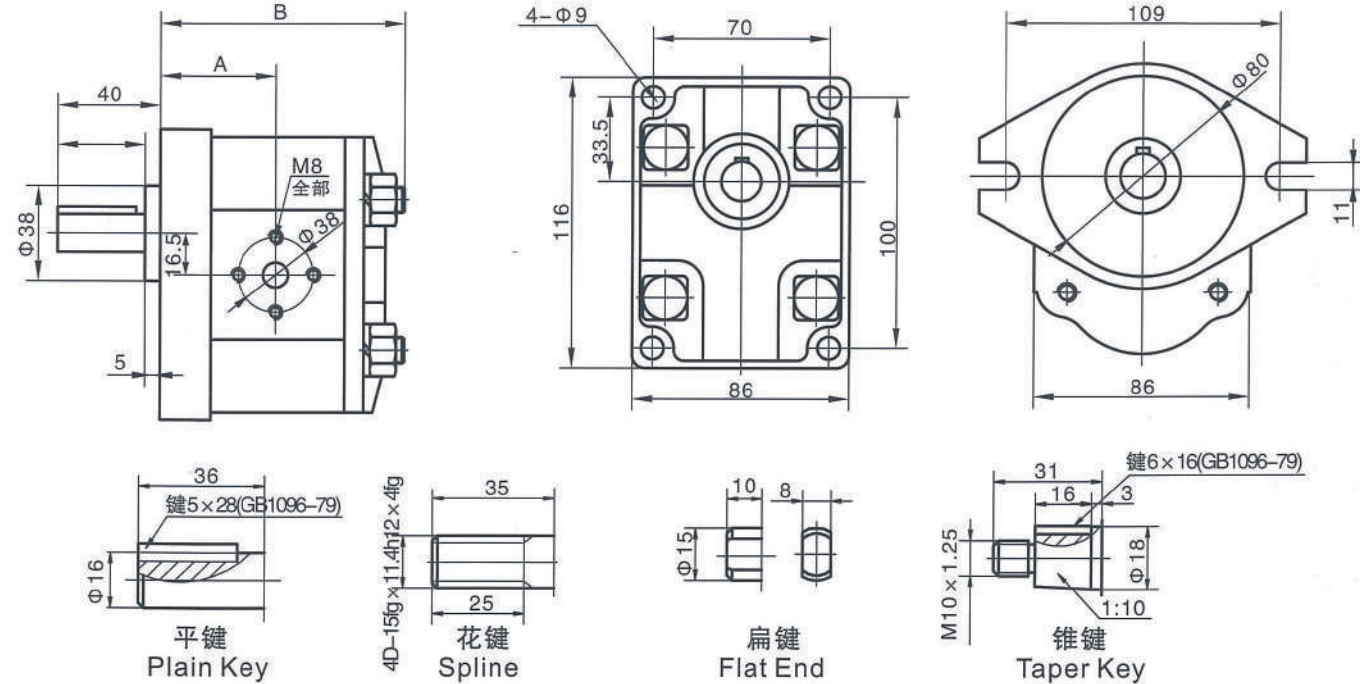
性能参数

Performance parameter

Models	Nominal displacement (mL/r)	Pressure(Mpa)		Rotation speed(r/min)		Volumetric Efficiency (≥%)	Input Power (kw)
		Rated	Max	Rated	Max		
CBN-G304	4	25	31.5	2000	3000	≥92	4.7
CBN-G306	6						7.1
CBN-G308	8						9.5
CBN-G310	10						12
CBN-G312	12						13.5
CBN-G314	14						15.6
CBN-G316	16						18.7
CBN-G320	20						25
CBN-G325	25						26

外形图

Outline Dimensions



Models	Nominal displacement (mL/r)	Nominal displacement (mL/r)	Rotation speed(r/min)	
			Rated	Max
CBN-G304	43.3	98.5	φ14 (M20x1.5, ZG1/2")	φ10 (M18x1.5, ZG3/8")
CBN-G306	45	45		
CBN-G308	46.5	105		
CBN-G310	48	108	φ18 (M20x1.5, ZG3/4")	φ14 (M20x1.5, ZG1/2").
CBN-G312	49.5	111		
CBN-G314	51	114		
CBN-G316	52.6	117		
CBN-G320	56	124		
CBN-G325	60	130		

CBT-F300系列齿轮泵

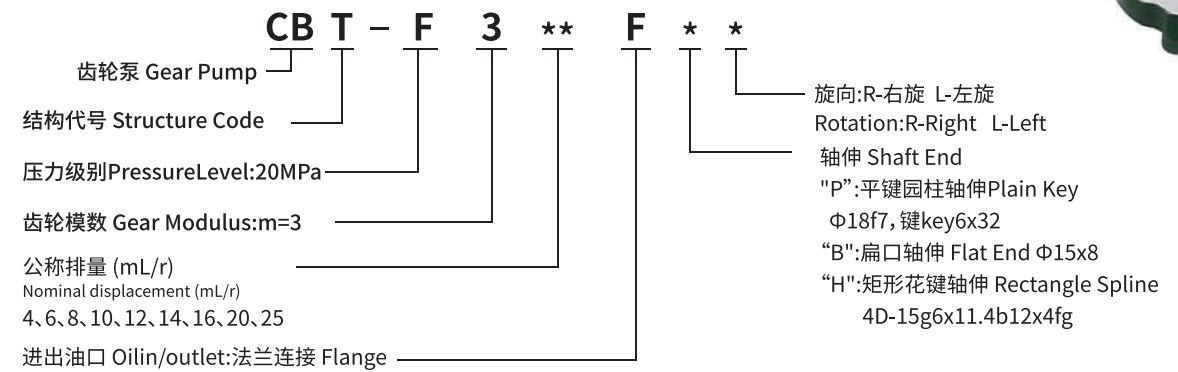
CBT-F300 Series Gear Pump

CBT-F300系列齿轮泵是液压系统中的动力元件。该泵采用高精度齿轮、高强度铝合金壳体、浮动轴套，以及DU衬套，使其具有结构简单、重量轻、高效率、噪声低、使用可靠等优点，广泛适用于汽车、工程机械、起重运输机械、矿山机械、轻工机械、农业机械等工业自动化液压系统中。

CBN-300 series gear pump is the power component in the hydraulic system. The pump uses high-precision gears, high-strength aluminum alloy casing, floating bushings, and DU bushings, which make it have the advantages of simple structure, light weight, high efficiency, low noise, and reliable use. It is widely used in automobiles and engineering machinery, lifting and transportation machinery, mining machinery, light industrial machinery, agricultural machinery and other industrial automation hydraulic systems.

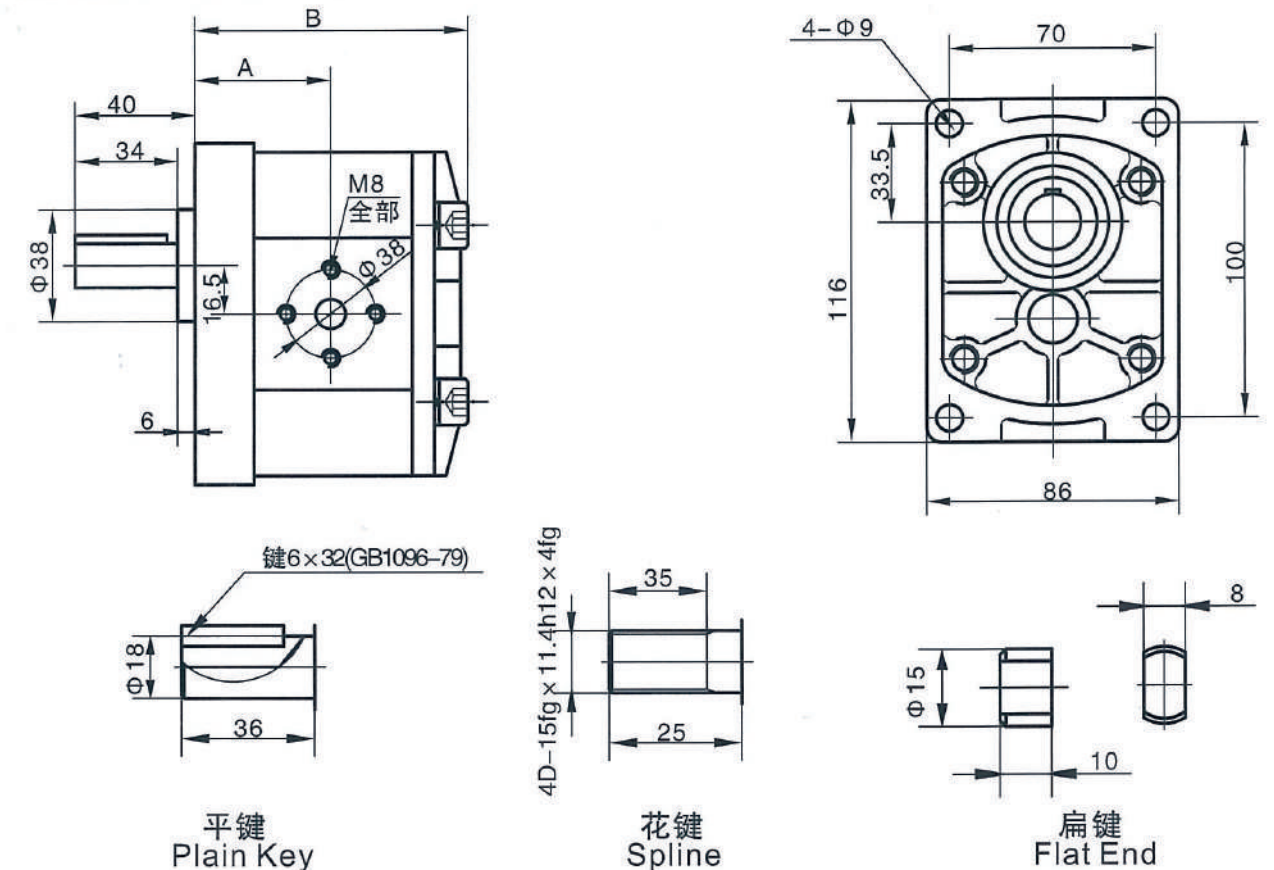


型号说明 Model Coding



外形图

Outline Dimensions



性能参数

Performance parameter

Models	Nominal displacement (mL/r)	Pressure(Mpa)		Rotation speed(r/min)			A(mm)	B(mm)
		Rated	Max	Min	Rated	Max		
CBT-F306	6	20	25	2000	3000	600	47	103
CBT-F308	8	20	25	2000	3000	600	49	106.5
CBT-F310	10	20	25	2000	3000	600	50	109
CBT-F312	12	20	25	2000	3000	600	52	113
CBT-F314	14	20	25	2000	3000	600	53	115
CBT-F316	16	20	25	2000	3000	600	54.5	118
CBT-F320	20	20	25	2000	3000	600	58	125
CBT-F325	25	20	25	2000	3000	600	62	133

性能参数

Performance parameter

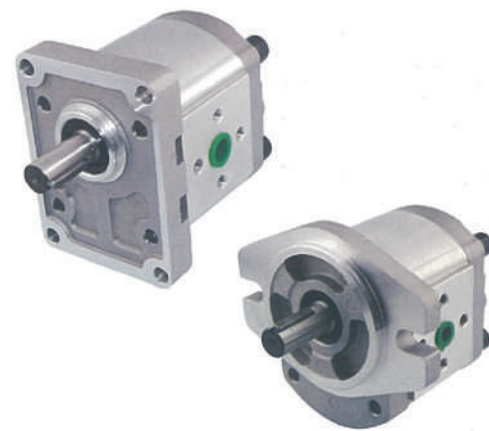
Models	Nominal displacement (mL/r)	Pressure(Mpa)		Rotation speed(r/min)		Volumetric Efficiency (≥%)	Input Power (kw)
		Rated	Max	Rated	Max		
CBW-F304	4	20	25	2000	3000	≥92	3.8
CBW-F306	6						5.7
CBW-F310	10						9.6
CBW-F314	14						12.5
CBW-F316	16						15.0
CBW-F320	20						20.0
CBW-F325	25						21.2

CBW-F300系列齿轮泵

CBW-F300 Series Gear Pump

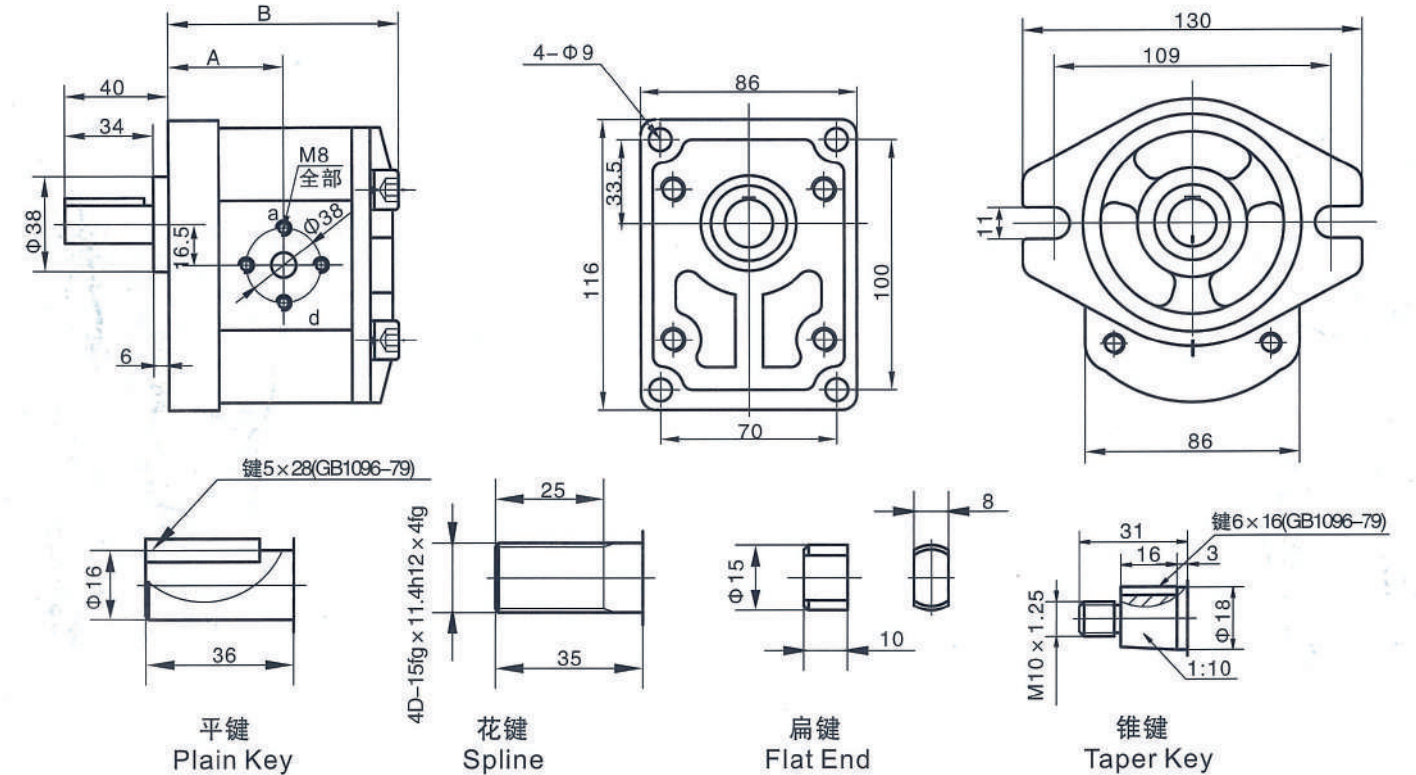
CBW-F300系列齿轮泵是液压系统中的动力元件。该泵采用高精度齿轮、高强度铝合金壳体、浮动轴套，以及DU衬套，使其具有结构简单、重量轻、高效率、噪声低、使用可靠等优点，广泛适用于汽车、工程机械、起重运输机械、矿山机械、轻工机械、农业机械等工业自动化液压系统中。

CBW-300 series gear pump is the power component in the hydraulic system. The pump uses high-precision gears, high-strength aluminum alloy casing, floating bushings, and DU bushings, which make it have the advantages of simple structure, light weight, high efficiency, low noise, and reliable use. It is widely used in automobiles and engineering machinery, lifting and transportation machinery, mining machinery, light industrial machinery, agricultural machinery and other industrial automation hydraulic systems.

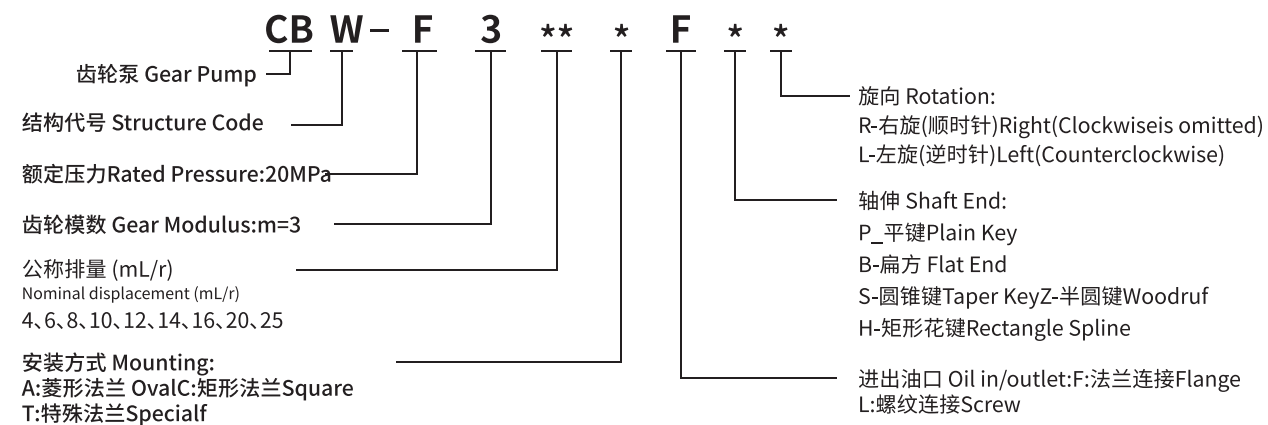


外形图

Outline Dimensions



型号说明 Model Coding



Models	A	B	FLANGE				SCREW		Weight (kg)
			Inlet		Outlet		Inlet	Outlet	
			a	d	a	d			
CBW-F304**	43.3	93	40	14	35	10	M20×1.5 铰平 φ36	M18×1.5 铰平 φ30	2.3
CBW-F306**	45	96.5		14		10			2.4
CBW-F310**	48	102.5		18		14			2.6
CBW-F314**	51	108.5		18		14			2.8
CBW-F316**	53	112.5		20		16			2.9
CBW-F320**	56.5	119.5		20		16			3.1

AC安装方式: a=φ38, 进口φ18, 出口φ14

# CBS-D300系列齿轮泵

CBS-D300 Series Gear Pump

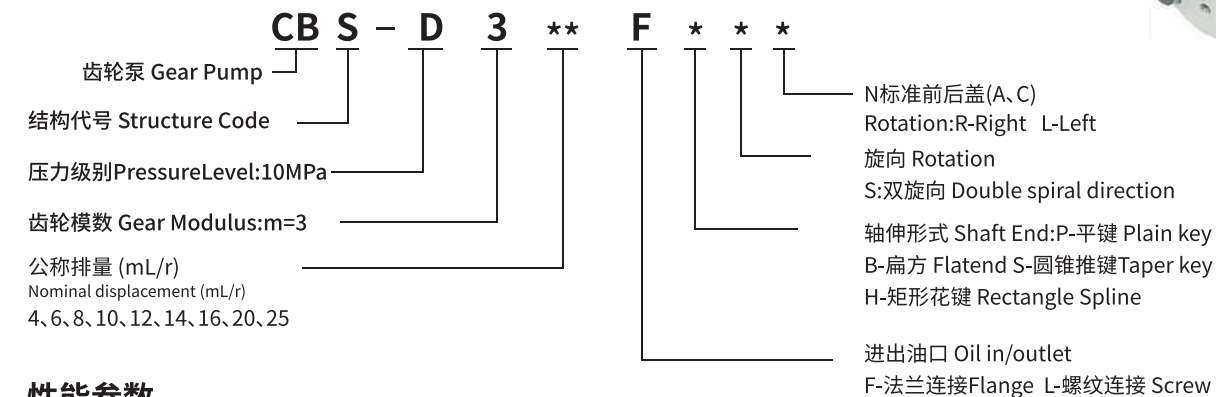
CBS-D300系列齿轮泵,是液压系统中的动力元件。该泵采用高强度铝合金壳体、高精度齿轮、浮动轴承、使其具有结构简单,重量轻,噪声低,使用可靠等优点。广泛用于液压推杆等液压系统中。

CBS-D300 series gear pump is the power component in the hydraulic system. The pump adopts high-strength aluminum alloy casing, high-precision gears and floating bearings give it the advantages of simple structure, light weight, low noise, and reliable use. It is widely used in hydraulic systems such as hydraulic push rods.



D

## 型号说明 Model Coding



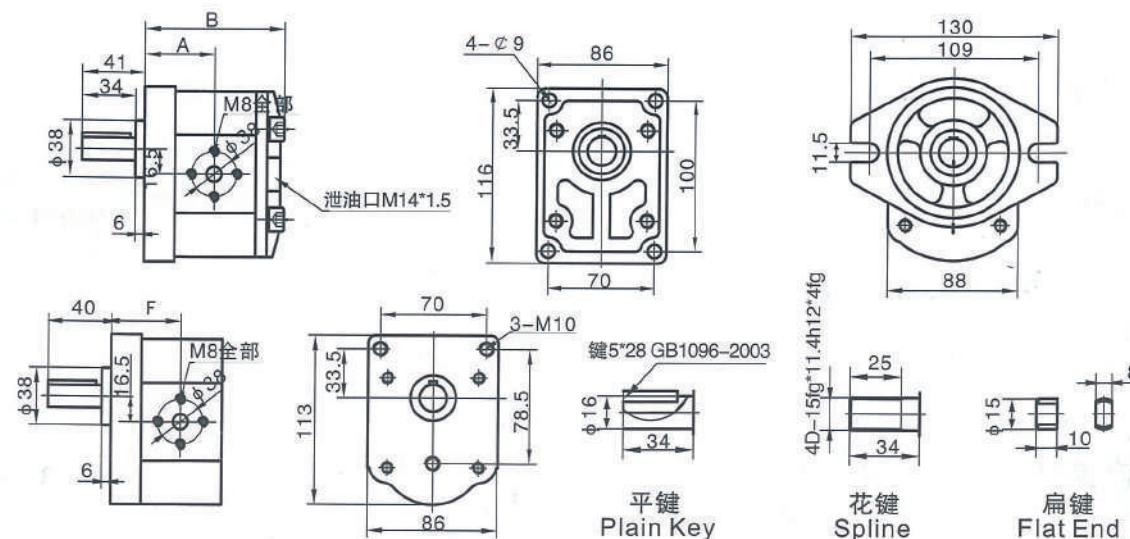
## 性能参数

Performance parameter

Models	Nominal displacement (mL/r)	Pressure (Mpa)		Rotation speed (r/min)		Volumetric efficiency	F	L
		Rated	Max	Rated	Max			
CBS-D304	04	10	12.5	1500	2500	≥92	43.25	68.5
CBS-D306	06						44	70
CBS-D308	08						45.5	73
CBS-D310	10						47	76
CBS-D312	12						48.5	79
CBS-D314	14						50	82
CBS-D316	16						51.5	85
CBS-D318	18						53.3	88.5
CBS-D320	20						55	92
CBS-D325	25						59.5	99

## 外形图

Outline Dimensions



# CBTs-F300系列齿轮泵

CBTs-F300 Series Gear Pump

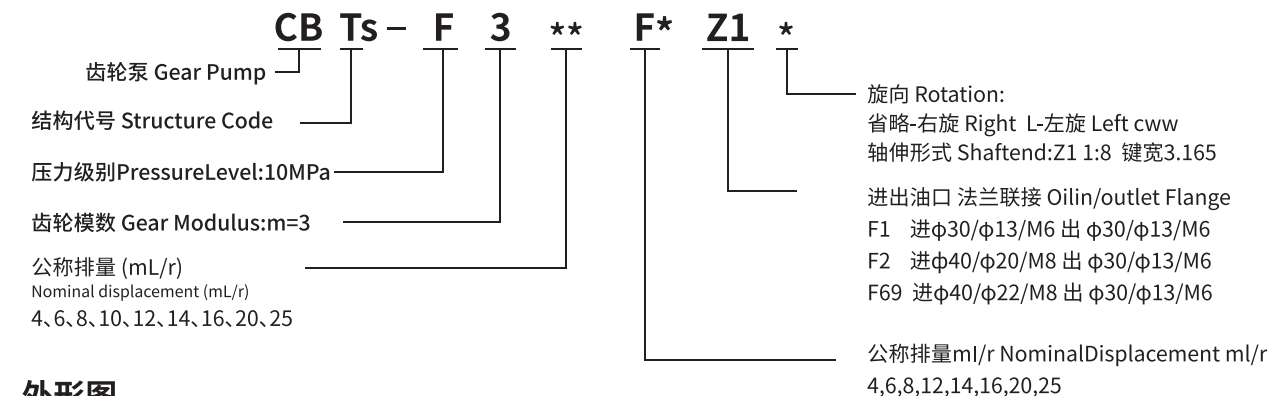
CBTs-F300系列齿轮泵采用高强度铝合金材料、轴向间隙补偿、径向平衡、DU套自润滑等多项技术,它具有容积效率高、压力高、噪音低、抗振性强、寿命长等特点,广泛应用于汽车设备、搬运设备轻工自动化设备等微型动力单元液压系统中。

CBTs-F300 series gear pumps are made of high-strength aluminum alloy materials, axial clearance compensation, radial balance, and DU sleeve automatic Lubrication and many other technologies, it has the characteristics of high volumetric efficiency, high pressure, low noise, strong vibration resistance, long life, etc., and is widely used in micro power unit hydraulic systems such as automotive equipment, handling equipment, light industrial automation equipment, etc.



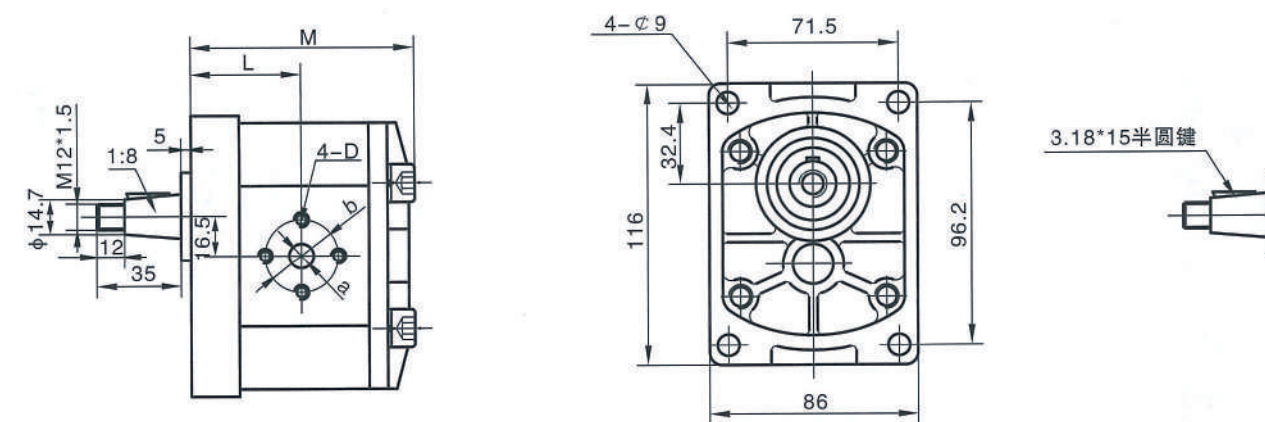
D

## 型号说明 Model Coding



## 外形图

Outline Dimensions



## 性能参数

Performance parameter

Models	Nominal displacement (mL/r)	Pressure (Mpa)		Rotation speed (r/min)		Inlet port		outlet port					
		Rated	Max	Rated	Max	L	M	a	b	D			
								a	b	D			
CBTs-F306	6	20	25	2000	3000	46	95	13	30	M6	13	30	M6
CBTs-F308	8	20	25	2000	3000	48	98	13	30	M6	13	30	M6
CBTs-F310	10	20	25	2000	3000	49	101	20	40	M8	13	30	M6
CBTs-F312	12	20	25	2000	3000	51	105	20	40	M8	13	30	M6
CBTs-F314	14	20	25	2000	3000	52	107	20	40	M8	13	30	M6
CBTs-F316	16	20	25	2000	3000	54	111	20	40	M8	13	30	M6
CBTs-F320	20	20	25	2000	3000	57	117	20	40	M8	13	30	M6
CBTs-F323	20	20	25	2000	3000	57	117	20	40	M8	13	30	M6
CBTs-F325	25	20	25	2000	3000	61	125	22	40	M8	13	30	M6
CBTs-F328	28	16	20	2000	3000	61	125	22	40	M8	13	30	M6
CBTs-F330	30	16	20	2000	3000	61	125	22	40	M8	13	30	M6

# CBD-F300系列齿轮泵

CBD-F300 Series Gear Pump

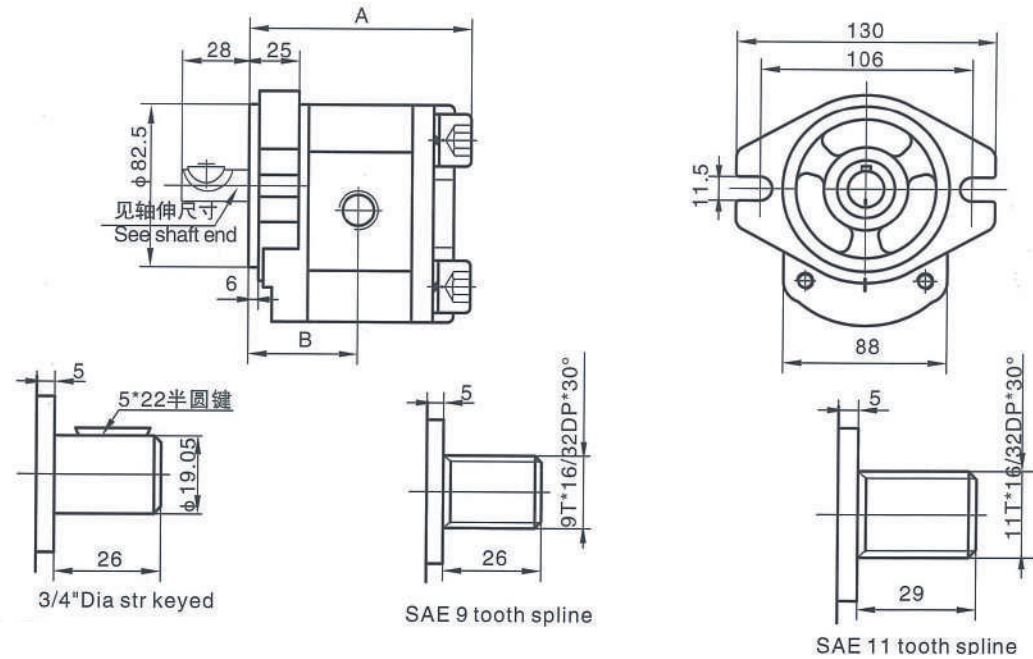
## 型号说明 Model Coding

**CB D - F 3 \*\* L \* \***  
① ② ③ ④ ⑤ ⑥ ⑦ ⑧

- ① 齿轮泵 Gear Pump
- ② 结构代号 Strcture Code
- ③ 压力级别:20MPa Pressure Grade
- ④ 齿轮模数m=3 Gear Moudule:m=3
- ⑤ 公称排量(ml/r)6,8,10,12,14,16,20,25 Nominal Dischanrge ml/r
- ⑥ 进出口螺纹连接 Oil in/outlet Thread connection
- ⑦ 轴伸:P1-5/8"平键 P2-3/4"平键 S9-SAE9齿花键 S11-SAE11齿花键 Shaft:P1-5/8" Dia.str.keyed P2-3/4" Dia.str.keyed S9-SAE9 tooth spline S11-SAE11 tooth spline
- ⑧ 旋向:省略-右旋, L-左旋 Turn Direction None-Turn to right L-Turn to Left

## 外形图

Outline Dimensions



## 性能参数

Performance parameter

Models	Nominal displacement (mL/r)	Pressure (Mpa)		Rotation speed (r/min)			A	B	M	
		Rated	Max	Min	Rated	Max			Inlet	Outlet
CBTs-F306	6	20	25	2000	2000	600	103	45	7/8-14	3/4-16
CBTs-F308	8	20	25	2000	2000	600	106.5	47	7/8-14	3/4-16
CBTs-F310	10	20	25	2000	2000	600	109	48	7/8-14	3/4-16
CBTs-F312	12	20	25	2000	2000	600	113	50	1-5/16-12	1-1/16-12
CBTs-F314	14	20	25	2000	2000	600	115	51	1-5/16-12	1-1/16-12
CBTs-F316	16	16	20	2000	2000	600	119	52.5	1-5/16-12	1-1/16-12
CBTs-F320	20	16	20	2000	2000	600	125	56	1-5/16-12	1-1/16-12
CBTs-F325	25	16	20	2000	2000	600	133	60	1-5/16-12	1-1/16-12

# CBS/F-D300系列双向复合齿轮泵

CBS/F-D300 Series bidirectional compound gear pump

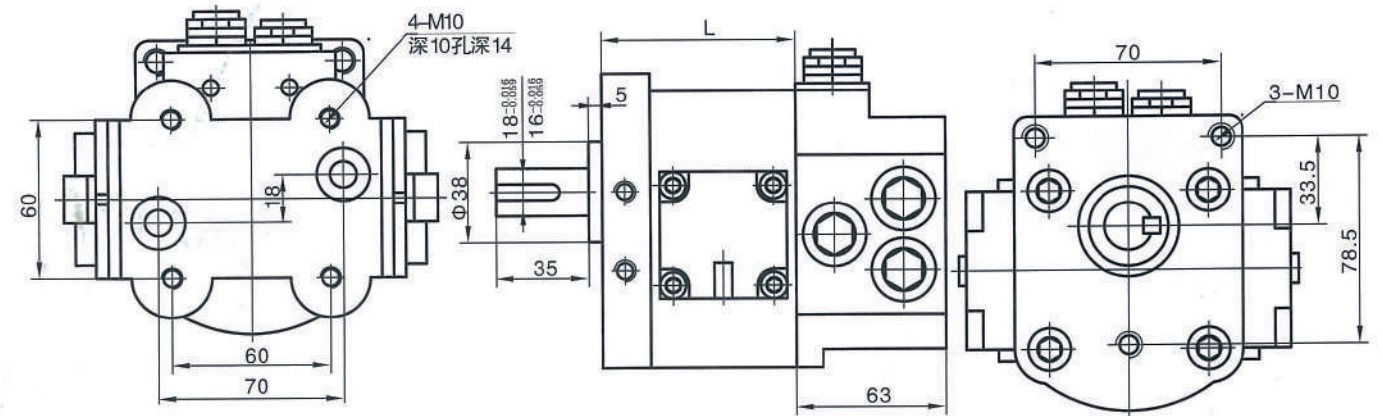
我公司生产的双向复合齿轮泵是一种齿轮泵和阀组装在一起的一个小型液压系统,它利用双向齿轮泵正反转来控制双作用油缸的来回动作,它结构非常紧凑,体积小,安装方便,而且我们的阀是插装式,有液控单向阀和溢流阀,起到了很好的保压,调节压力的功能,阀体底部输出的两个油口直接连接到油缸的A、B腔,所以说安装非常方便,非常经济,是我们液压行业做系统的首选产品。

The two-way compound gear pump produced by our company is a small hydraulic system in which a gear pump and a valve are assembled together. It uses the forward and reverse rotation of the two-way gear pump to control the back and forth movement of the double-acting cylinder. It has a very compact structure, small volume, and is easy to install. Convenient, and our valve is cartridge type, with hydraulic control check valve and relief valve, which plays a very good role in maintaining and regulating pressure. Function, the two output ports at the bottom of the valve body are directly connected to the A and B chambers of the oil cylinder, so the installation is very convenient and very convenient. Economic, it is the first choice product for making systems in our hydraulic industry.



## 外形图

Outline Dimensions



## 性能参数

Performance parameter

Models	Nominal displacement (mL/r)	Pressure (Mpa)		Rotation speed (r/min)		Volumetric efficiency	L
		Rated	Max	Min	Max		
CBS-D304	04	12	14	1500	2000	80	131.5
CBS-D306	06						135
CBS-D308	08						138
CBS-D310	10						141
CBS-D312	12						144
CBS-D314	14						147
CBS-D316	16						150
CBS-D318	18						153.5
CBS-D320	20						157
CBS-D325	22						164

# HGP-1A系列齿轮泵

HGP-1A Series gear pump

1. 高效率:精确细致的构造设计,此系列齿轮泵具有高容积效率与高机械效率。
2. 使用寿命长:性能优良的高抗磨性轴承于高压、高速的场合运转不致烧毁。
3. 重量轻、结构紧密精致。
4. 本体采用铝合金、高精度造型设计,声低。
5. 适合范围广,用于土木建设机械、产业车辆、搬运机械、农林渔业机械以及工业自动化等装置。

1. High efficiency: With precise and meticulous structural design, this series of gear pumps have high volumetric efficiency and high mechanical efficiency.
2. Long service life: High-performance and high-anti-wear bearings will not burn out when operating in high-pressure and high-speed situations.
3. Light weight, compact and exquisite structure.
4. The body is made of aluminum alloy, high-precision design and low sound.
5. Suitable for a wide range of applications, including civil construction machinery, industrial vehicles, handling machinery, agriculture, forestry and fishery machinery, and industrial automation.

## 型号说明 Model Coding

HGP-1A-F3-RX2B

HGP-1A	-F	3	-R	X	2B
系列号码 Series number	安装形式 Mounting	排量 Displacement	旋转方向(从轴端看) Rotation	心轴型式 Spindle type	法兰型式 Flange type
HGP-1A 定量齿轮泵 Gear Pump	F:法兰型Flange L:脚座型 Foot	1-8 参考性能参数表 Performance parameters table	R或省略:顺时针方向 Clockwise is omitted L:逆时针 Counterclockwise	X或省略Omit 标准轴平键 Standard shaft flat key	2B或省略:两孔安装式(标准型) 2 B or omitted: two hole installation type (standard) 4BJ或省略:四孔安装式(标准型) 4 BJ or omitted: four hole installation type (standard)

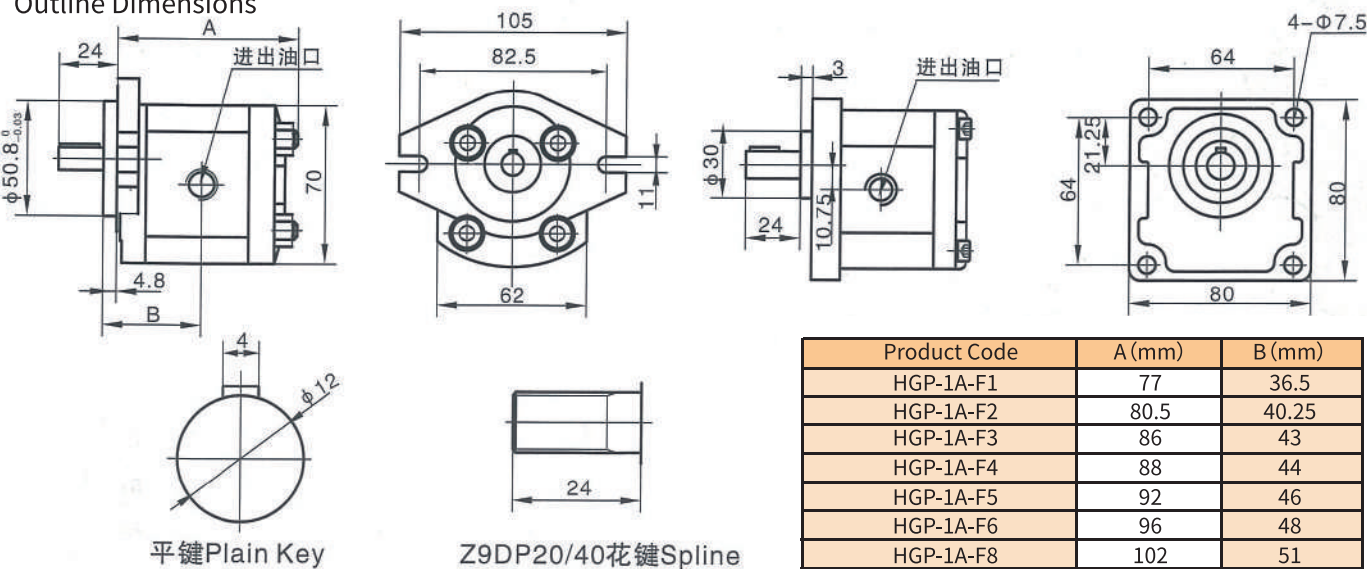
## 性能参数

Performance parameter

Models	排量 cc/rev Displacement	额定压力MPa Rated Pressure	最高瞬间压力MPa Max Pressure	转速Speed			进出口尺寸size		重量kg Weight
				额定Rated	最高Max	最低Min	进口Inlet	出口Outlet	
HGP-1A-F1	1	18	21	1500	4500	1000	3/8" PT	3/8" PT	1.0
HGP-1A-F2	2					1.05			
HGP-1A-F3	3					1.15			
HGP-1A-F4	4					1.18			
HGP-1A-F5	5					1.2			
HGP-1A-F6	6	12	14	3200	600	1/2" PT	1/2" PT	1.3	
HGP-1A-F7	7								1.3
HGP-1A-F8	7.8								1.3

## 外形图

Outline Dimensions



# HGP-2A系列齿轮泵

HGP-2A Series gear pump

1. 高效率:精确细致的构造设计,此系列齿轮泵具有高容积效率与高机械效率。
2. 使用寿命长:性能优良的高抗磨性轴承于高压、高速的场合运转不致烧毁。
3. 重量轻、结构紧密精致。
4. 本体采用铝合金、高精度造型设计,声低。
5. 适合范围广,用于土木建设机械、产业车辆、搬运机械、农林渔业机械以及工业自动化等装置。

1. High efficiency: With precise and meticulous structural design, this series of gear pumps have high volumetric efficiency and high mechanical efficiency.
2. Long service life: High-performance and high-anti-wear bearings will not burn out when operating in high-pressure and high-speed situations.
3. Light weight, compact and exquisite structure.
4. The body is made of aluminum alloy, high-precision design and low sound.
5. Suitable for a wide range of applications, including civil construction machinery, industrial vehicles, handling machinery, agriculture, forestry and fishery machinery, and industrial automation.

## 型号说明 Model Coding

HGP-2A-F3-RX4B

HGP-2A	-F	3	-R	X	4B
系列号码 Series number	安装形式 Mounting	排量 Displacement	旋转方向(从轴端看) Rotation	心轴型式 Spindle type	法兰型式 Flange type
HGP-2A 定量齿轮泵 Gear Pump	F:法兰型Flange L:脚座型 Foot	1-8 参考性能参数表 Performance parameters table	R或省略:顺时针方向 Clockwise is omitted L:逆时针 Counterclockwise	X或省略Omit 标准轴平键 Standard shaft flat key	2B或省略:两孔安装式(标准型) 2 B or omitted: two hole installation type (standard) 4BJ或省略:四孔安装式(标准型) 4 BJ or omitted: four hole installation type (standard)

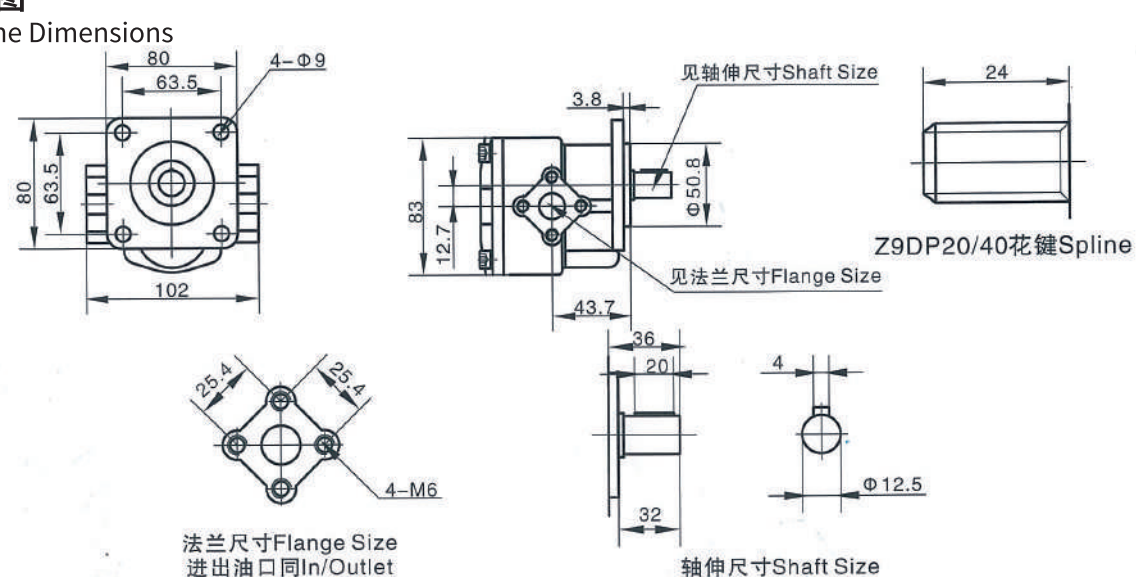
## 性能参数

Performance parameter

Models	排量 cc/rev Displacement	额定压力MPa Rated Pressure	最高瞬间压力MPa Max Pressure	转速Speed			进出口尺寸size		重量kg Weight
				额定Rated	最高Max	最低Min	进口Inlet	出口Outlet	
HGP-2A-F2	2	18	21	1500	5000	900	φ14.5 法兰连接 Flange	φ14.5 法兰连接 Flange	1.63
HGP-2A-F3	3					850			1.63
HGP-2A-F4	4					800			1.67
HGP-2A-F6	6					700			1.69
HGP-2A-F8	7.5					600			1.72
HGP-2A-F9	9	12	14	2000	500	500	500	500	1.75
HGP-2A-F10	9.9								1.76
HGP-2A-F11	10.5								1.77
HGP-2A-F12	12								1.80

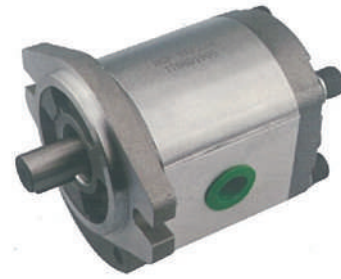
## 外形图

Outline Dimensions



# HGP-3A系列齿轮泵

HGP-3A Series gear pump



1. 高效率:精确细致的构造设计,此系列齿轮泵具有高容积效率与高机械效率。
2. 使用寿命长:性能优良的高抗磨性轴承于高压、高速的场合运转不致烧毁。
3. 重量轻、结构紧密精致。
4. 本体采用铝合金、高精密造型设计,声低。
5. 适用范围广,用于土木建设机械、产业车辆、搬运机械、农林渔业机械以及工业自动化等装置。

1. High efficiency: With precise and meticulous structural design, this series of gear pumps have high volumetric efficiency and high mechanical efficiency.
2. Long service life: High-performance and high-anti-wear bearings will not burn out when operating in high-pressure and high-speed situations.
3. Light weight, compact and exquisite structure.
4. The body is made of aluminum alloy, high-precision design and low sound.
5. Suitable for a wide range of applications, including civil construction machinery, industrial vehicles, handling machinery, agriculture, forestry and fishery machinery, and industrial automation.

### 型号说明 Model Coding

HGP-2A-F3-RX4B

HGP-2A	-F	3	-R	X	4B
系列号码 Series number	安装形式 Mounting	排量 Displacement	旋转方向(从轴端看) Rotation	心轴型式 Spindle type	法兰型式 Flange type
HGP-1A 定量齿轮泵 Gear Pump	F:法兰型Flange L:脚座型 Foot	1-8 参考性能参数表 Performance parameters table	R或省略:顺时针方向 Clockwise is omitted L:逆时针 Counterclockwise	X或省略Omit 标准轴平键 Standard shaft flat key	2B或省略:两孔安装式(标准型) 2 B or omitted: two hole installation type (standard) 4BJ或省略:四孔安装式(标准型) 4 BJ or omitted: four hole installation type (standard)

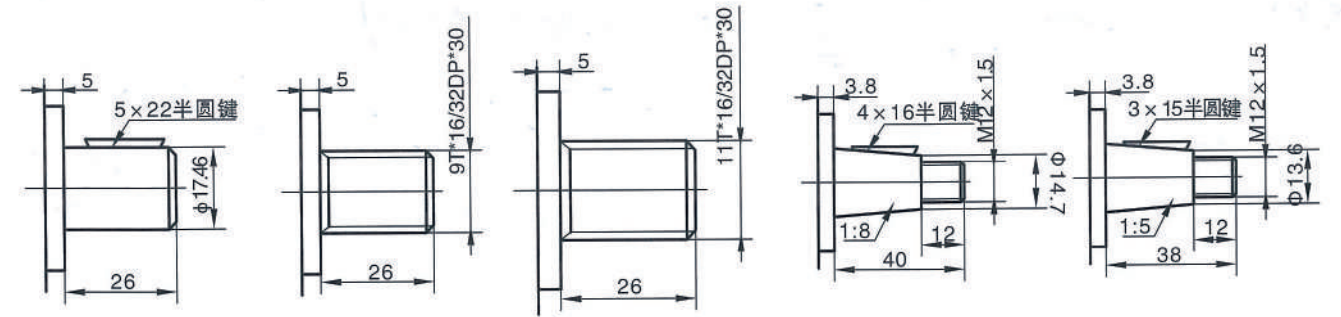
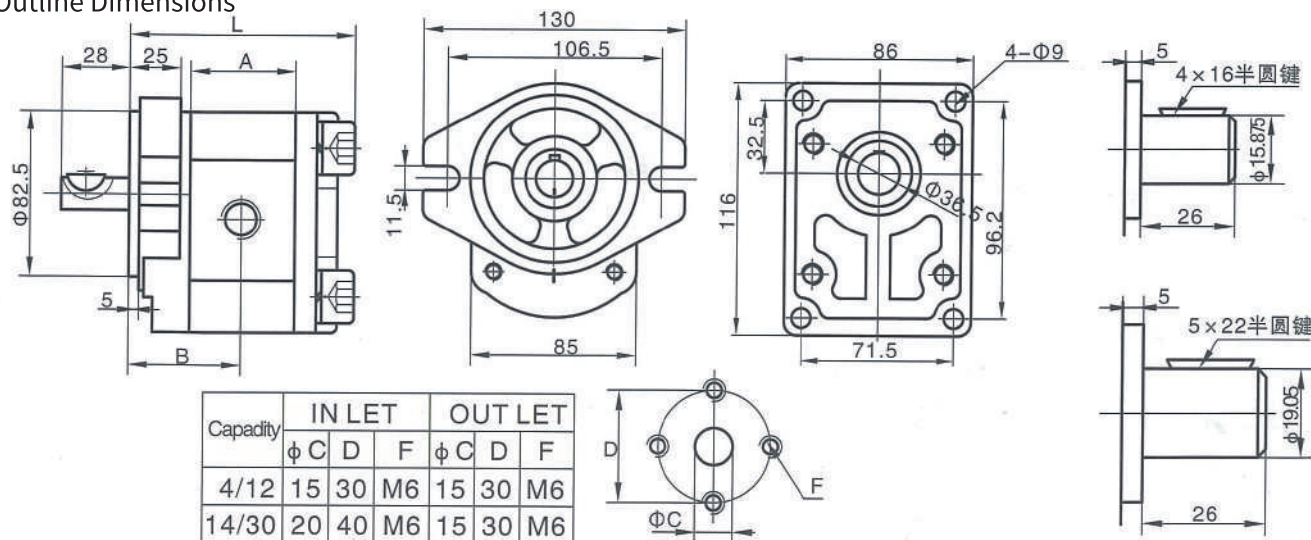
### 性能参数

Performance parameter

Models	排量 cc/rev Displacement	额定压力MPa Rated Pressure	最高瞬间压力MPa Max Pressure	转速Speed			进油出口尺寸size		重量kg Weight
				额定Rated	最高Max	最低Min	进口Inlet	出口Outlet	
HGP-3A-F6	6	18	21	1800	3000	700	3/4" PT	1/2" PT	2.25
HGP-3A-F8	8.4								2.40
HGP-3A-F11	11								2.55
HGP-3A-F13	12								2.70
HGP-3A-F14	14.3								2.85
HGP-3A-F17	16								3.05
HGP-3A-F19	19.2								3.20
HGP-3A-F23	23								3.5
HGP-3A-F25	25	14	17.5	1800	3000	400	1" PT	3/4" PT	3.5
HGP-3A-F28	28								3.9
HGP-3A-F30	30								4.2

### 外形图

Outline Dimensions



# HGP-4A系列齿轮泵

HGP-4A Series Gear Pump



### 型号说明 Model Coding

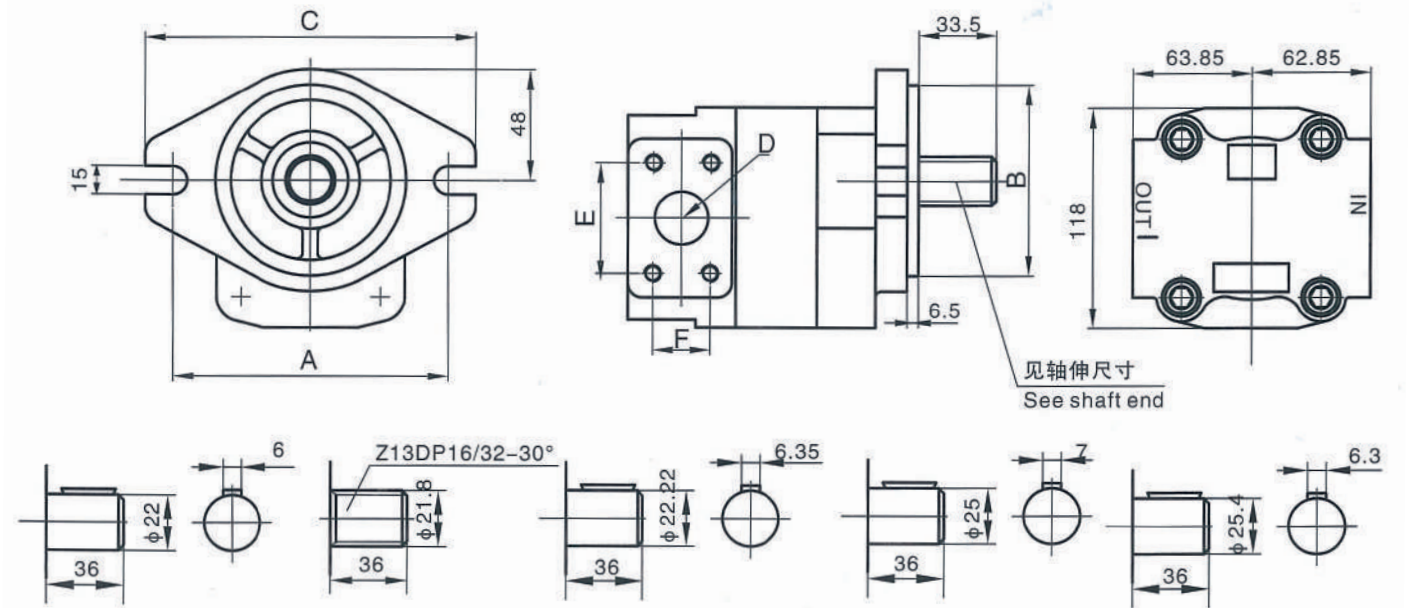
HGP - 4A - F 33 R

- ① 产品型号Model:4AF20R 4AF22R 4AF25R  
4AF28R 4AF33R 4AF65R 4AF40R 4AF45R  
4AF55R 4AF60R 4AF50R
- ② 尺码款式:4款式 Group
- ③ 固定方式 Mounting:F:法兰型 Flange L:脚座型 Foot
- ④ 吐出量:20 cc/rev 22cc/rev 25cc/rev 28cc/rev 33cc/rev  
35cc/rev 40cc/rev 45cc/rev 50cc/rev 55cc/rev 60cc/rev
- ⑤ 旋转方向 Rotation:  
R:顺时针方向Clockwise L:逆时针方向Counterclockwise

压力 Pressure bar(psi)	工作Work	175 (2500)
	最高Max	210 (3000)
转速 Speed rpm	额定Rate	1800
	最高Max	4000
	最低Min	700
kg (lbs)		6.88(15.1)

### 外形图

Outline Dimensions



Models	A	B	C	D	E	F
Outlet Dimensions	106.4	82.55 <sup>+0</sup> <sub>-0.05</sub>	128.6	25	26.2 <sup>±0.25</sup>	52.4 <sup>±0.25</sup>
Inlet Dimensions	146 <sup>±0.3</sup>	101.6 <sup>+0</sup> <sub>-0.05</sub>	174	31	30.2 <sup>±0.25</sup>	58.7 <sup>±0.3</sup>

性能参数

Performance parameter

Models	吐出量 cm <sup>3</sup> /rev	最高压力 Kg/cm <sup>2</sup>	转速		A (mm)	B (mm)	Weight kg(lbs)
			Loaded	Unloaded			
HGP-4AF20	20	210(3000)	600	3000	108.4	135.9	—
HGP-4AF20	22.5	210(3000)	600	3000	110.9	138	—
HGP-4AF20	25	210(3000)	600	3000	113.3	140.8	—
HGP-4AF20	28	210(3000)	600	3000	116.3	143.8	—
HGP-4AF20	31.5	210(3000)	600	3000	119.8	147.2	6.88(15.1)
HGP-4AF20	33	210(3000)	600	3000	127.75	150.5	—
HGP-4AF20	35.5	210(3000)	600	3000	123.7	151.2	—
HGP-4AF20	40	210(3000)	600	3000	128.2	155.6	—
HGP-4AF20	45	210(3000)	600	3000	133.1	160.6	—
HGP-4AF20	50	210(3000)	600	3000	138	165.5	—
HGP-4AF20	55	172(3000)	600	3000	143.4	170.9	—
HGP-4AF20	60	140(3000)	600	3000	148.4	175.9	—
HGP-4AF20	70	125(3000)	600	3000	157.4	184.9	—

GPY-F系列齿轮泵

GPY-F Series Gear Pump

GPY系列齿轮泵是液压系统中的动力元件。该泵采用高精度齿轮高强度铝合金壳体,使其具有结构简单、重量轻、效率高、噪声低、使用可靠等优点,广泛适用于汽车工程机械、起重机械、矿山机械及农业机械等液压系统中。与低压大流量叶片泵组成高低泵组合,合理利用能源,节约成本。

GPY series gear pump is the power component in the hydraulic system. The pump uses high-precision gears and high-strength aluminum alloy. The shell has the advantages of simple structure, light weight, high efficiency, low noise, reliable use, etc., and is widely used in automobiles. In hydraulic systems such as construction machinery, hoisting machinery, mining machinery and agricultural machinery. Composed with low pressure large flow vane pump. The combination of high and low pumps makes rational use of energy and saves costs.



GPY系列 Series	8	R
GPY系列定量齿轮泵 Gear Pump	参观规格表 Performance parameters table	R:轴端顺时针 Clockwise L:轴端逆时针 Counterclockwise

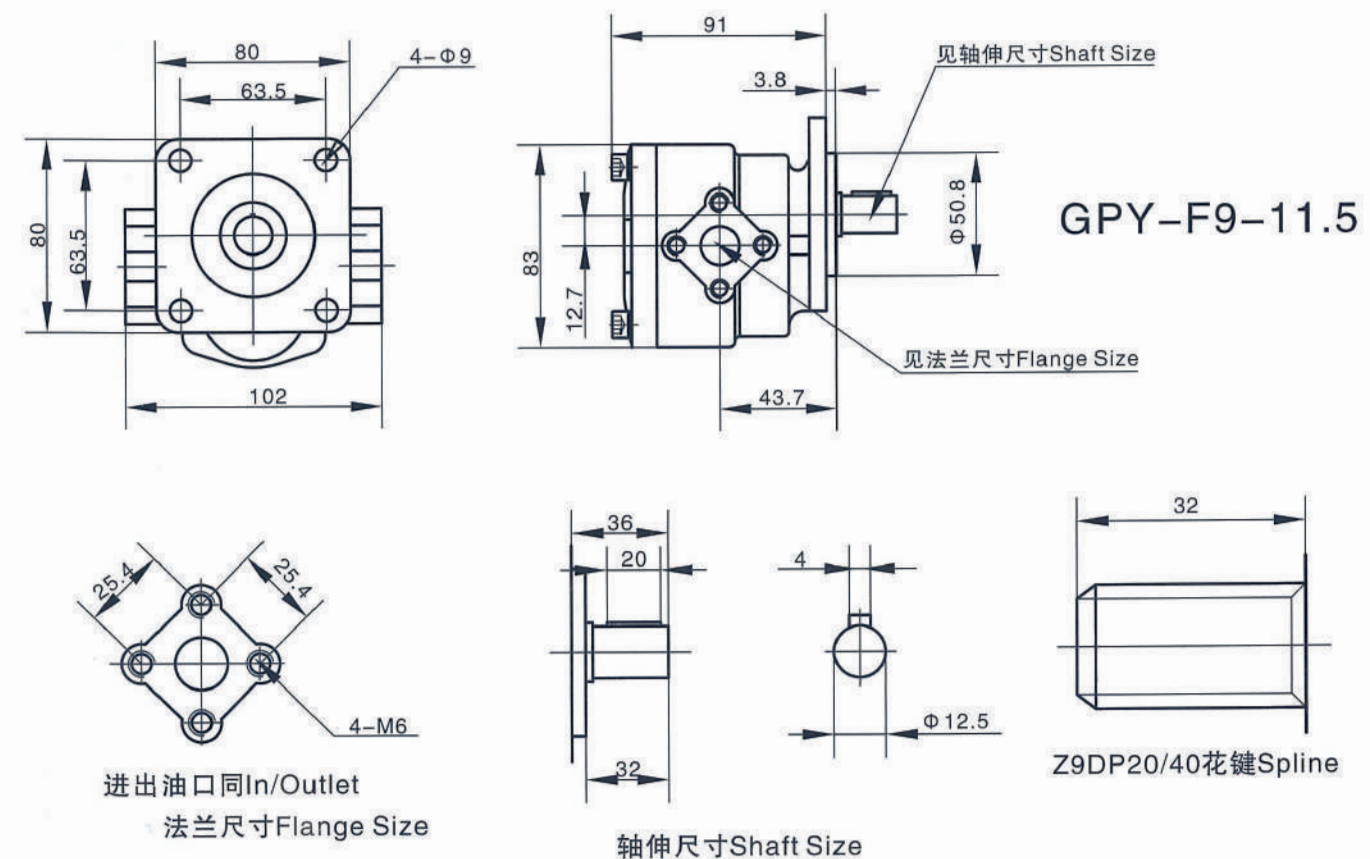
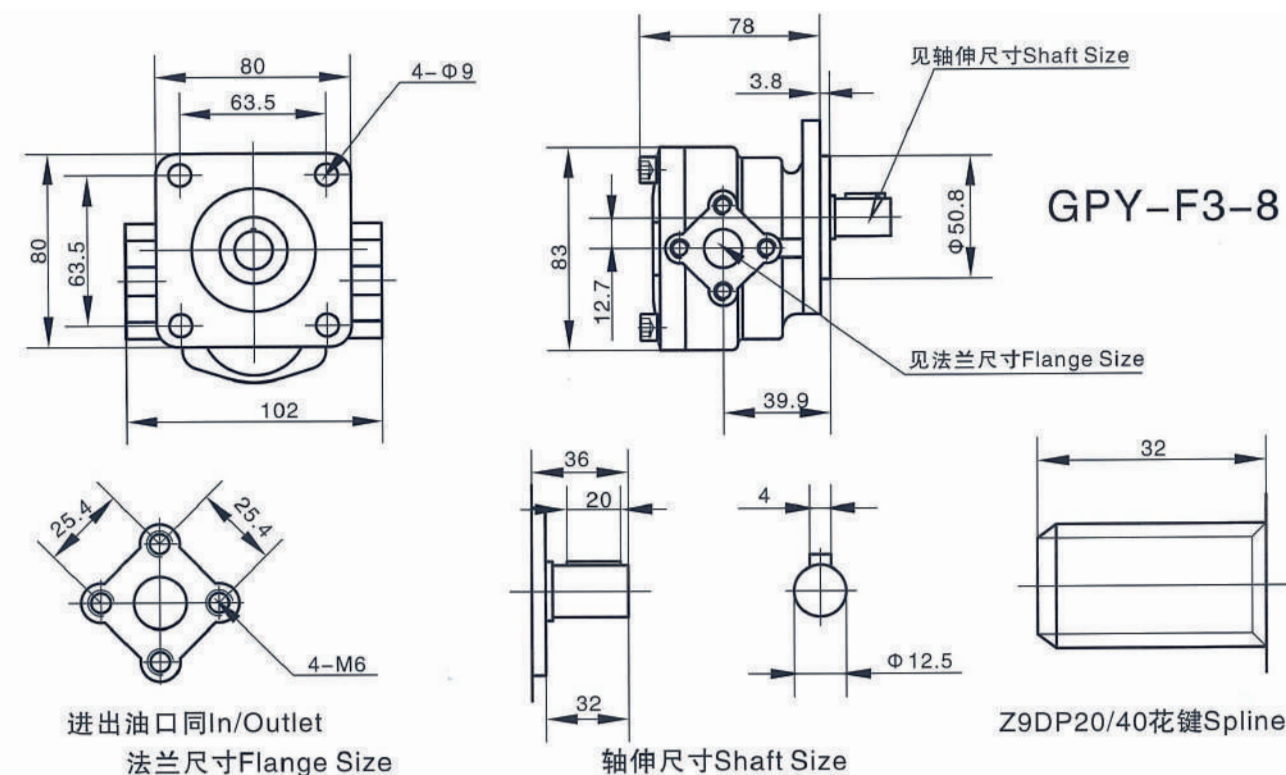
性能参数

Performance parameter

Models	Nominal displacement (mL/r)	Pressure(Mpa)		Rotation speed(r/min)			Weight
		Work	Max	Rated	Max	Min	
GPY-3	2.98	20.6	22.6	1800	3000	700	1.4
GPY-4	4.09						
GPY-5.8	5.77						
GPY-7	7.07						
GPY-8	8.01						
GPY-9	8.94						
GPY-10	10.06						
GPY-11.5	11.55			2500		1.8	

外形图

Outline Dimensions



# GBF-F400系列齿轮泵

GBF-F400 Series Gear Pump

CBF-F400系列齿轮油泵壳体采用高强度铝合金材料,内部结构使用了轴向间隙浮动补偿、径向平衡、DU自润滑等多项先进技术。它具有容积效率高、压力高、噪声低、抗振性强、寿命长等特点广泛应用于叉车、装载机、挖掘机、起重机、压路机等工程机械及矿山、轻工、环卫、农机等行业。

The CBF-F400 series gear oil pump housing is made of high-strength aluminum alloy material, and the internal structure uses axial gap floating compensation, radial balance, DU self-lubricating and many other advanced technologies. It has high volumetric efficiency, pressure High, low noise, strong vibration resistance, long life and other characteristics are widely used in forklifts, loaders, excavators, and cranes Construction machinery such as road rollers and mining, light industry, sanitation, agricultural machinery and other industries.



D

## 型号说明 Model Coding

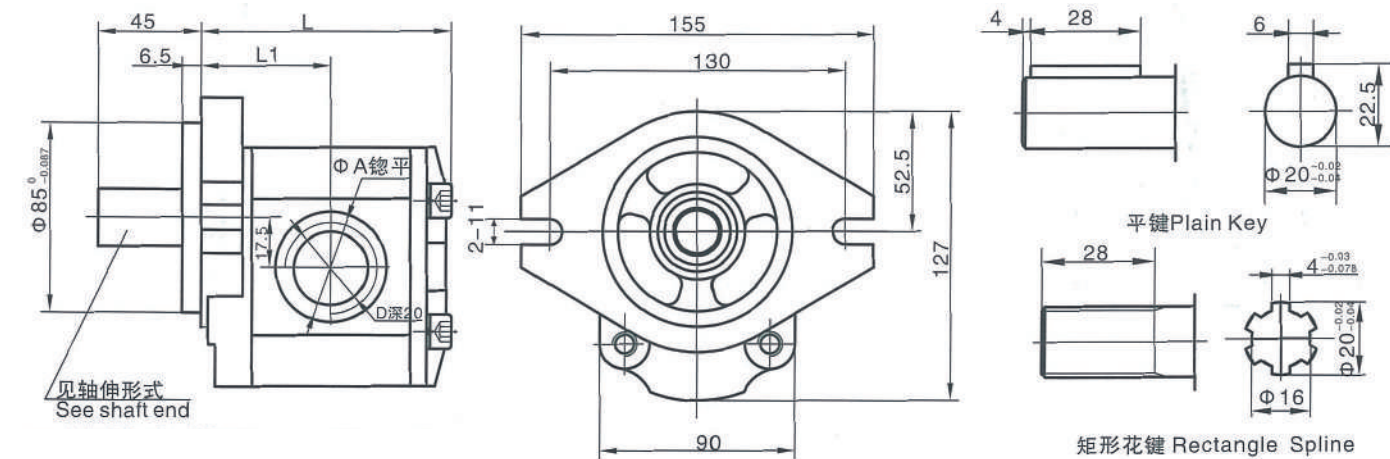
CBF - \*4\*\* - A L \* \*

① ② ③ ④ ⑤ ⑥

- ① 产品代号Product code
- ② 压力等级Pressure grade F:20MPa
- ③ 齿轮模数 Gear modulus 4
- ④ 公称排量Nominal displacement(mL/r)
- ⑤ 安装形式 Mounting A:菱形法兰Oval油口形式Joining port L:螺纹联接 Screw
- ⑥ 轴伸形式 Shaft end P:平键Plain key H:矩形花键Rectangle spline
- ⑦ 旋向Rotation L:左旋Left(逆时针Counterclockwise)
- ⑧ R:右旋 Right(顺时针Clockwiseisomitted )(省略)

## 外形图

Outline Dimensions



## 性能参数

Performance parameter

Models	排量 cc/rev Displacement	额定压力MPa Pressure		转速Speed (r/min)			Volumetric Efficiency (≥%)	L1	L	进油口 Outlet		出油口 Outlet		重量kg Weight
		Rated	Max	Min	Rated	Max				D	A	D	A	
CBF-F410-AL**	10	20	25	800			92	55	114	M22×1.5	50	M18×1.5	45	2.25
CBF-F412.5-AL**	12.5							56.3	116.5					
CBF-F414-AL**	14							57.3	118.5					
CBF-F416-AL**	16							58.3	120					
CBF-F418-AL**	18							59.5	123					
CBF-F420-AL**	20			60.5	125	2500	3000	93	63.8	131.5	M27×2	M22×1.5	45	2.85
CBF-F425-AL**	25			67.5	139									
CBF-F432-AL**	32			72	148									
CBF-F440-AL**	40			72	148									
CBF-F450-AL**	50			72	148									

# GBT-F400系列齿轮泵

GBT-F400 Series Gear Pump

CBT-F400系列齿轮油泵壳体采用高强度铝合金材料,内部结构使用了轴向间隙浮动补偿、径向平衡、DU自润滑等多项先进技术。它具有容积效率高、压力高、噪声低、抗振性强、寿命长等特点广泛应用于叉车、装载机、挖掘机、起重机、压路机等工程机械及矿山、轻工、环卫、农机等行业。

The CBT-F400 series gear oil pump housing is made of high-strength aluminum alloy material, and the internal structure uses axial gap floating compensation, radial balance, DU self-lubricating and many other advanced technologies. It has high volumetric efficiency, pressure High, low noise, strong vibration resistance, long life and other characteristics are widely used in forklifts, loaders, excavators, and cranes Construction machinery such as road rollers and mining, light industry, sanitation, agricultural machinery and other industries.



D

## 型号说明 Model Coding

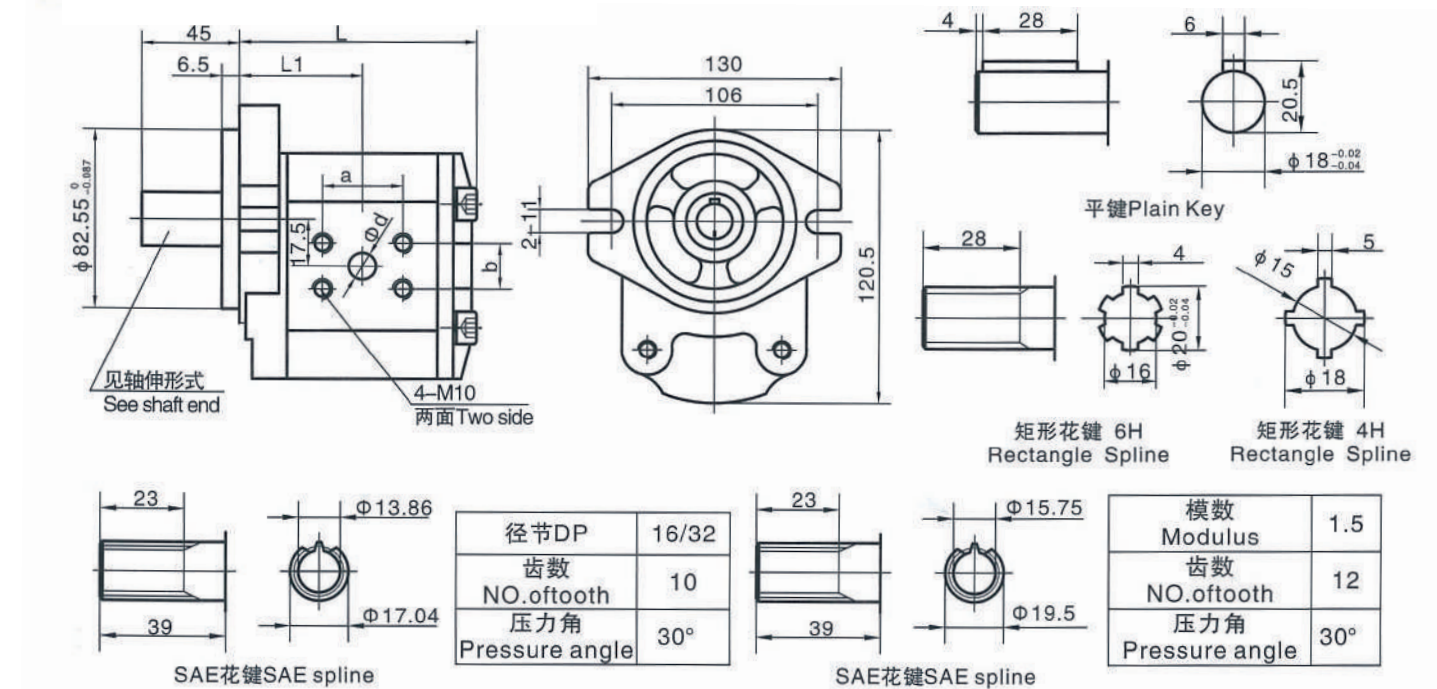
CBT - F 4 \* - A \* \* \*

① ② ③ ④ ⑤ ⑥ ⑦ ⑧

- ① 产品代号Product code
- ② 压力等级Pressure grade F:20MPa
- ③ 齿轮模数 Gear modulus 4
- ④ 公称排量Nominal displacement(mL/r)
- ⑤ 安装形式 Mounting A:菱形法兰Oval
- ⑥ 油口形式Joining port L:螺纹联接 Screw
- ⑦ 轴伸形式 Shaft end P:平键Plain key φ:SAE花键SAE spline H:矩形花键Rectangle spline
- ⑧ 旋向Rotation L:左旋Left(逆时针Counterclockwise)
- ⑨ R:右旋 Right(顺时针Clockwiseisomitted )(省略)

## 外形图

Outline Dimensions



## 性能参数

Performance parameter

Models	排量 cc/rev Displacement	额定压力MPa Pressure		转速Speed (r/min)			Volumetric Efficiency (≥%)	L1	L	螺纹连接Screw		法兰连接Flange				重量kg Weight			
		Rated	Max	Min	Rated	Max				D		进油口Inlet		出油口Outlet					
										进油口 Inlet	出油口 Outlet	d	a	b	d		a	b	
CBT-F410-A**	10	20	25	800			92	57	116	M22×1.5	M18×1.5	23	47.6	22.2	20	47.6	22.2	3.1	
CBT-F412.5-A**	12.5							58.5	118										
CBT-F416-A**	16							60.3	122										
CBT-F420-A**	20							62.5	127										
CBT-F425-A**	25							65.8	133										
CBT-F432-A**	32			69.5	141	2500	3000	93	67.5	139	M33×2	M27×2	26	52.4	26.2				3.2
CBT-F414-A**	14			63.8	131.5														
CBT-F418-A**	18			67.5	139														
CBT-F440-A**	40			72	148														
CBT-F450-A**	50			72	148														

# GBHC-F系列齿轮泵

GBHC-F Series Gear Pump

CBHC 系列低噪音齿轮油泵, 在设计上采用了非对称齿形的双模数齿轮双联泵结构及轴向间隙自动补偿的浮动侧板结构, 使该产品具有噪音低、体积小、容积效率高、使用寿命长、可靠性高等特点, 进而提高整机的性能指标。该泵用于电动搬运设备及对噪音有较高要求的场合。

CBHC series low-noise gear oil pumps are designed with asymmetrical toothed double-module gears. The double pump structure and the floating side plate structure with automatic axial clearance compensation make the product low noise and compact. It has the characteristics of small size, high volumetric efficiency, long service life and high reliability, thereby improving the performance index of the whole machine. Should the pump is used in electric handling equipment and in situations with high noise requirements.



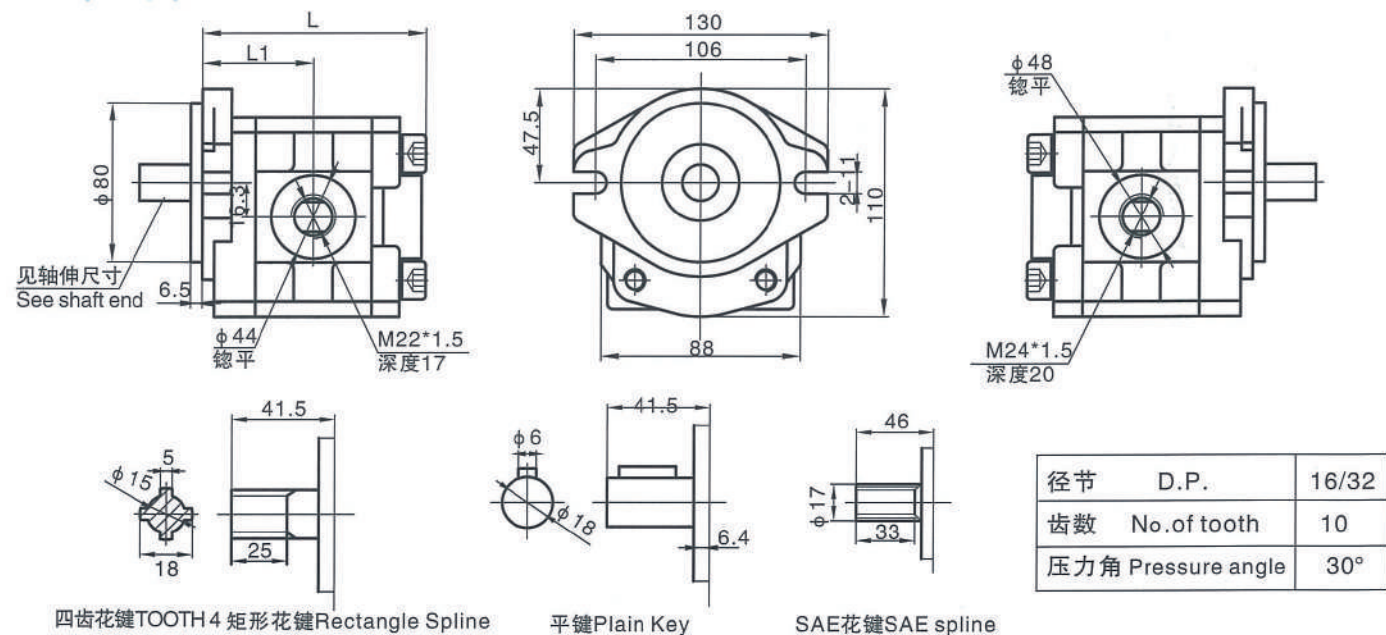
## D 型号说明 Model Coding

CBHC - F \*\* - A L \* \*

① ② ③ ④ ⑤ ⑥ ⑦

- ① 产品代号Product code
- ② 压力等级Pressure grade F:20MPa
- ③ 公称排量Nominal displacement(mL/r)
- ④ 安装形式 Mounting A:菱形法兰Oval
- ⑤ 油口形式Joining port L:螺纹联接 Screw
- ⑥ 轴伸形式 Shaft end P:平键Plain key φ:SAE花键SAE spline H:矩形花键Rectangle spline
- ⑦ 旋向Rotation L:左旋Left(逆时针Counterclockwise) R:右旋 Right(顺时针Clockwiseisomitted )(省略)

## 外形图 Outline Dimensions



## 性能参数 Performance parameter

Models	排量 cc/rev Displacement	额定压力MPa Pressure		转速Speed (r/min)			Volumetric Efficiency (≥%)	L1	L	重量kg Weight
		Rated	Max	Min	Rated	Max				
CBHC-F11-AL**	10	20	25	500	2000	3000	90	57	123	3.5
CBHC-F12-AL**	12							57.5	124	3.6
CBHC-F14.5-AL**	14.5							59.5	128	3.7
CBHC-F16-AL**	16							60.5	130	3.8
CBHC-F18-AL**	18							62	133	3.9
CBHC-F20-AL**	20							63.5	136	4.0

# GBHZ-F系列齿轮泵

GBHZ-F Series Gear Pump



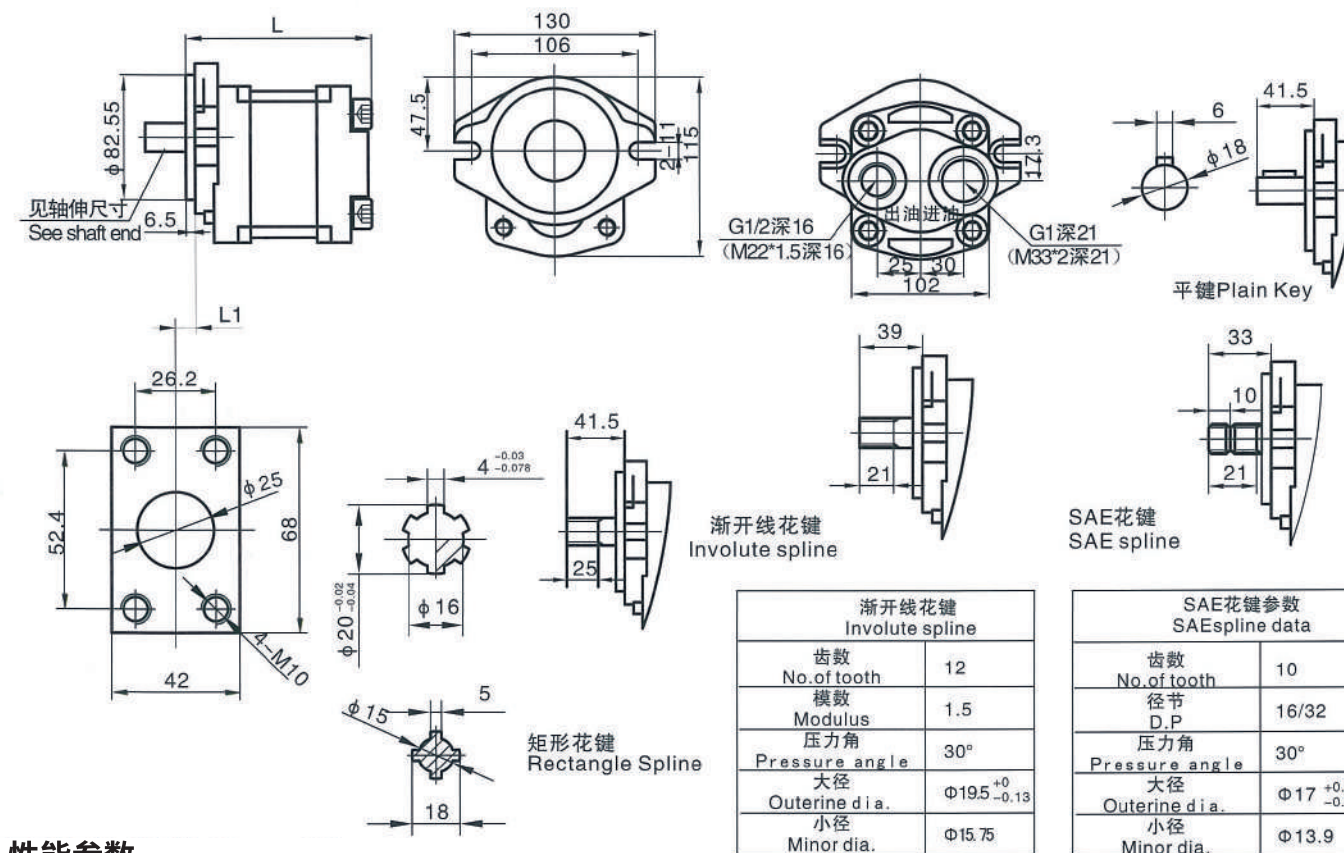
- ① 产品代号Product code
- ② 压力等级Pressure grade F:20MPa
- ③ 公称排量Nominal displacement(mL/r)
- ④ 安装形式 Mounting A:菱形法兰Oval
- ⑤ 油口形式Joining port L:螺纹连接Screw T:特殊连接 Special
- ⑥ 轴伸形式 Shaft end P:平键Plain key φ:SAE花键SAE spline H:矩形花键Rectangle spline X:渐开线花键Involute spline

CBHZB  
CBHZ - F \*\* - A L \* \*

① ② ③ ④ ⑤ ⑥ ⑦

- ⑦ 旋向Rotation L:左旋Left(逆时针Counterclockwise) R:右旋 Right(顺时针Clockwiseisomitted )(省略)

## 外形图 Outline Dimensions



## 性能参数 Performance parameter

Models	排量 cc/rev Displacement	额定压力MPa Pressure		转速Speed (r/min)			Volumetric Efficiency (≥%)	L1	L	重量kg Weight
		Rated	Max	Min	Rated	Max				
CBHZ-F23-AL**	23	20	25	600	2500	3000	92	60	115.5	4.1
CBHZ-F25-AL**	25							61.5	118.5	4.3
CBHZ-F28.2-AL**	28.2							63.5	122.5	4.6
CBHZ-F30-AL**	30							64.5	124.5	4.8
CBHZ-F32-AL**	32							65.5	126.5	5.0
CBHZ-F36-AL**	36							68	131.5	5.4

# GBHZA-F系列齿轮泵

GBHZA-F Series Gear Pump

CBHZA-F系列低噪音齿轮油泵,在设计上采用了非对称齿形的双模数齿轮双联泵结构及轴向间隙自动补偿的浮动侧板结构,使该产品具有噪音低、体积小容积效率高、使用寿命长、可靠性高等特点,进而提高整机的性能指标。  
该泵使用于电动搬运设备及对噪音有较高要求的场合。

CBHZA-F series low-noise gear oil pump adopts asymmetric tooth shape double module gear in design. The double pump structure and the floating side plate structure with automatic axial clearance compensation make the product low noise and small in size. It has the characteristics of high volumetric efficiency, long service life and high reliability, thereby improving the performance index of the whole machine. The pump makes Used for electric handling equipment and occasions with high noise requirements.



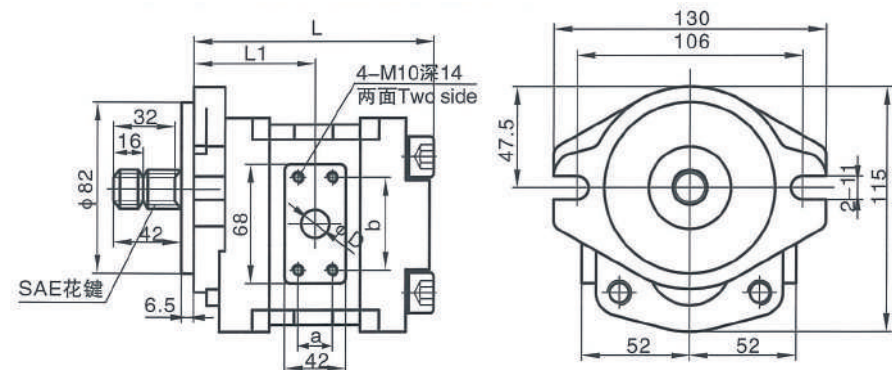
## 型号说明 Model Coding

**CBHZA - F \*\* - A F φ \***

- ① 产品代号 Product code
- ② 压力等级 Pressure grade F: 20MPa
- ③ 公称排量 Nominal displacement (mL/r)
- ④ 安装形式 Mounting A: 菱形法兰 Oval
- ⑤ 油口形式 Joining port L: 法兰联接 Screw
- ⑥ 轴伸形式 Shaft end φ: SAE花键 SAE spline
- ⑦ 旋向 Rotation L: 左旋 Left (逆时针 Counterclockwise) R: 右旋 Right (顺时针 Clockwise) (省略)

## 外形图

Outline Dimensions



SAE花键参数 SAE spline data		
1	径节 D.P	16/32
2	齿数 No. of tooth	13
3	压力角 Pressure angle	30°
4	大径 Outer dia	φ21.81 <sub>0.027</sub>
5	小径 Outer dia	φ18.63 <sub>0.020</sub>

## 性能参数

Performance parameter

Models	排量 cc/rev Displacement	额定压力 MPa Pressure		转速 Speed (r/min)			Volumetric Efficiency (≥%)	L1	L	进油口 Outlet			出油口 Outlet			重量 kg Weight	
		Rated	Max	Min	Rated	Max				D	a	b	D	a	b		
CBHZA-F23-AFφ*	23	20	25	600	2500	3000	92	60	117	25	26.2	52.4	20	22.2	47.6	4.4	
CBHZA-F23-AFφ*	25							61.5	120								4.7
CBHZA-F28.2-AFφ*	28.2							63.5	124								4.9
CBHZA-F30-AFφ*	30							64.5	126								5.1
CBHZA-F32-AFφ*	32							65.5	128								5.3
CBHZA-F36-AFφ*	36							68	133								5.7
CBHZA-F40-AFφ*	40							0.5	138								28

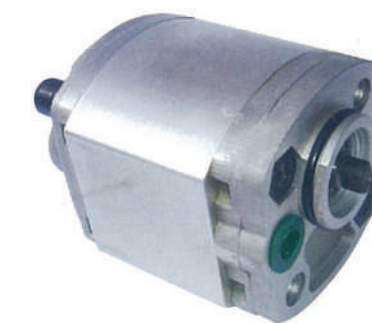
# RGP-F100系列齿轮泵

RGP-F100 Series Gear Pump

## 型号说明 Model Coding

**RGP - F1 \*\* - R \* \* \***

- ① 齿轮泵 Gear Pump
- ② 系列号 Series Code
- ③ 排量 (见规格表)  
Displacement (See the specification sheet)
- ④ 转向 Rotation R: 右旋 (顺时针转) Right (Clockwise) L: 左旋 (逆时针转) Left (Counterclockwise)
- ⑤ 出油口位置 Outlet Position 省略: 侧面 Omit: The Side A: 前盖 A: Front Cover
- ⑥ 进油口位置 Inlet Position 省略: 侧面 Omit: The Side S: 后盖 S: Rear Cover
- ⑦ 轴型式 Shaft End 省略: 扁键轴伸 Omit: Plain Key



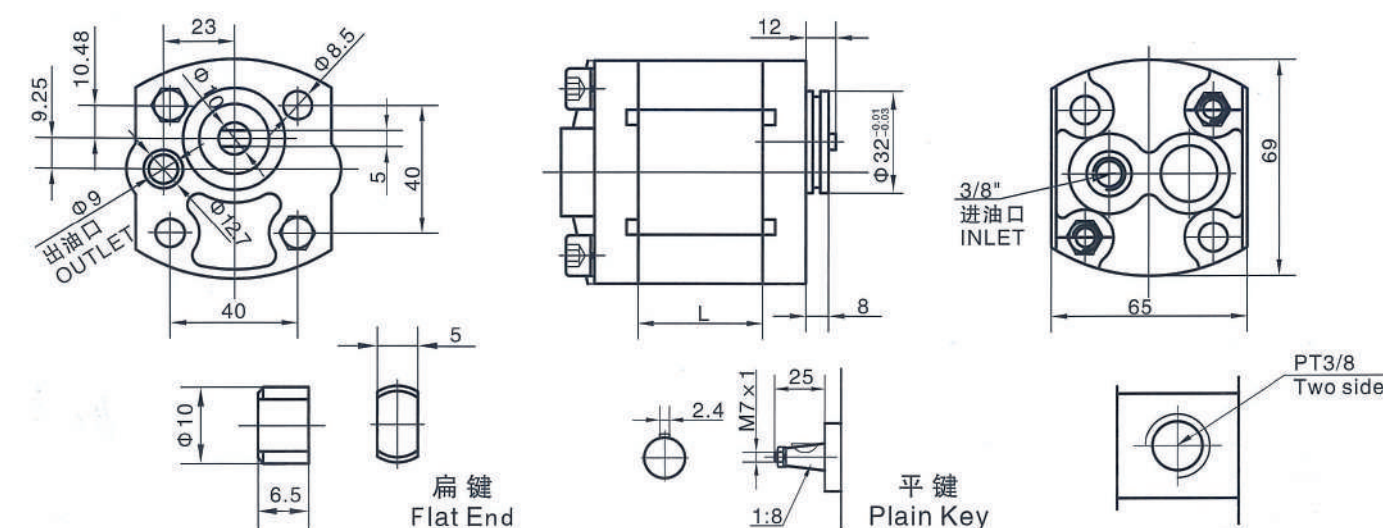
## 性能参数

Performance parameter

Models	Nominal displacement (mL/r)	Pressure (Mpa)		Rotation speed (r/min)		Volumetric Efficiency (≥%)	Input Power (kw)
		Rated	Max	Rated	Max		
RGP-F106	0.6	20 (2800 psi)	25 (3500 psi)	6000	600	0.47	0.75
RGP-F111	1.1					0.86	0.77
RGP-F113	1.3					1.02	0.79
RGP-F116	1.6					1.25	0.80
RGP-F118	1.8					1.45	0.81
RGP-F121	2.1					1.65	0.82
RGP-F127	2.7			2.12	0.85		
RGP-F132	3.2			5000	2.51	0.87	
RGP-F137	3.7			4500	2.90	0.90	
RGP-F142	4.2			4000	3.29	0.92	
RGP-F148	4.8	16 (2200 psi)	20 (2800 psi)	3500	3.76	0.95	
RGP-F158	5.8			2900	4.55	1.00	
RGP-F180	8.0			2100	6.27	1.10	

## 外形图

Outline Dimensions



# RGP-F200系列齿轮泵

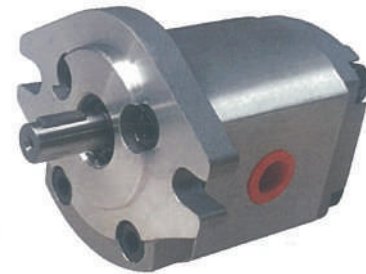
RGP-F200 Series Gear Pump

## 型号说明 Model Coding

**RGP** - **F2** **\*\*** - **R** **\*\*** **\*** **\***

① ② ③ ④ ⑤ ⑥ ⑦

- ① 齿轮泵 Gear Pump
- ② 系列号 Series Code
- ③ 排量 Displacement
- ④ 旋向 Rotation R:右旋 Ringht (顺时针 Clockwise)L:左旋Left(逆时针Counterclockwise)
- ⑤ 轴型式Shaft 省略Omit:Φ12.7方键Square 12:Φ12方键Square(不可省略)
- ⑥ 接面法兰Flange省略Omit:2螺纹固定Screws S:螺纹固定Screws
- ⑦ 出入口Inlet/Outlet省略Omit:管式Tubular F:法兰式Flange



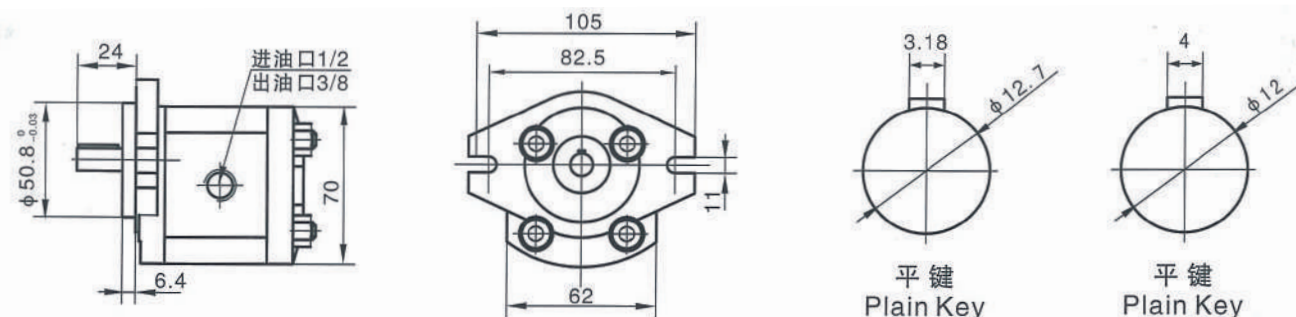
## 性能参数

Performance parameter

Models	Nominal displacement (mL/r)	Pressure(Mpa)		Rotation speed(r/min)		Volumetric Efficiency (≥%)	Input Powel (kw)
		Rated	Max	Max	Min		
RGP-F106	1.3	20 (2800 psi)	25 (3500 psi)	3500	600	1.02	0.92
RGP-F111	2.0					1.25	1.05
RGP-F113	2.7					2.12	1.22
RGP-F116	3.4					2.17	1.36
RGP-F118	4.1					3.25	1.52
RGP-F121	5.1					4.15	1.72
RGP-F127	6.1					4.72	1.90
RGP-F132	8.0					6.30	2.20

## 外形图

Outline Dimensions



Models	A(mm)	B(mm)	C(mm)	D(mm)	入油口Inlet	出油口Outlet
RGP-F201	82	42	99	59	1/2"	3/8"
RGP-F202	84	43	101	60		
RGP-F202.5	86	44	103	61		
RGP-F203	88	45	105	62		
RGP-F204	90	46	107	63		
RGP-F205	93	47.5	110	64.5		
RGP-F206	96	49	113	66		
RGP-F208	102	52	120	70		

# RGP-F300系列齿轮泵

RGP-F300 Series Gear Pump

RGP-F300系列齿轮泵采用高强度铝合金材料、轴向间隙补偿、径向平衡、DU套自润滑等多项技术,它具有容积效率高、压力高、噪音低、抗振性强、寿命长等特点,广泛应用于汽车设备、搬运设备、轻工自动化设备等微型动力单元液压系统中。

CBHZA-F series gear pump adopts high-strength aluminum alloy material, axial clearance compensation, radial balance, DU sets are self-lubricating and many other technologies. It has high volumetric efficiency, high pressure, low noise, strong vibration resistance and long service life. Long and other characteristics, it is widely used in micro power units such as automotive equipment, handling equipment, light industrial automation equipment, etc. in the hydraulic system.



## 型号说明 Model Coding

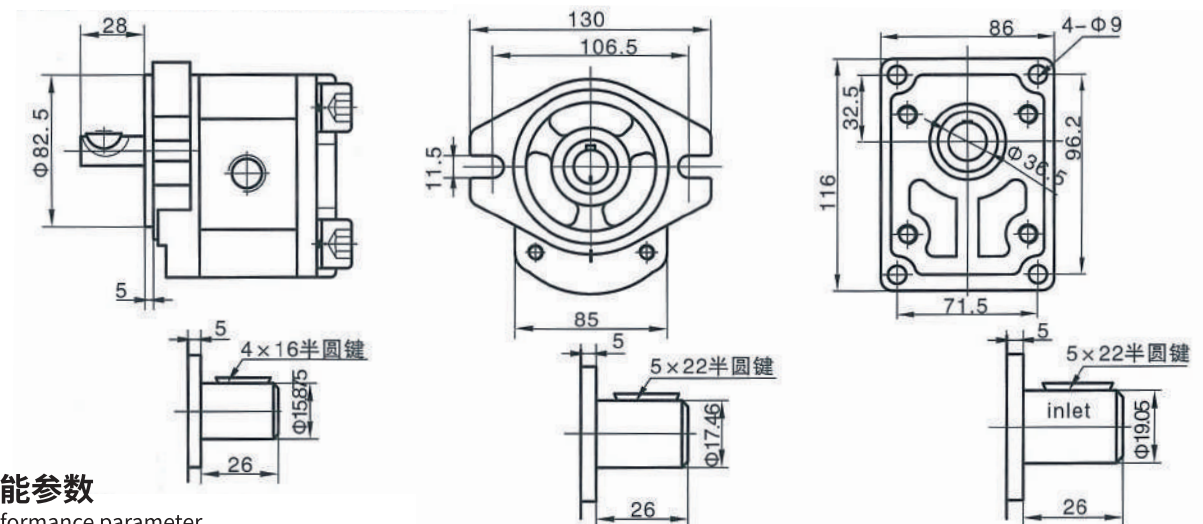
**RGP** - **F3** **\*\*** - **R** **\*\*** **\*** **\*** **\***

① ② ③ ④ ⑤ ⑥ ⑦ ⑧

- ① 齿轮泵 Gear Pump
- ② 系列号 Series Code
- ③ 3排量(见规格表)Displacement(See the specification sheet)
- ④ 转向 Rotation R:右旋(顺时针转)Right(Clockwise is omitted)L:左旋(逆时针转)Left(Counterclockwise)
- ⑤ 轴形式 Shaft end 省略 Omit: 15.88方键 Square key 17.46方键 Square key 19.05方键 Square key
- ⑥ 接面法兰 Flange 省略 Omit: 2孔固定 Screws S: 4孔固定 Screws
- ⑦ 出入口 In/Outlet Oil 省略 Omit: 管式 F: 法兰式 Flange
- ⑧ 前后盖 Front and rear cover 省略 Omit: 铝 Aluminum C: 铸铁 Cast iron

## 外形图

Outline Dimensions



## 性能参数

Performance parameter

Models	Nominal displacement (mL/r)	Pressure(Mpa)		Rotation speed(r/min)		Input Powel (kw)	进油口 Inlet	出油口 Outlet
		Rated	Max	Max	Min			
RGP-F304	4	20 (2800 psi)	25 (3500 psi)	3500	600	3.2	PT1/2	PT1/2
RGP-F306	6					4.7		
RGP-F308	8					6.3		
RGP-F310	10					7.8		
RGP-F312	12					9.4		
RGP-F314	14					11.0	PT3/4	PT1/2
RGP-F316	16					12.5		
RGP-F318	18					14.1		
RGP-F320	20					15.7		
RGP-F323	23					18.0		
RGP-F325	25	16 (2200 psi)	20 (2800 psi)			19.6		
RGP-F328	28					22.0		
RGP-F330	30					23.5		

# RGP-F400系列齿轮泵

RGP-F400 Series Gear Pump

型号说明 Model Coding

**RGP** - **F4** **\*\*** - **R** **\*\* \* \***

① ② ③ ④ ⑤ ⑥ ⑦



- ① 齿轮泵 Gear Pump
- ② 系列代号 Series Code
- ③ 排量 Displacement(见规格表 See the specification sheet)
- ④ 旋向 Rotation R:右旋 Right(顺时针Clockwise)L:左旋 Left(逆时针 Counterclockwise)
- ⑤ 轴型式 Shaft 省略Omit:Φ19.05方键 Square
- ⑥ 出入口油口 Inlet/Outlet 省略Omit:管式 Tubular F:法兰式 Flange
- ⑦ 前后盖 Front and rear cover 省略Omit:铝 Aluminum C:铸铁 Cast iron

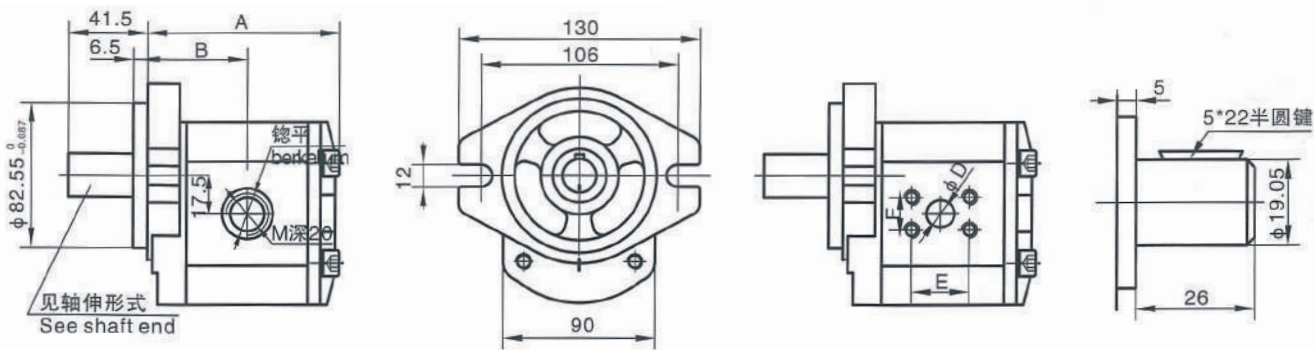
## 性能参数

Performance parameter

Models	Nominal displacement (mL/r)	Pressure(Mpa)		Rotation speed(r/min)		Volumetric Efficiency (≥%)	Input Power (kw)
		Rated	Max	Max	Min		
RGP-F410	10	20 (2800 psi)	25 (3500 psi)	3500	500	8.2	3.3
RGP-F416	16					13.1	3.5
RGP-F425	25					20.4	3.8
RGP-F427	27					21.3	3.9
RGP-F430	30					24.1	4.0
RGP-F432	32					26.1	4.1
RGP-F440	40					32.7	4.3

## 外形图

Outline Dimensions



Models	A	B	牙口 M		法兰入口口 Flange Inlet			法兰出口口 Flange Outlet		
			进油口 Inlet	出油口 Outlet	D	E	F	D	E	F
RGP-F410	108	53.5	3/4"	1/2"	23	47.6	22.2	20	47.6	22.2
RGP-F416	114	56.5								
RGP-F425	124	62								
RGP-F427	126	62.5	1"	3/4"	26	52.4	26.2	20	47.6	22.2
RGP-F430	131	65								
RGP-F432	133	65								
RGP-F440	142	70								

# RGP-2A-F系列齿轮泵

RGP-2A-F Series Gear Pump

型号说明 Model Coding

**RGP** - **2A** - **F\*\*** - **R**

① ② ③ ④



- ① 齿轮泵代号 Gear Pump Code
- ② 结构代号 Structure Code
- ③ 排量(见规格表) Displacement(See the specification sheet)
- ④ 转向 Rotation  
R:右旋(顺时针转) Right(Clockwise omitted)  
L:左旋(逆时针转) Left(Counterclockwise)

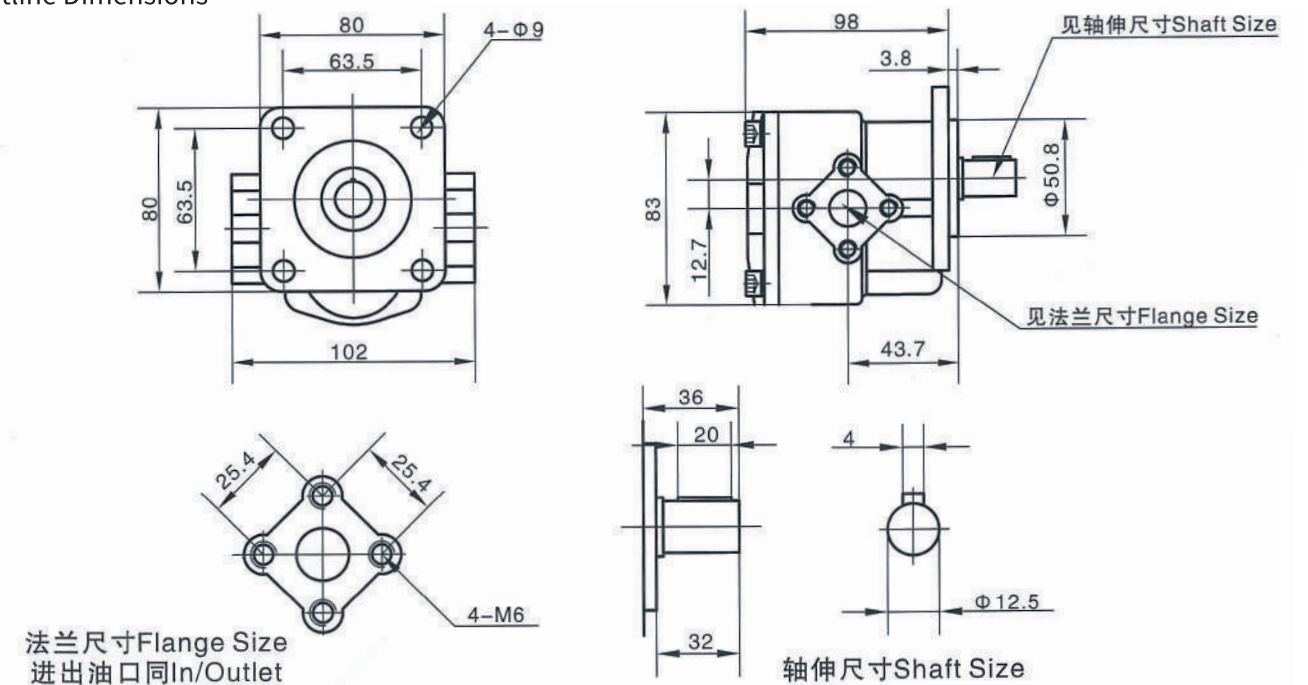
## 性能参数

Performance parameter

Models	Nominal displacement (mL/r)	Pressure(Mpa)		Rotation speed(r/min)		Volumetric Efficiency (≥%)		
		Rated	Max	Max	Min			
RGP-2A-F02	2	21 (3000 psi)	25 (3500 psi)	5000	850	1.55		
RGP-2A-F03	3					1.56		
RGP-2A-F04	4					1.58		
RGP-2A-F05	5					1.60		
RGP-2A-F06	6			1.60				
RGP-2A-F08	8			1.65				
RGP-2A-F09	9			17.5 (2500 psi)	21 (3000 psi)	2000	500	1.65
RGP-2A-F11	11							1.70
RGP-2A-F12	12	1.70						

## 外形图

Outline Dimensions



# CBK-F100系列齿轮泵

CBK-F100 Series Gear Pump

CBK齿轮泵系高压小排量齿轮油泵,由一对高强度齿轮、轴套、泵体、前盖、后盖等主要部件组成,轴向间隙由高精度浮动轴套自动补偿,使得CBK齿轮泵具有高的机械效率和容积效率,该泵噪音低、重量功率比小,广泛应用各种交流和直流液压动力单元和中小型液压系统。

用户订货时应注意, CBK齿轮泵有顺时针、逆时针两种转向及后盖进/前盖出、体进/后盖出、后盖进/泵体出、泵体进/泵体出、后盖进/后盖出五种进出油方式。

CBK gear pump is a high-pressure, small-displacement gear oil pump. It consists of a pair of high-strength gears, axle sleeves, pump body, front cover, back cover and other main components. The axial clearance is automatically compensated by high-precision floating sleeves, making the CBK gear pump With high mechanical efficiency and volumetric efficiency, the pump has low noise and a small weight-to-power ratio. It is widely used in various AC and DC hydraulic power units and small and medium-sized hydraulic systems. Users should note when ordering that CBK gear pumps have clockwise and counterclockwise directions and back cover in/front cover out, body in/back cover out, back cover in/pump body out, pump body in/pump body out, There are five ways of oil in and out: in/out of the rear cover.



D

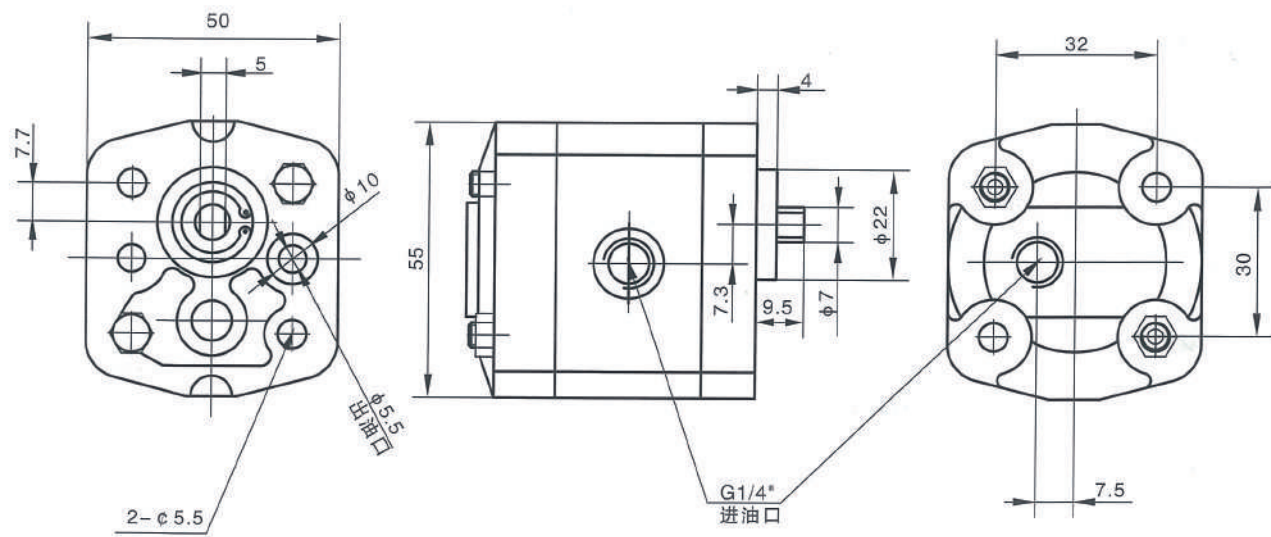
## 型号说明 Model Coding



额定压力 Rated pressure: 20MPa

- ① 排量 Displacement: 0.63~8mL/r
- ② 进出油位置 Inlet /outlet Position: D 后盖进/后盖出 Rearin/rear out
- ③ C泵体进/泵体出 Sidein/sideout B后盖进/泵体出 Rearin/side out  
A泵体进/后盖出 Sidein/rearout 空白 后盖进/前盖出 Rearin/frong out
- ④ 旋向 Rotation: R:右旋 Ringht(顺时针 Clockwise)L:左旋 Left(逆时针 Counterclockwise)
- ⑤ 轴端形式 Shaft optional: 扁势 Tang 花键 Spline

## 外形图 Dimensions



说明:

- 1、排量有0.2, 0.4, 0.5, 0.63
- 2、进出油口有如下几种: A型: 后进前出 B型: 侧进前出 C型: 侧进侧出
- 3、旋向为右旋

Description:

- 1. The displacement is 0.2, 0.4, 0.5, 0.63
- 2. The oil inlet and outlet are as follows: Type A: back in and front out Type B: side in and front out Type C: side in and side out
- 3. The rotation direction is right

# CBK-F1000系列齿轮泵

CBK-F1000 Series Gear Pump

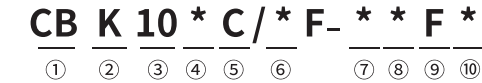
CBK-F1000系列高压齿轮泵,是液压系统中的液压动力元件。它采用了承载能力高的DU轴承、高强度铝合金壳体结构,具有压力高、转速范围宽、排量规格多、体积小、重量轻、工作可靠、维修方便等特点。广泛应用于各种工程机械作主泵,辅泵等。

CBK-1000 series high-pressure gear pump is a hydraulic power component in the hydraulic system. It adopts DU bearings with high load-bearing capacity and high-strength aluminum alloy shell structure. It has the characteristics of high pressure, wide speed range, multiple displacement specifications, small size, light weight, reliable operation, and easy maintenance. Widely used in various engineering machinery as main pumps, auxiliary pumps, etc.



D

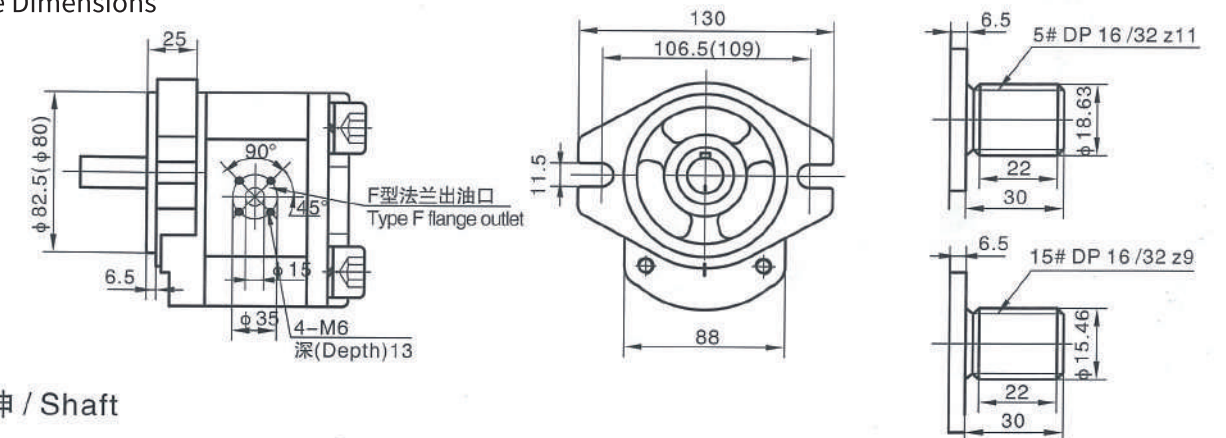
## 型号说明 Model Coding



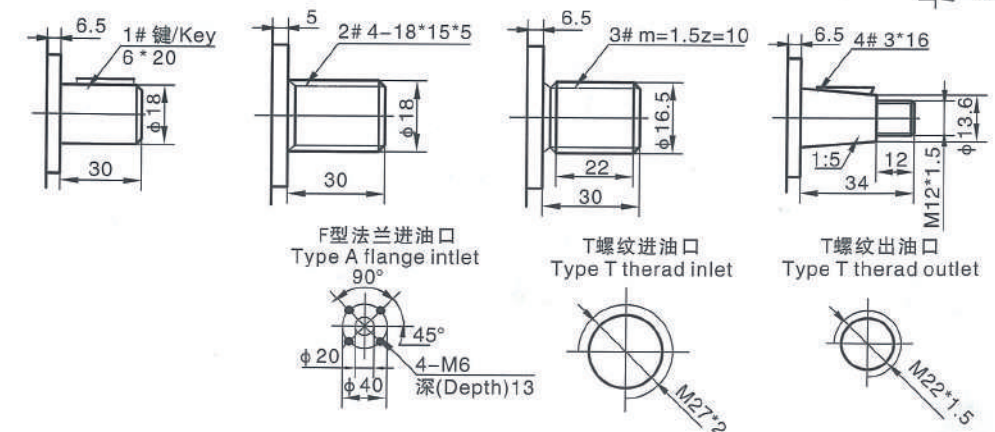
- ① 齿轮泵 Gear Pump
- ② 结构形式 Structure form
- ③ 组别 Group
- ④ 单泵(或前泵)排量(mL/r) Single pump or Fore pump displacement
- ⑤ 前泵或后泵压力级别 Fore pump or Hind pump pressure level C=10MPa, E=16MPa, F=20MPa, G=25MPa
- ⑥ 后泵排量(单泵无) Hindpump displacement 4, 6, 8, 10, 12, 16, 20, 25, 32 (mL/r)
- ⑦ 安装法兰形式 Mounting A- SAE "A"型法兰 Flange 止口中82.5 B-公制标准法兰 Flange 止口中80
- ⑧ 轴伸形式 Shaft End 1-平键 Plain key(两联泵以上无) 2-矩形花键 Rectanglespline 3-渐开线花键 Involute spline
- ⑨ F:进出口为法兰连接 In/Outlet flange T:进出口为螺纹连接 In/Outletscrew
- ⑩ 转向(从轴端看) Rotation L-逆时针 Counterclockwise R-顺时针 Clockwise

## 外形图

Outline Dimensions



## 轴伸 / Shaft



性能参数

Performance parameter

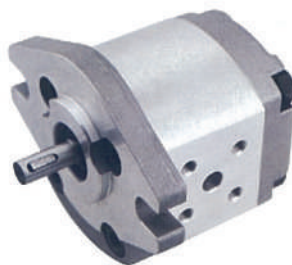
Models	排量 cc/rev Displacement	额定压力MPa Pressure		转速Speed (r/min)			中作油液 mm <sup>2</sup> /s In the oil	工作油温(°C) Working oil temperature	工作油液 过滤精度(μm) Oil filter precision work	Volumetric Efficiency (≥%)	重量kg Weight
		Rated	Max	Rated	Max	Min					
CBF-F410-AL**	4.25	25	28	3500	4000	1400	20~43 液压油 Hydraulic oil	-20~80	≤25	≥90	2.25
CBF-F412.5-AL**	6.4		28	3500	4000	1400					2.40
CBF-F414-AL**	8.1		28	3500	4000	1400					2.55
CBF-F416-AL**	10		28	3000	3500	1200					2.70
CBF-F418-AL**	12.6		28	3000	3500	1200					2.85
CBF-F420-AL**	15.9	20	28	2000	3000	1000					3.05
CBF-F425-AL**	19.9		25	2000	3000	1000					3.20
CBF-F432-AL**	25		16	20	2000	2500					800

CBW-F200系列齿轮泵

CBW-F200 Series Gear Pump

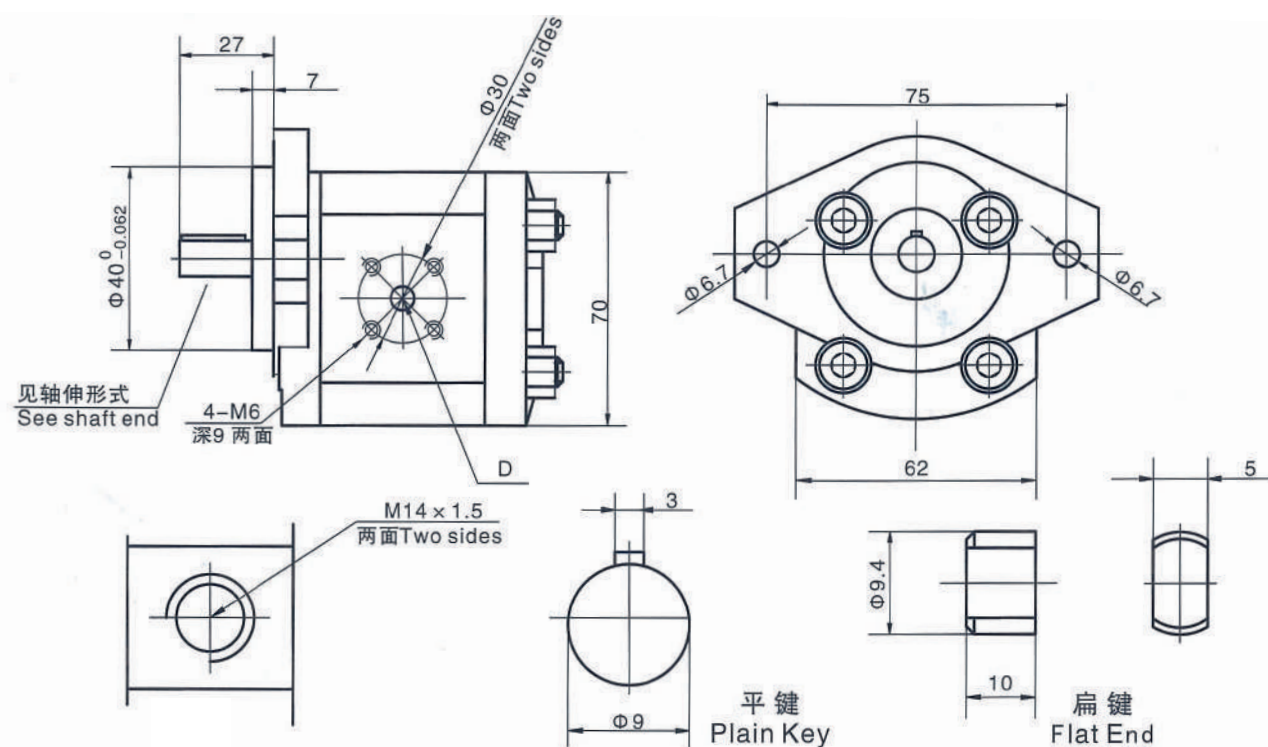
CBW-F2系列齿轮油泵壳体采用高强度铝合金材料、内部结构使用了轴向间隙浮动补偿、径向平衡、DU自润滑等多项先进技术。它具有容积效率高、压力高、噪音低、抗振性强、寿命长等优点。广泛应用于叉车、装载机、挖掘机、起重机、压路机等工程机械及矿山、轻工、环卫、农机等行业。

CBK-1000 series gear oil pump housing is made of high-strength aluminum alloy material, and the internal structure uses many advanced technologies such as axial clearance floating compensation, radial balance, and DU self-lubrication. It has the advantages of high volumetric efficiency, high pressure, low noise, strong vibration resistance, and long life. Widely used in forklifts, loaders, excavators, cranes, road rollers and other engineering machinery as well as mining, light industry, sanitation, agricultural machinery and other industries.



外形图

Outline Dimensions



型号说明 Model Coding

CBW - F 2 \*\* - A \* \* \*

① ② ③ ④ ⑤ ⑥ ⑦ ⑧

- ① 产品代号 Product code
- ② 压力等级 Pressure grade F:20MPa
- ③ 齿轮模数 Gear modulus 2
- ④ 公称排量 Nominal displacement (ml/r)
- ⑤ 安装形式 Mounting A:菱形法兰 Oval
- ⑥ 油口形式 Joining port F:法兰连接 Flange L:螺纹连接 Screw
- ⑦ 轴伸形式 Shaft end P:平键 Plain key B:扁口键 Flat end
- ⑧ 旋向 Rotation L:左旋 Left (逆时针 Counterclockwise) R:右旋 Right (顺时针 Clockwise)

性能参数

Performance parameter

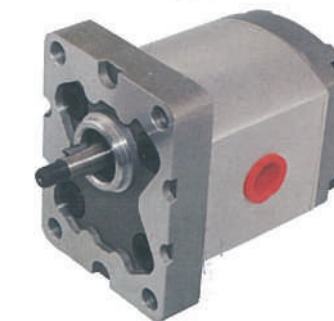
Models	Nominal displacement (mL/r)	Pressure(Mpa)		Rotation speed(r/min)			Volumetric efficiency	D		weight kg
		Rated	Max	Min	Rated	Max		进油口 Inlet	出油口 Outlet	
CBW-F201.5-A***	1.5	20	25	800	2500	3000	83	10	8	0.7
CBW-F202-A***	2.0									0.8
CBW-F202.5-A***	2.5									0.9
CBW-F203-A***	3.0						1.0			
CBW-F204-A***	4.0						1.1			
CBW-F205-A***	5.0						1.2			
CBW-F206-A***	6.0	90	1.3							

CBD1-F200系列齿轮泵

CBD1-F200 Series Gear Pump

CBD1-F2系列齿轮泵采用高强度铝合金材料、轴向间隙补偿、径向平衡、DU套自润滑等多项技术，它具有容积效率高、压力高、噪音低、抗振性强、寿命长等特点，广泛应用于汽车设备、搬运设备、轻工自动化设备等微型动力单元液压系统中。

CBK-1000 series gear pump adopts high-strength aluminum alloy material, axial clearance compensation, radial balance, DU sleeve self-lubrication and many other technologies. It has high volumetric efficiency, high pressure, low noise, strong vibration resistance and long life. With its characteristics, it is widely used in miniature power unit hydraulic systems such as automotive equipment, handling equipment, and light industrial automation equipment.



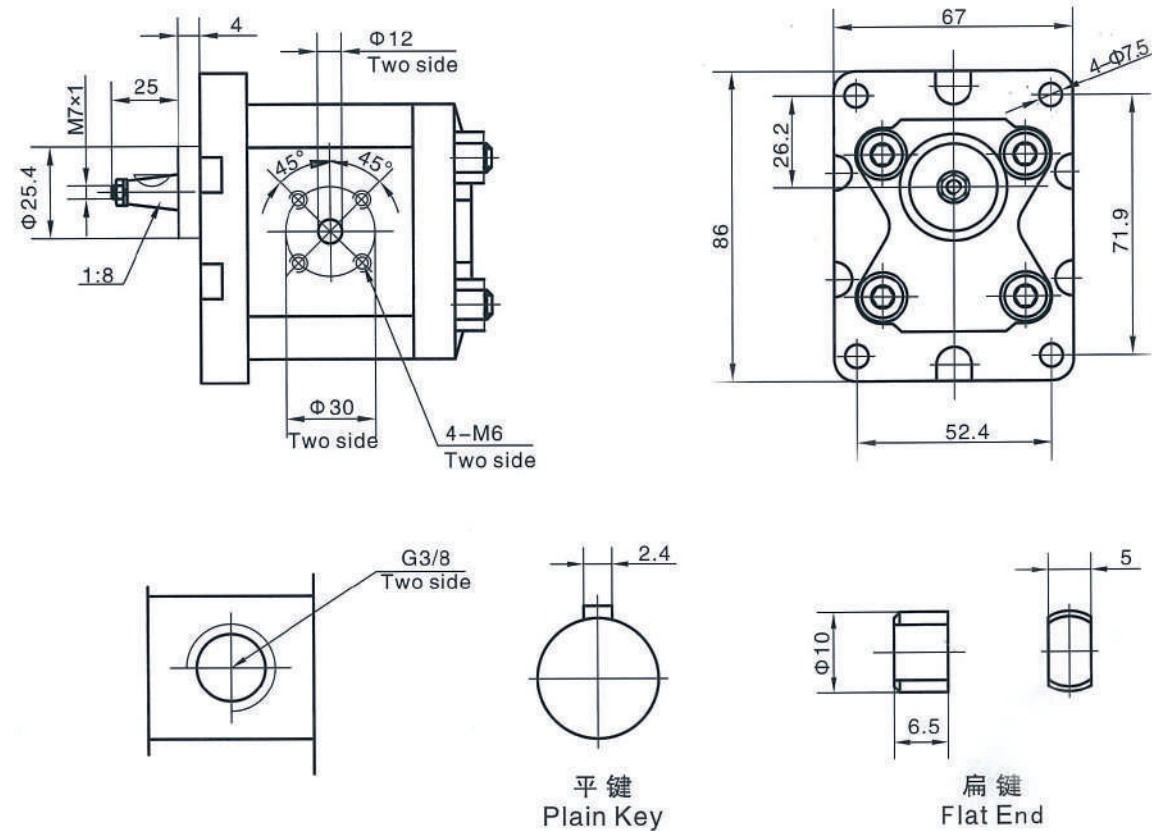
型号说明 Model Coding

CB D1 - F 2 \* \* \* \* - C C

① ② ③ ④ ⑤ ⑥ ⑦ ⑧ ⑨ ⑩

- ① 齿轮泵 Gear Pump
- ② 结构代号 Structure code
- ③ 压力级别 Pressure Grade
- ④ 齿轮模数 Gear Module:m=2
- ⑤ 公称排量 Nominal Displacement ml/r: 1.1,1.3,1.6,2.1,2.7,3.2,3.7,4.2,4.8,5.8,8.0
- ⑥ 进油口螺纹连接 Oil in/outlet Screws Connection:L
- ⑦ 进油口法兰连接 Oil in/outlet Flange connection:F
- ⑧ 轴伸形式 Shaft end:Z:锥形轴伸 Taper B:扁方轴伸 Flat
- ⑨ 旋向 Rotation:R:右旋 right L:左旋 Left
- ⑩ 出油形式 Outlet Oil:侧出 Side outlet  
进油形式 Inlet Oil:侧进 Side inlet

外形图  
Outline Dimensions



性能参数  
Performance parameter

Models	Nominal displacement (mL/r)	Pressure(Mpa)		Rotation speed(r/min)		
		Rated	Max	Rated	Max	Min
CBD1-F201.1	1.1	20	25	2000	6000	600
CBD1-F201.3	1.3	20	25	2000	6000	600
CBD1-F201.6	1.6	20	25	2000	6000	600
CBD1-F202.1	2.1	20	25	2000	6000	600
CBD1-F202.7	2.7	20	25	2000	6000	600
CBD1-F203.2	3.2	20	25	2000	6000	600
CBD1-F203.7	3.7	20	25	2000	6000	600
CBD1-F204.2	4.2	20	25	2000	6000	600
CBD1-F204.8	4.8	16	20	2000	6000	600
CBD1-F205.8	5.8	16	20	2000	6000	600
CBD1-F208.0	8.0	16	20	2000	6000	600

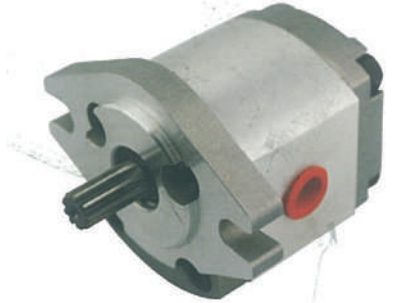
CBD2-F200系列齿轮泵

CBD2-F200 Series Gear Pump

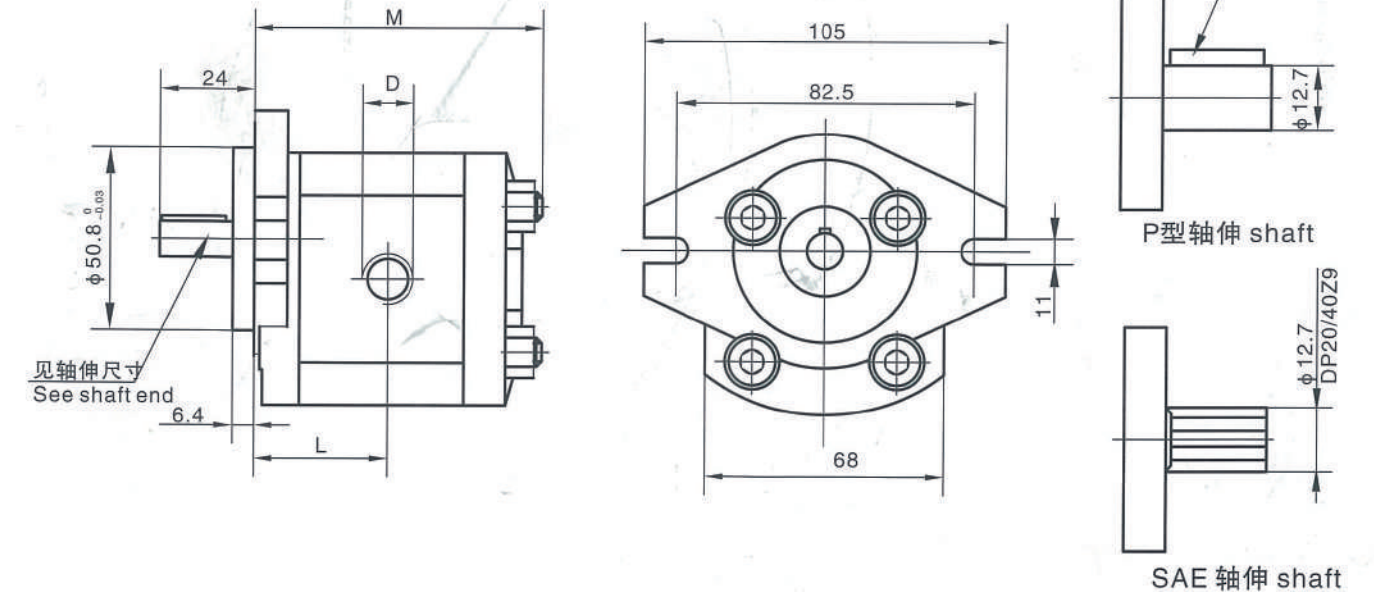
型号说明 Model Coding

CB D2 - F 2 \*\* R R \* \*  
① ② ③ ④ ⑤ ⑥ ⑦ ⑧ ⑨

- ① 齿轮泵 Gear Pump
- ② 结构代号 Structure Code
- ③ 压力级别 Pressure Grade
- ④ 齿轮模数 m=2 Gear Module:m=2
- ⑤ 公称排量ml/r:1.3,2.0,2.7,3.4,4.1,5.1,6.1 Nominal Discharge ml/r:
- ⑥ 菱形法兰 Diamond Flange
- ⑦ 进出口螺纹连接 Oil in/outlet Thread connection
- ⑧ 轴伸形式:P\_平键 S-SAE 花键 Shaft extension type:Flat keyshaft Spline shaft
- ⑨ 旋向:省略-右旋, L-左旋 Turn Direction None-Turn to right L-Turn to Left



外形图  
Outline Dimensions



性能参数  
Performance parameter

Models	Nominal displacement (mL/r)	Pressure(Mpa)		Rotation speed(r/min)			M	L	D	
		Rated	Max	Min	Rated	Max			进油口 Inlet	出油口 Outlet
CBD2-F201.3	1.3	20	25	2000	5000	600	82	42	3/4-16-UNF-2B	9/16-18-UNF-2B
CBD2-F202.0	2.0	20	25	2000	5000	600	84	43	3/4-16-UNF-2B	9/16-18-UNF-2B
CBD2-F202.7	2.7	20	25	2000	5000	600	86	44	3/4-16-UNF-2B	9/16-18-UNF-2B
CBD2-F203.4	3.4	20	25	2000	5100	600	88	45	3/4-16-UNF-2B	9/16-18-UNF-2B
CBD2-F204.1	4.1	20	25	2000	4000	600	90	46	3/4-16-UNF-2B	9/16-18-UNF-2B
CBD2-F205.1	5.1	20	25	2000	4000	600	83	47.5	3/4-16-UNF-2B	9/16-18-UNF-2B
CBD2-F206.1	6.1	20	25	2000	4000	600	96	49	3/4-16-UNF-2B	9/16-18-UNF-2B

# CBQ-F500系列齿轮泵

CBQ-F500 Series Gear Pump

CBQ-\*5系列齿轮油泵壳体采用高强度铝合金材料,内部结构使用了轴向间隙浮动补偿、径向平衡、DU自润滑等多项先进技术。它具有容积效率高、压力高、噪音低、抗振性强、寿命长等特点。广泛应用于叉车、装载机、挖掘机、起重机、压路机等工程机械及矿山、轻工、环卫、农业等行业。

CBK-1000 series gear oil pump housing is made of high-strength aluminum alloy material, and the internal structure uses many advanced technologies such as axial clearance floating compensation, radial balance, and DU self-lubrication. It has the characteristics of high volumetric efficiency, high pressure, low noise, strong vibration resistance and long life. Widely used in forklifts, loaders, excavators, cranes, road rollers and other engineering machinery as well as mining, light industry, sanitation, agriculture and other industries.



D

## 型号说明 Model Coding

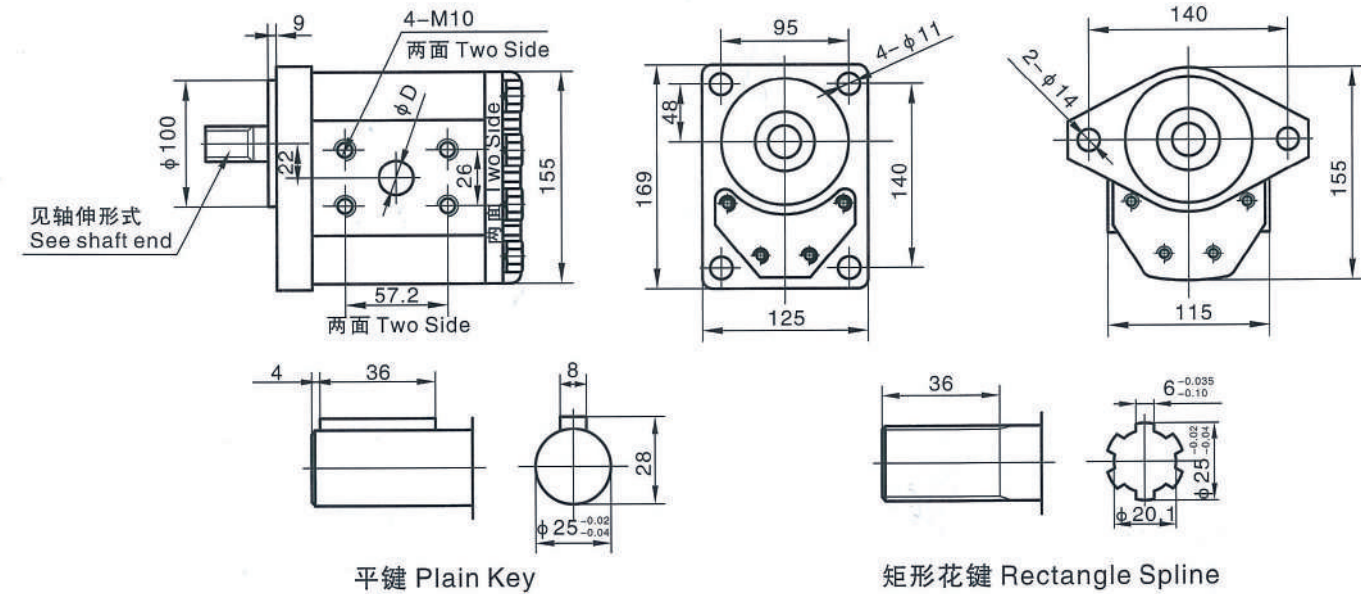
CBQ - \* 5 \*\* - \* F \* \*

① ② ③ ④ ⑤ ⑥ ⑦ ⑧

- ① 产品代号Product code
- ② 压力等级Pressuregrade F:20MPa G:25MPa
- ③ 齿轮模数Gearmodulus 5
- ④ 公称排量Nominal displacement(mL/r)
- ⑤ 安装形式Mounting A:菱形法兰Oval C:矩形法兰Square
- ⑥ 油口形式Joiningport F:法兰连接Flange
- ⑦ 轴伸形式Shaftend P:平键Plain key H:矩形花键Rectangle spline
- ⑧ 旋向Rotation  
L:左旋Left (逆时针Counterclockwise)  
R:右旋Right(顺时针Clockwise is omitted)(省略)

## 外形图

Outline Dimensions



## 性能参数

Performance parameter

Models	Nominal displacement (mL/r)	Pressure(Mpa)		Rotation speed(r/min)			Volumetric efficiency	L1	L	h		D		weight kg
		Rated	Max	Min	Rated	Max				矩形法兰 Rectangle	菱形法兰 Oval	进油口 Inlet	出油口 Outlet	
CBQ-F520-*F**	20	25	28	600	2500	3000	92	62.5	129	23	15	25	20	5.7
CBQ-F525-*F**	25													
CBQ-F532.5-*F**	32													
CBQ-F540-*F**	40	20	25	500	2000	2500	93	67	138	23	15	30	20	6.3
CBQ-F550-*F**	50													
CBQ-F563-*F**	63													
								73	150			35	25	7.3
								77.5	159					8.0

# CBT-F500系列齿轮泵

CBT-F500 Series Gear Pump

## 型号说明 Model Coding

CB T - F 5 \*\* F \* \*

① ② ③ ⑤ ④ ⑥ ⑦ ⑧

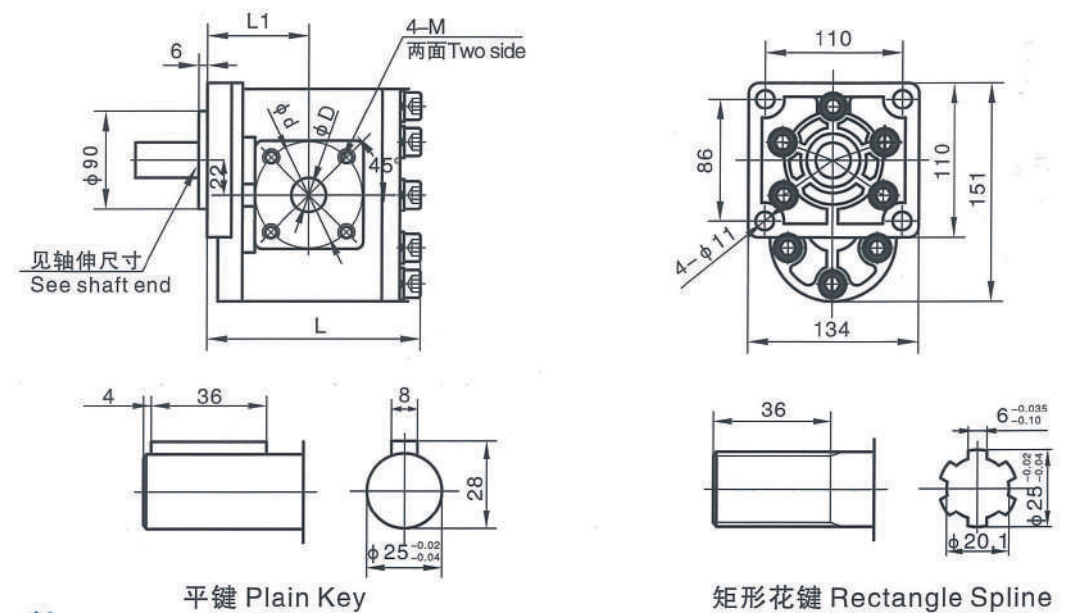
- ① 齿轮泵 Gear Pump
- ② 系列代号 Series Code
- ③ 压力级别:20MPa Pressure Grade
- ④ 齿轮模数m=5 Gear Module
- ⑤ 公称排量ml/r Nominal Discharge:25,32,40,50,63
- ⑥ 进油口法兰连接 Oil In/outlet Flange Connection
- ⑦ 轴伸 Shaft extension type: "p":平键轴伸φ58,键key8x36 Flat key cylinder shaft extension  
"H":矩形花键轴伸6-25f7x20x6d10 Rectangle spline shaft extension
- ⑧ 旋向:省略-右旋, L-左旋 Turn Direction None-Turn to right L-Turn to Left



D

## 外形图

Outline Dimensions



## 性能参数

Performance parameter

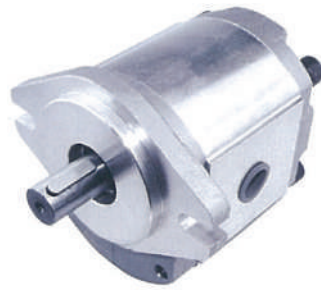
Models	Nominal displacement (mL/r)	Pressure(Mpa)		Rotation speed(r/min)			L	L1	φd	D		M
		Rated	Max	Min	Rated	Max				进油口 Inlet	出油口 Outlet	
CBT-F525	25	20	25	2000	3000	600	127	66	50	φ20	φ20	M8
CBT-F532	32	20	25	2000	3000	600	130	66	65	φ24	φ20	M8
CBT-F540	40	20	25	2000	3000	600	132	66	65	φ30	φ24	M8/10
CBT-F550	50	20	25	2000	3000	600	136	72	76	φ30	φ30	M8/10
CBT-F563	63	20	25	2000	3000	600	142	72	76	φ30	φ24	M8/10

# CBY2000系列齿轮泵

## CBY2000 Series Gear Pump

CBY系列高压齿轮泵,是液压系统中的动力元件。它采用了高强度球墨铸铁壳体。承载能力高的DU轴承。浮动侧板等结构。具有压力高、转速范围宽、结构简单、工作可靠、使用寿命长、并可组成多联泵等特点。广泛适用于工程机械、矿山机械和起重运输机械等工程机械。

CBY series high-pressure gear pump is the power component in the hydraulic system. It uses a high-strength ductile iron shell. DU bearings with high load carrying capacity. Floating side panels and other structures. It has the characteristics of high pressure, wide speed range, simple structure, reliable operation, long service life, and can form a multi-unit pump. It is widely used in construction machinery, mining machinery, lifting and transportation machinery and other engineering machinery.



D

### 型号说明 Model Coding

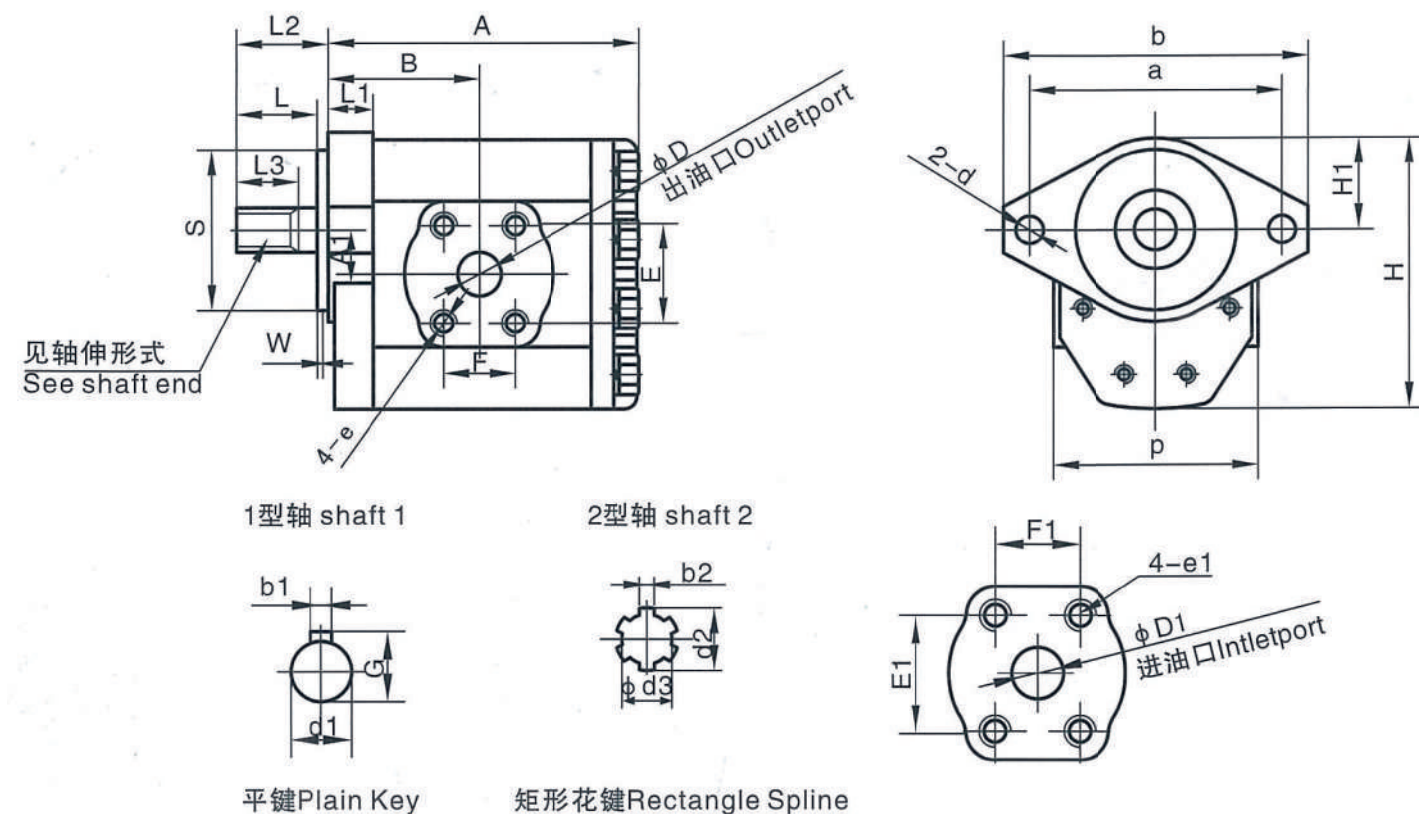
**CB** **Y** **2** **025** **F** - **B** **3** **F** **L**

① ② ③ ④ ⑤ ⑥ ⑦ ⑧

- ① 齿轮泵 Gear pump
- ② 系列代号 Series code
- ③ 单泵(或前泵)组别 Group for single pumps (or shaft end pumps): 2, 3, 4
- ④ 单泵(或前泵)公称排量(ml/r) Nom displacement for single pumps (or shaft end pumps): 10, 16, 25, 32, 40, 50, 63, 80
- ⑤ 单泵(或前、后泵)压力级别(MPa) Pressure grade of single pumps for shaft end pumps or cover end pumps: F=20, E=16, C=10
- ⑥ 安装法兰形式 Mounting flanges: A—菱形法兰 Rhombic flanges  
B—方形法兰 Square flange
- ⑦ 轴伸形式 Shafts: 1—平键(两联泵以上无) Straight keyed (Single bump on)  
2—矩形花键 Rectangle spline 3—渐开线花键 Involute spline
- ⑧ 油口方式 Port mode: F—法兰连接 Flange T—螺纹连接 Thread
- ⑨ 旋向(从轴端看) Rotation viewed from shaft end:  
L—逆时针 Counterclockwise R—顺时针 Clockwise

### 外形图

#### Outline Dimensions



### 性能参数

#### Performance parameter

Models	理论排量 Theo. disp	Pressure (Mpa)		转速 speed (rpm)	工作油液 Working oil (mm <sup>2</sup> /s)	工作油温 Working oil (mm <sup>2</sup> /s)	工作油液 过滤精度 Poltrating accuracy (μm)	输出功率 Input power (KW)			weight kg	Volumetric efficiency
		Rated	Max					C	E	F		
CBY2010	10.18	20	25	3000	20~43 液压油 Hydraulic oil	-20~80	≤25	5.7	9	11.3	10.3	≥89
CBY2016	16.4							9.1	14.6	18.2	10.8	
CBY2020	20							11.4	18.3	22.7	11	
CBY2025	25.45							14.1	22.6	28.3	11.5	
CBY2032	32.23			17.8				28.5	35.6	12	≥90	
CBY2040	40.15	22.3	35.7	44.6	12.5							

尺寸Size (mm)	L	L1	L2	L3	S	W	A1	P	a	b	d	H	
型号 Model	CBY2	36	17	50	28	φ100f7	7	22	120	140	162	φ14	154.5

尺寸Size (mm)	H1	D1	b1	G	d2	d3	b2	
型号 Model	CBY2	62.5	φ25f7	8h9	28	φ21b12	φ25f7	5f9

尺寸Size (mm)	A	B	D	E	F	e	D1	E1	F1	e1	
型号 Model	2010	36	17	φ25 (M27×2)	52	26	M10深16	φ30 (M33×2)	60	30	M10深16
	2016	129.5	66								
	2020	133	67.5								
	2025	137.5	70								
	2032	143.5	73								
	2040	150.5	76								

D



# GHP1系列齿轮泵

GHP1 Series Gear Pump

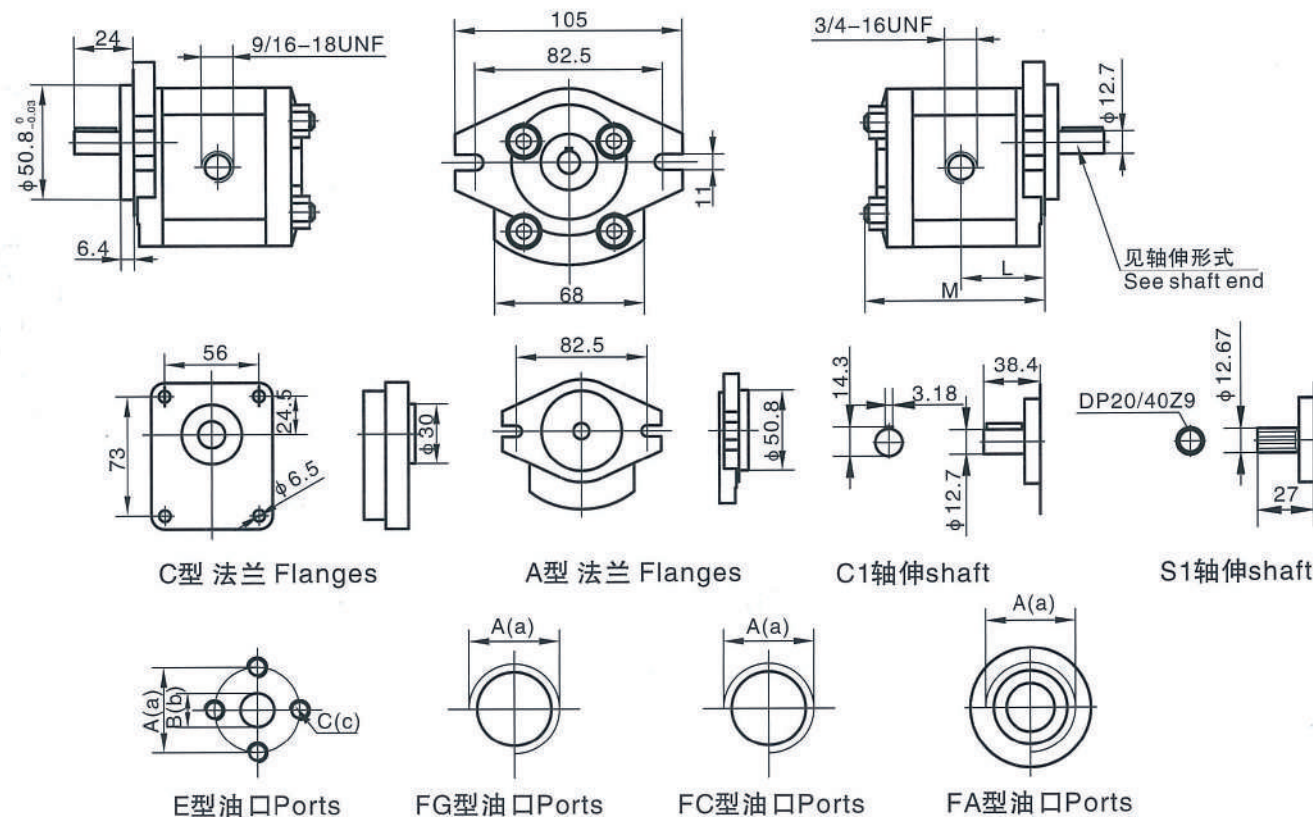
型号说明 Model Coding

GHP1	法兰类型 TYPE	旋向 ROTAION	规格 SIZE	轴型* SHAFI	油口* PORTS
	省略	D 顺时针转 CLOCKWISE	2		
	A		3		
	AQ	S 顺时针转 COUNTER CLOCKWISE	4		
	A2		5		
			6		
		R 可正反转 REVERSIBLE	7		
			9		
			5		
			...		
			...		
			...		



## 外形图

Outline Dimensions



## 性能参数

Performance parameter

类型 TYPE		进油口Inlet			出油口Outlet		
		A	B	C	a	b	c
GHP1...2	GHP1...9	30	13	M6	30	13	M6

## FG型油口 Ports

Performance parameter

类型 TYPE		进油口Inlet	出油口Outlet
		A	a
GHP1...2	GHP1...5	G1/2	G3/8
GHP1...6	GHP1...9	G1/2	G1/2

## 性能参数

Performance parameter

类型 TYPE		进油口Inlet	出油口Outlet
		A	a
GHP1...2	GHP1...9	Rr1/2	Rr1/2

## FG型油口 Ports

Performance parameter

类型 TYPE		进油口Inlet	出油口Outlet
		A	a
GHP1...2	GHP1...9	3/4.16UNF	9/16.18UNF

## 性能参数

Performance parameter

### GHP1

规格 TYPE	displacement cm <sup>3</sup> /giro(cm <sup>3</sup> /rev)	在1500rpm时的流量 FLOW at 1500 rev/min Litrl/min (liter/min)	Rotation speed(r/min)			MAX SPEED Giri/min(rpm)	尺寸Dimensions(mm)	
			P1	P2	P3		L	M
GHP1-D-2	1.4	2.0	290	300	310	6000	40	79
GHP1-D-3	2.1	2.9	290	300	310	6000	41	81
GHP1-D-4	2.8	3.9	290	300	310	5000	42	83
GHP1-D-5	3.5	4.9	270	280	290	5000	43	85
GHP1-D-6	4.1	5.9	270	280	290	4000	44	87
GHP1-D-7	5.2	7.4	260	270	280	4000	45.5	90
GHP1-D-9	6.2	8.8	260	270	280	3800	47	93

### GHP1

规格 TYPE	displacement cm <sup>3</sup> /giro(cm <sup>3</sup> /rev)	在1500rpm时的流量 FLOW at 1500 rev/min Litrl/min (liter/min)	Rotation speed(r/min)			MAX SPEED Giri/min(rpm)	尺寸Dimensions(mm)	
			P1	P2	P3		L	M
GHP1A-D-2	1.4	2.0	290	300	310	6000	42	81
GHP1A-D-3	2.1	2.9	290	300	310	6000	43	83
GHP1A-D-4	2.8	3.9	290	300	310	5000	44	85
GHP1A-D-5	3.5	4.9	270	280	290	5000	45	87
GHP1A-D-6	4.1	5.9	270	280	290	4000	46	89
GHP1A-D-7	5.2	7.4	260	270	280	4000	47.5	92
GHP1A-D-9	6.2	8.8	260	270	280	3800	49	95

### GHP1

规格 TYPE	displacement cm <sup>3</sup> /giro(cm <sup>3</sup> /rev)	在1500rpm时的流量 FLOW at 1500 rev/min Litrl/min (liter/min)	Rotation speed(r/min)			MAX SPEED Giri/min. (rpm)	尺寸Dimensions(mm)			
			P1	P2	P3		L	M	d	D
GHP1A2-D-2	1.4	2.0	220	240	260	6000	41	80	9/16-18UNF	3/4-16UNF
GHP1A2-D-3	2.1	2.9	220	240	260	6000	42	82	9/16-18UNF	3/4-16UNF
GHP1A2-D-4	2.8	3.9	220	240	260	5000	43	84	9/16-18UNF	3/4-16UNF
GHP1A2-D-5	3.5	4.9	220	240	260	5000	44	86	9/16-18UNF	3/4-16UNF
GHP1A2-D-6	4.1	5.9	210	230	250	4000	45	88	9/16-18UNF	3/4-16UNF
GHP1A2-D-7	5.2	7.4	210	230	250	3500	46.5	91	9/16-18UNF	3/4-16UNF
GHP1A2-D-9	6.2	8.8	200	220	240	3000	48	94	9/16-18UNF	3/4-16UNF
GHP1A2-D-11	7.6	10.8	170	180	200	3500	50	98	3/4-16UNF	7/8-14UNF
GHP1A2-D-13	9.3	13.3	160	170	190	3000	52.5	103	3/4-16UNF	7/8-14UNF
GHP1A2-D-16	11.0	15.7	140	150	170	2500	55	108	3/4-16UNF	7/8-14UNF
GHP1A2-D-20	13.8	19.7	130	140	160	2000	59	116	3/4-16UNF	7/8-14UNF

# GHP2系列齿轮泵

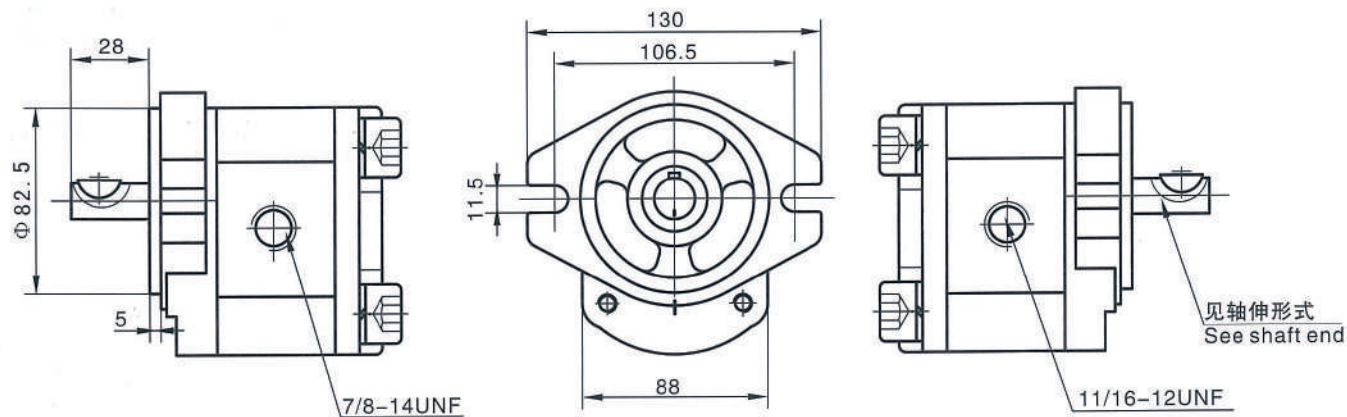
GHP2 Series Gear Pump

## 型号说明 Model Coding

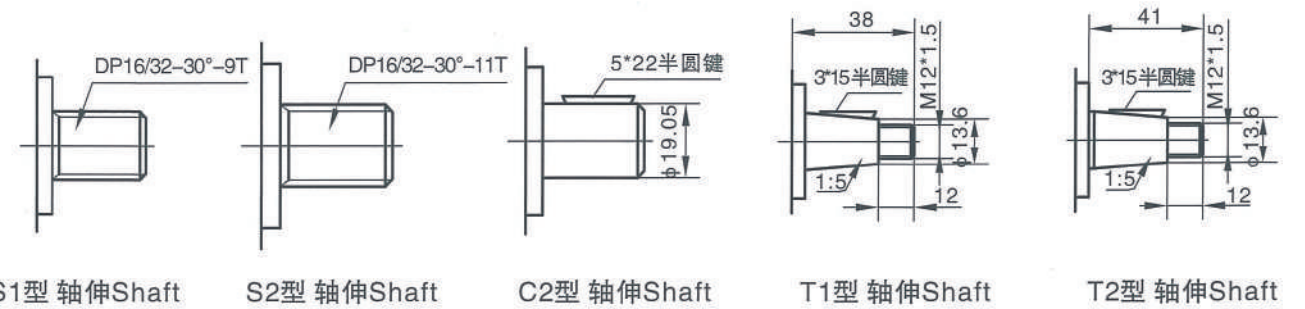
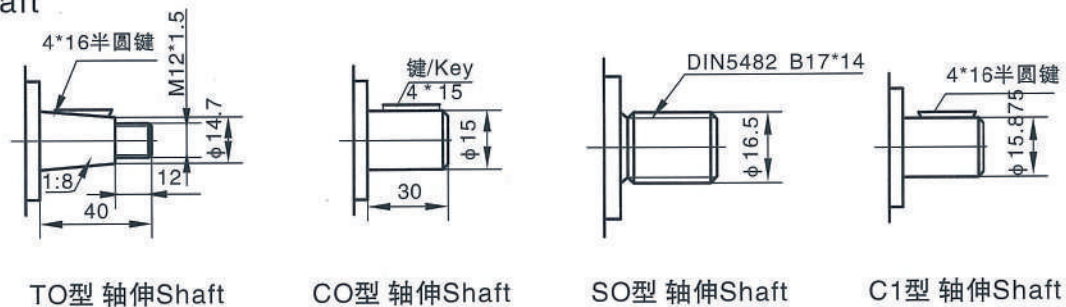
GHP2	法兰类型 TYPE	旋向 ROTAION	规格 SIZE	轴型* SHAFI	油口* PORTS
	省略	D 顺时针转 CLOCKWISE	6		
	A		9		
	A3	S 顺时针转 CLOCKWISE	10		
	BK1		13		
	BK2		16		
	BK4	R 可正反转 REVERSIBLE	20		
	BK7		22		
			25		
			30		
			34		
			40		



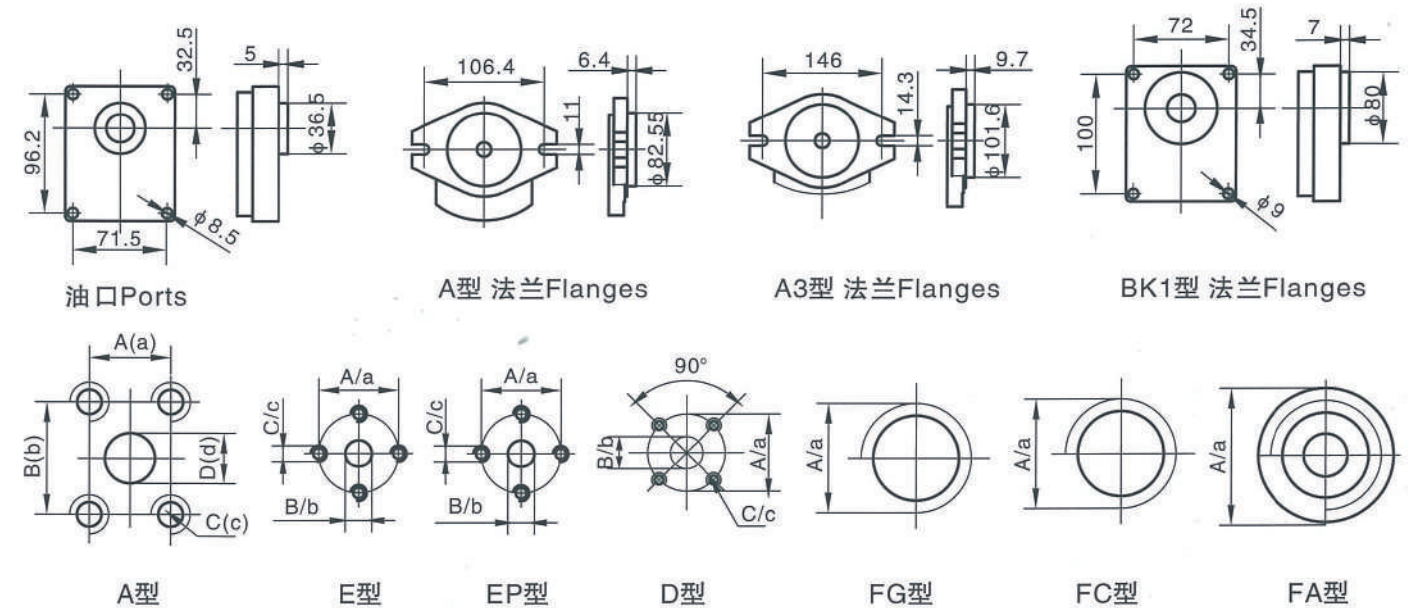
## 性能参数 Performance parameter



## 轴伸 / Shaft



## 法兰 / FLANGES



## E型油口Ports

类型 TYPE	进油口Inlet			出油口Outlet			
	A	B	C	a	b	c	
GHP2...6	GHP2...9	30	13	M6	30	13	M6
GHP2...10	GHP2...13	40	13	M8	40	13	M8
GHP2...16	GHP2...25	40	19	M8	40	13	M8
GHP2...30	GHP2...40	40	19	M8	40	19	M8

## EP型油口 Ports

类型 TYPE	进油口Inlet			出油口Outlet			
	A	B	C	a	b	c	
GHP2...10	GHP2...13	30	13	M6	30	13	M6
GHP2...16	GHP2...40	40	19	M8	30	19	M8

## FG型油口Ports

类型 TYPE	进油口Inlet		出油口Outlet	
	A	a	A	a
GHP2...6	GHP2...16	G1/2	G1/2	G1/2
GHP2...20	GHP2...40	G3/4	G1/2	G1/2

## FC型油口 Ports

类型 TYPE	进油口Inlet		出油口Outlet	
	A	a	A	a
GHP2...6	GHP2...16	Rc1/2	Rc1/2	Rc1/2
GHP2...20	GHP2...40	Rc3/4	Rc1/2	Rc1/2

## FA型油口Ports

类型 TYPE	进油口Inlet			出油口Outlet		
	A	B	C	a	b	c
GHP2...6	GHP2...40	11/16-12UN		7/8-14 UNF		

## D型油口Ports

类型 TYPE	进油口Inlet			出油口Outlet			
	A	B	C	a	b	c	
GHP2...6	GHP2...9	40	15	M6	35	15	M6
GHP2...13	GHP2...34	40	20	M6	35	15	M6

**A型油口 Ports**

TYPE		Rotation speed(r/min)				Rotation speed(r/min)			
		A	B	C	D	a	b	c	d
GHP2..6	GHP2..22	17.48	38.1	5/16-18UNC	13	17.48	38.1	5/16-18UNC	13
GHP2...25		22.23	47.63	3/8-16UNC	19	17.48	38.1	5/16-18UNC	13
GHP2...30	GHP2...40	22.23	47.63	3/8-16UNC	19	22.23	47.63	3/8-16UNC	13

**性能参数**

Performance parameter

**GHP2**

规格 TYPE	displacement cm <sup>3</sup> /giro(cm <sup>3</sup> /rev)	在1500rpm时的流量 FLOW at 1500 rev/min Litrl/min (liter/min)	MAX PRESSURE			MAX SPEED Giri/min. (rpm)
			P1	P2	P3	
GHP2-D-6	4.5	6.4	280	290	310	4000
GHP2-D-9	6.4	9.1	280	290	310	4000
GHP2-D-10	7.0	10.0	280	290	310	4000
GHP2-D-18	9.6	13.7	280	290	310	3000
GHP2-D-16	11.5	16.4	280	290	310	4000
GHP2-D-20	14.1	20.1	260	270	290	4000
GHP2-D-22	16.0	22.8	260	270	290	4000
GHP2-D-25	17.9	25.5	260	270	290	3600
GHP2-D-30	21.1	30.1	230	240	260	3200
GHP2-D-34	23.7	33.7	230	240	260	3000
GHP2-D-40	28.2	40.1	200	210	230	2500

**GHP2A**

规格 TYPE	displacement cm <sup>3</sup> /giro(cm <sup>3</sup> /rev)	在1500rpm时的流量 FLOW at 1500 rev/min Litrl/min (liter/min)	MAX PRESSURE		
			P1	P2	P3
GHP2A-D-6	4.5	6.4	280	290	310
GHP2A-D-9	6.4	9.1	280	290	310
GHP2A-D-10	7.0	10.0	280	290	310
GHP2A-D-13	9.6	13.7	280	290	310
GHP2A-D-16	11.5	16.4	280	290	310
GHP2A-D-20	14.1	20.1	260	270	290
GHP2A-D-22	16.0	22.8	260	270	290
GHP2A-D-25	17.9	25.5	260	270	290
GHP2A-D-30	21.1	30.1	230	240	260
GHP2A-D-34	23.7	33.7	230	240	260
GHP2A-D-40	28.2	40.1	200	210	230

**GHP2BK1**

规格 TYPE	displacement cm <sup>3</sup> /giro(cm <sup>3</sup> /rev)	在1500rpm时的流量 FLOW at 1500 rev/min Litrl/min (liter/min)	MAX PRESSURE			MAX SPEED Giri/min. (rpm)
			P1	P2	P3	
GHP2BK1-D-6	4.5	6.4	280	290	310	4000

GHP2BK1-D-9	6.4	9.1	280	290	310	4000
GHP2BK1-D-13	9.6	13.7	280	290	310	4000
GHP2BK1-D-16	11.5	16.4	280	290	310	3000
GHP2BK1-D-20	14.1	20.1	260	270	290	4000
GHP2BK1-D-22	16.0	22.8	260	270	290	4000
GHP2BK1-D-30	21.1	30.1	230	240	260	3400
GHP2BK1-D-34	23.7	33.7	230	240	260	3000

**GHP2BK2**

规格 TYPE	displacement cm <sup>3</sup> /giro(cm <sup>3</sup> /rev)	在1500rpm时的流量 FLOW at 1500 rev/min Litrl/min (liter/min)	MAX PRESSURE			MAX SPEED Giri/min. (rpm)
			P1	P2	P3	
GHP2BK2-D-6	4.5	6.4	280	290	310	4000
GHP2BK2-D-9	6.4	9.1	280	290	310	4000
GHP2BK2-D-10	9.6	13.7	280	290	310	4000
GHP2BK2-D-18	11.5	16.4	280	290	310	3000
GHP2BK2-D-16	14.1	20.1	260	270	290	4000
GHP2BK2-D-20	16.0	22.8	260	270	290	4000
GHP2BK2-D-22	21.1	30.1	230	240	260	3400
GHP2BK2-D-25	23.7	33.7	230	240	260	3000

**GHP2BK4**

规格 TYPE	displacement cm <sup>3</sup> /giro(cm <sup>3</sup> /rev)	在1500rpm时的流量 FLOW at 1500 rev/min Litrl/min (liter/min)	MAX PRESSURE			MAX SPEED Giri/min. (rpm)
			P1	P2	P3	
GHP2BK4-D-6	4.5	6.4	280	290	310	4000
GHP2BK4-D-9	6.4	9.1	280	290	310	4000
GHP2BK4-D-13	9.6	13.7	280	290	310	4000
GHP2BK4-D-16	11.5	16.4	280	290	310	3000
GHP2BK4-D-20	14.1	20.1	260	270	290	4000
GHP2BK4-D-22	16.0	22.8	260	270	290	4000
GHP2BK4-D-30	21.1	30.1	230	240	260	3400
GHP2BK4-D-34	23.7	33.7	230	240	260	3000

**GHP2BK7**

规格 TYPE	displacement cm <sup>3</sup> /giro(cm <sup>3</sup> /rev)	在1500rpm时的流量 FLOW at 1500 rev/min Litrl/min (liter/min)	MAX PRESSURE			MAX SPEED Giri/min. (rpm)
			P1	P2	P3	
GHP2BK7-D-6	4.5	6.4	280	290	310	4000
GHP2BK7-D-9	6.4	9.1	280	290	310	4000
GHP2BK7-D-13	9.6	13.7	280	290	310	4000
GHP2BK7-D-16	11.5	16.4	280	290	310	3000
GHP2BK7-D-20	14.1	20.1	260	270	290	4000
GHP2BK7-D-22	16.0	22.8	260	270	290	4000
GHP2BK7-D-30	21.1	30.1	230	240	260	3400
GHP2BK7-D-34	23.7	33.7	230	240	260	3000

# 1AG系列齿轮泵

1AG Series Gear Pump

型号说明 Model Coding

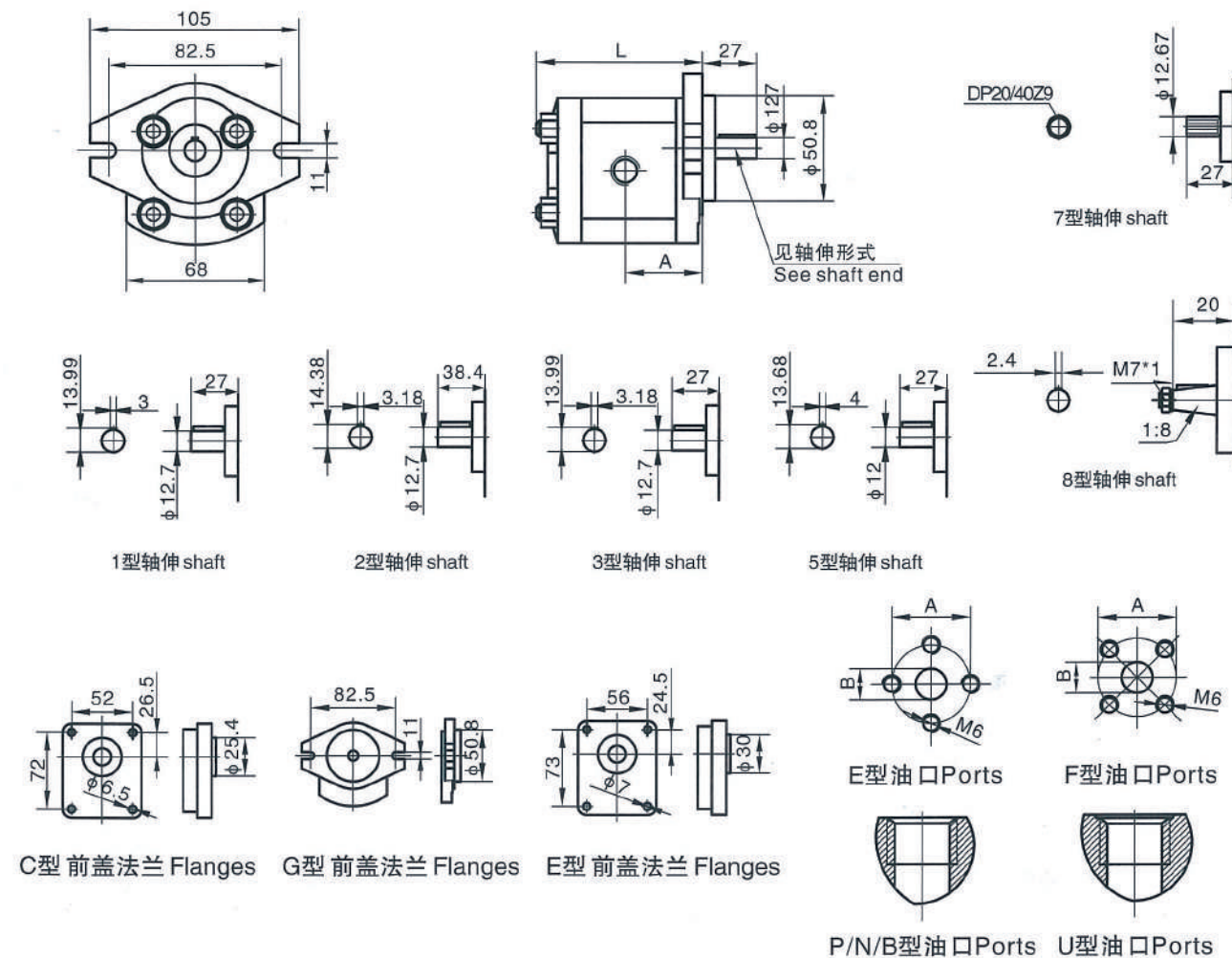
**1 A G 1 P** □ □ □  
① ② ③ ④ ⑤ ⑥ ⑦

- ① 系列Series
- ② 型式/功能Type/Function
- ③ 前盖 Front cover
- ④ 轴伸 Shaft End (1.2.7.9型)
- ⑤ 出入口油口Oilin/outlet
- ⑥ 型号Model
- ⑦ 旋向 Rotation

假设您需要的排量是5.1mVrev.旋向是右旋,正确的订购型号为:1AG1P05R  
Assuming the displacement you need is 5.1mVrev and the rotation direction is right hand, the correct ordering model is: 1AG1P05R



## 外形图 Outline Dimensions



## 性能参数

Performance parameter

Models	Nominal displacement (mL/r)	Pressure(Mpa)		转速 speed(r/min)	尺寸Dimensions(mm)		重量 Weight (kg)
		Rated	Max		A	L	
0S	0.6	21	25	600-4000	41.3	79.1	1.09
01	1.3	21	25		42.0	80.6	1.10
02	2.0	21	25		43.0	82.6	1.14
27	2.7	21	25		44.0	84.6	1.18
35	3.4	21	25		45.0	86.6	1.21
04	4.1	21	25		46.0	88.6	1.25
05	5.1	21	25		47.5	91.6	1.30
06	6.1	21	23	600-2500	49.0	94.6	1.35
07	7.4	20	23		51.0	98.8	1.41
09	9.1	18	20		53.5	103.6	1.49
11	11.0	16	18		56.5	109.6	1.58
13	13.5	16	18		60.0	116.6	1.69

注:转速超过2500RPM或有特殊使用条件,请洽本公司。  
Note: If the speed exceeds 2500RPM or there are special conditions of use, please contact us.

## UNF油口 UNF Port

代码Code	型号 Model*0S*-*06*		型号 Model*07*-*13*	
	进油口Inlet	出油口Outlet	进油口Inlet	出油口Outlet
U	UNF# 8 3/4"-16	UNF#6 9/16"-18	UNF# 8 7/8"-18	UNF#8 3/4"-16

## PT NPT BSPF油口 PT NPT BSPF Port

代码 Code	型号 Model*0S*-*06*		型号 Model*07*-*13*	
	进油口Inlet	出油口Outlet	进油口Inlet	出油口Outlet
P	PT 1/2"	PT 3/8"	PT 3/4"	PT 1/2"
N	NPT 1/2"	NPT 3/8"	NPT 3/4"	NPT 1/2"
B	BSPF 1/2"	BSPF 3/8"	BSPF 3/4"	BSPF 1/2"

代码Code	型号 Model*0S*-*06*	
	进油口Inlet	出油口Outlet
F	A	B
	φ30	φ13

## 菱形法兰 Diamond Flange

代码Code	型号 Model*0S*-*06*	
	进油口Inlet	出油口Outlet
E	A	B
	φ30	φ13

# ALP1系列齿轮泵

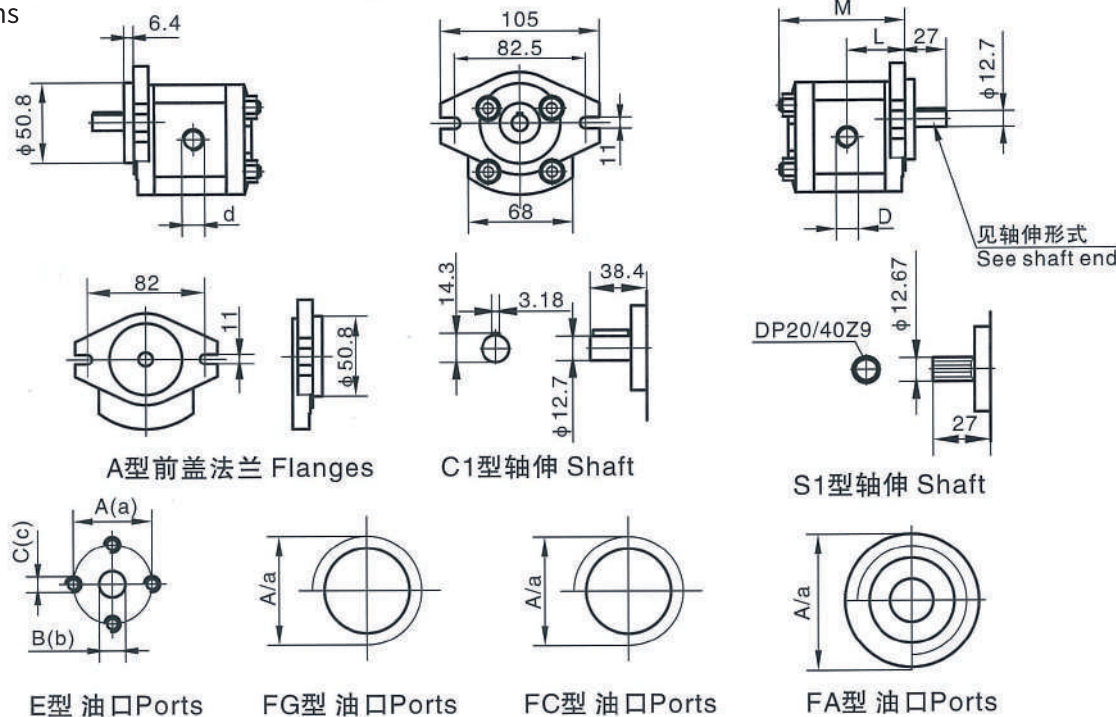
ALP1 Series Gear Pump

## 型号说明 Model Coding

ALP1	法兰类型 TYPE	旋向 ROTAION	规格 SIZE	轴型* SHAFI	油口* PORTS
	省略 A	D 顺时针转 CLOCKWISE	2 3 4 5 6 7 9 11 13 16 20		
		S 顺时针转 COUNTER CLOCKWISE			
		R 可正反转 REVERSIBLE			



## 外形图 Outline Dimensions



类型 TYPE	进油口Inlet			出油口Outlet			
	A	B	C	a	b	c	
APL1...2	APL1...20	30	13	M6	30	13	M6

类型 TYPE	进油口Inlet		出油口Outlet	
	A		a	
APL1...2	APL1...9		Rr1/2	

类型 TYPE	进油口Inlet		出油口Outlet	
	A		a	
APL1...2	APL1...9		G1/2	
APL1...6	APL1...20		G1/2	

类型 TYPE	进油口Inlet		出油口Outlet	
	A		a	
APL1...2	APL1...9		3/4.16UNF	
APL1...11	APL1...20		7/8.14UNF	

## 性能参数

Performance parameter

### GHP1

规格 TYPE	displacement cm <sup>3</sup> /giro(cm <sup>3</sup> /rev)	在1500rpm时的流量 FLOW at 1500 rev/min Litrl/min (liter/min)	Rotation speed(r/min)			MAX SPEED Giri/min(rpm)	尺寸Dimensions(mm)	
			P1	P2	P3		L	M
ALP1-D-2	1.4	2.0	220	240	260	6000	40	80.5
ALP1-D-3	2.1	2.9	220	240	260	6000	41	82.5
ALP1-D-4	2.8	3.9	220	240	260	5000	42	84.5
ALP1-D-5	3.5	4.9	220	240	260	5000	43	86.5
ALP1-D-6	4.1	5.9	210	230	250	4000	44	88.5
ALP1-D-7	5.2	7.4	210	230	250	4000	45.5	91.5
ALP1-D-9	6.2	8.8	200	220	240	3800	47	94.5
ALP1-D-11	7.6	10.8	170	180	200	3200	49	98.5
ALP1-D-13	9.3	13.3	160	170	190	2600	51.5	103.5

### GHP1

规格 TYPE	displacement cm <sup>3</sup> /giro(cm <sup>3</sup> /rev)	在1500rpm时的流量 FLOW at 1500 rev/min Litrl/min (liter/min)	Rotation speed(r/min)			MAX SPEED Giri/min. (rpm)	尺寸Dimensions(mm)			
			P1	P2	P3		L	M	d	D
ALP1-D-2	1.4	2.0	220	240	260	6000	42	80.5	9/16-18UNF	3/4-16UNF
ALP1-D-3	2.1	2.9	220	240	260	6000	43	82.5	9/16-18UNF	3/4-16UNF
ALP1-D-4	2.8	3.9	220	240	260	5000	44	84.5	9/16-18UNF	3/4-16UNF
ALP1-D-5	3.5	4.9	220	240	260	5000	45	86.5	9/16-18UNF	3/4-16UNF
ALP1-D-6	4.1	5.9	210	230	250	4000	46	88.5	9/16-18UNF	3/4-16UNF
ALP1-D-7	5.2	7.4	210	230	250	3500	47.5	91.5	9/16-18UNF	3/4-16UNF
ALP1-D-9	6.2	8.8	200	220	240	3000	49	94.5	9/16-18UNF	3/4-16UNF
ALP1-D-11	7.6	10.8	170	180	200	3500	51	98.5	3/4-16UNF	7/8-14UNF
ALP1-D-13	9.3	13.3	160	170	190	3000	53.5	103.5	3/4-16UNF	7/8-14UNF

# ALP2系列齿轮泵

ALP2 Series Gear Pump

## 型号说明 Model Coding

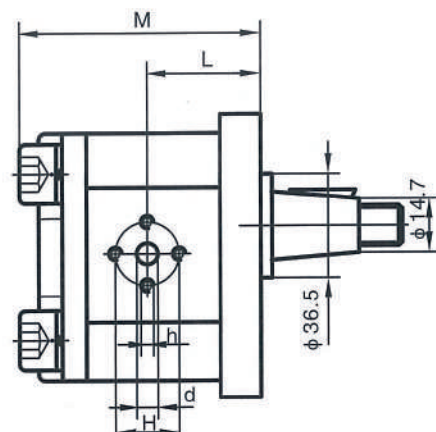
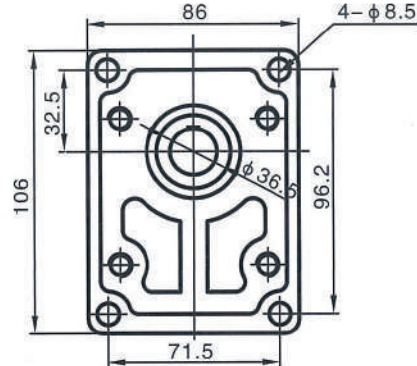
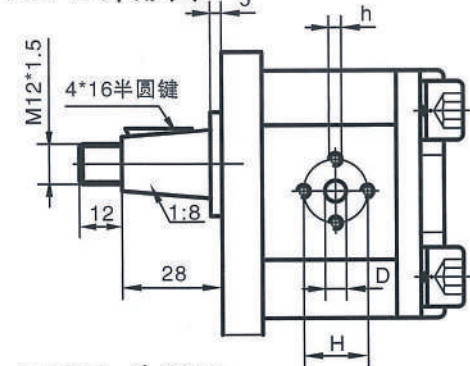
ALP2	法兰类型 TYPE	旋向 ROTAION	规格 SIZE	轴型* SHAFI	油口* PORTS
	省略 A	D 顺时针转 CLOCKWISE	6 9		
	BK1 BK2 BK4 BK7	S 顺时针转 COUNTER CLOCKWISE	10 13 16 20		
		R 可正反转 REVERSIBLE	22 25 30 34 40 50		



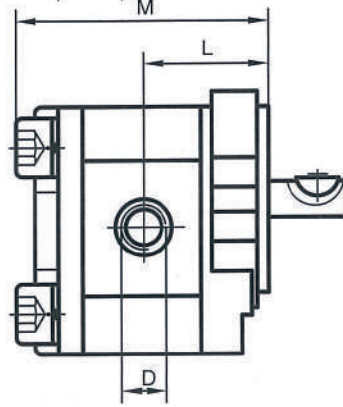
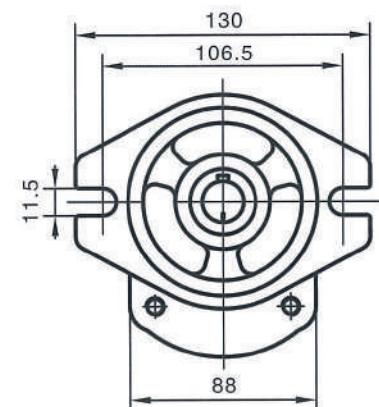
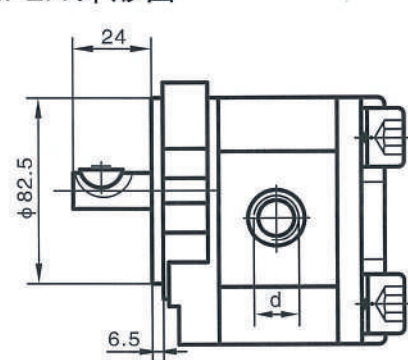
**外形图**

Outline Dimensions

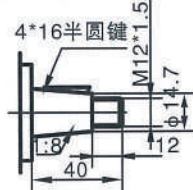
ALP2 外形图



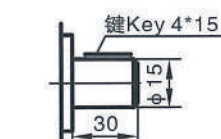
ALP2A 外形图



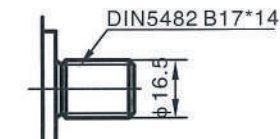
**轴伸 Shaft**



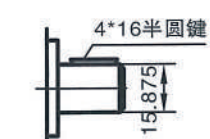
TO型 轴伸/Shaft



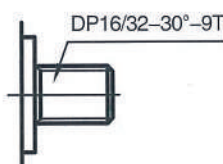
CO型 轴伸/Shaft



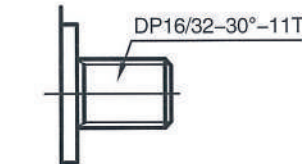
SO型 轴伸/Shaft



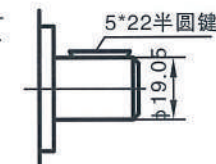
C1型 轴伸/Shaft



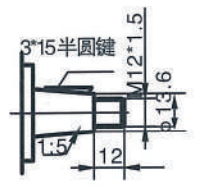
S1型 轴伸/Shaft



S2型 轴伸/Shaft

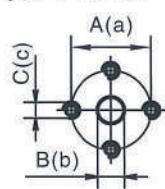


C2型 轴伸/Shaft

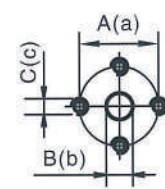


T1型 轴伸/Shaft

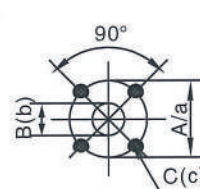
**油口 Ports**



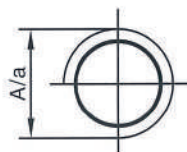
E型



EP型



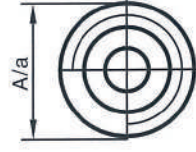
D型



FG型



FC型



FA型

E型油口Ports		进油口Inlet			出油口Outlet		
		A	B	C	a	b	c
ALP2...6	ALP2...9	30	13	M6	30	13	M6
ALP2...10	ALP2...13	40	13	M8	40	13	M8
ALP2...16	ALP2...25	40	19	M8	40	13	M8
ALP2...30	ALP2...40	40	19	M8	40	19	M8
ALP2...50		40	21	M8	40	19	M8

EP型油口Ports		进油口Inlet			出油口Outlet		
		A	B	C	a	b	c
ALP2...10	ALP2...13	30	13	M6	30	13	M6
ALP2...16	ALP2...40	40	19	M8	30	13	M6

FG型油口Ports		进油口Inlet	出油口Outlet
		A	a
ALP2...6	ALP2...16	G1/2	G1/2
ALP2...20	ALP2...50	G3/4	G1/2

FC型油口Ports		进油口Inlet	出油口Outlet
		A	a
ALP2...6	ALP2...16	Rc1/2	Rc1/2
ALP2...20	ALP2...50	Rc3/4	Rc1/2

D型油口Ports		进油口Inlet			出油口Outlet		
		A	B	C	a	b	c
ALP2...6	ALP2...9	40	15	M6	35	15	M6
ALP2...13	ALP2...34	40	20	M6	35	15	M6

FA型油口Ports		进油口Inlet	出油口Outlet
		A	a
ALP2...6	ALP2...40	1 1/16-12UNF	7/8-14UNF
ALP2...50		1 5/16-12UNF	1 1/16-12UNF

**性能参数**

Performance parameter

规格 TYPE	displacement cm <sup>3</sup> /giro(cm <sup>3</sup> /rev)	在1500rpm时的流量 FLOW at 1500 rev/min Litrl/min (liter/min)	Rotation speed(r/min)			MAX SPEED Giri/min(rpm)	尺寸Dimensions(mm)					
			P1	P2	P3		L	M	d	D	h	H
ALP2A-D-6	4.5	6.4	230	240	270	4000	45.5	93.5	13	13	M6	30
ALP2A-D-9	6.4	9.1	230	240	270	4000	47	96.5	13	13	M6	30
ALP2A-D-10	7.0	10.0	230	240	270	4000	47.5	97.2	13	13	M8	40
ALP2A-D-18	9.6	13.7	220	240	260	3000	49.5	101.5	13	13	M8	40
ALP2A-D-16	11.5	16.4	220	230	260	4000	51	104.5	19	13	M8	40
ALP2A-D-20	14.1	20.1	210	230	240	4000	53	108.5	19	13	M8	40
ALP2A-D-22	16.0	22.8	210	220	240	4000	54.5	111.5	19	13	M8	40
ALP2A-D-25	17.9	25.5	200	180	230	3600	56	114.5	19	13	M8	40
ALP2A-D-30	21.1	30.1	180	170	210	3200	58.5	119.5	19	19	M8	40
ALP2A-D-34	23.7	33.7	160	150	190	3000	60.5	123.5	19	19	M8	40
ALP2A-D-40	28.2	40.1	130	140	180	1800	64	130.5	19	19	M8	40

规格 TYPE	displacement cm <sup>3</sup> /giro(cm <sup>3</sup> /rev)	在1500rpm时的流量 FLOW at 1500 rev/min Litrl/min (liter/min)	Rotation speed(r/min)			MAX SPEED Giri/min. (rpm)	尺寸Dimensions(mm)			
			P1	P2	P3		L	M	d	D
ALP2A-D-6	4.5	6.4	230	240	270	4000	45.5	93.5	7/8-14UNF	11/16-12UNF
ALP2A-D-9	6.4	9.1	230	240	270	4000	47	96.5	7/8-14UNF	11/16-12UNF
ALP2A-D-10	7.0	10.0	230	240	270	4000	47.5	97.5	7/8-14UNF	11/16-12UNF
ALP2A-D-18	9.6	13.7	220	240	260	4000	49.5	101.5	7/8-14UNF	11/16-12UNF
ALP2A-D-16	11.5	16.4	220	230	260	4000	51	104.5	7/8-14UNF	11/16-12UNF
ALP2A-D-20	14.1	20.1	210	230	240	3200	53	108.5	7/8-14UNF	11/16-12UNF
ALP2A-D-22	16.0	22.8	210	220	240	2800	54.5	111.5	7/8-14UNF	11/16-12UNF
ALP2A-D-25	17.9	25.5	200	180	230	2500	56	114.5	7/8-14UNF	11/16-12UNF
ALP2A-D-30	21.1	30.1	180	170	210	2200	58.5	119.5	7/8-14UNF	11/16-12UNF
ALP2A-D-34	23.7	33.7	160	150	190	2000	60.5	123.5	7/8-14UNF	11/16-12UNF
ALP2A-D-40	28.2	40.1	130	140	180	1800	64	130.5	7/8-14UNF	11/16-12UNF

**性能参数**

Performance parameter

**ALP2BK1**

规格 TYPE	displacement cm <sup>3</sup> /giro(cm <sup>3</sup> /rev)	在1500rpm时的流量 FLOW at 1500 rev/min Litrl/min (liter/min)	Rotation speed(r/min)			MAX SPEED Giri/min(rpm)	尺寸Dimensions(mm)		
			P1	P2	P3		L	M	D
ALP2BK1-D-6	4.5	6.4	230	250	270	4000	39.8	93.5	15
ALP2BK1-D-9	6.4	9.1	230	250	270	4000	41	96.5	15
ALP2BK1-D-13	9.6	13.7	220	240	260	4000	43.1	101.5	20
ALP2BK1-D-16	11.5	16.4	220	250	260	4000	47.5	104.5	20
ALP2BK1-D-20	14.1	20.1	210	220	240	4000	47.5	108.5	20
ALP2BK1-D-22	16.0	22.8	210	220	240	4000	47.5	111.5	20
ALP2BK1-D-30	21.1	30.1	180	190	210	3400	47.5	119.5	20
ALP2BK1-D-34	23.7	33.7	160	170	190	3000	55	123.5	20

**ALP2BK2**

规格 TYPE	displacement cm <sup>3</sup> /giro(cm <sup>3</sup> /rev)	在1500rpm时的流量 FLOW at 1500 rev/min Litrl/min (liter/min)	Rotation speed(r/min)			MAX SPEED Giri/min(rpm)	尺寸Dimensions(mm)		
			P1	P2	P3		L	M	D
ALP2BK2-D-6	4.5	6.4	230	250	270	4000	37	90.5	15
ALP2BK2-D-9	6.4	9.1	230	250	270	4000	38.2	93.5	15
ALP2BK2-D-13	9.6	13.7	220	240	260	4000	40.3	98.5	20
ALP2BK2-D-16	11.5	16.4	220	280	260	4000	44.7	101.5	20
ALP2BK2-D-20	14.1	20.1	210	220	240	4000	44.7	105.5	20
ALP2BK2-D-22	16.0	22.8	210	220	240	4000	44.7	108.5	20
ALP2BK2-D-30	21.1	30.1	180	190	210	3400	44.7	116.5	20
ALP2BK2-D-34	23.7	33.7	160	170	190	3000	52.2	120.5	20

**ALP2BK3**

规格 TYPE	displacement cm <sup>3</sup> /giro(cm <sup>3</sup> /rev)	在1500rpm时的流量 FLOW at 1500 rev/min Litrl/min (liter/min)	Rotation speed(r/min)			MAX SPEED Giri/min(rpm)	尺寸Dimensions(mm)		
			P1	P2	P3		L	M	D
ALP2BK3-D-6	4.5	6.4	230	250	270	4000	37	90.5	15
ALP2BK3-D-9	6.4	9.1	230	250	270	4000	38.2	93.5	15
ALP2BK3-D-13	9.6	13.7	220	240	260	4000	40.3	98.5	20
ALP2BK3-D-16	11.5	16.4	220	280	260	4000	44.7	101.5	20
ALP2BK3-D-20	14.1	20.1	210	220	240	4000	44.7	105.5	20
ALP2BK3-D-22	16.0	22.8	210	220	240	4000	44.7	108.5	20
ALP2BK3-D-30	21.1	30.1	180	190	210	3400	44.7	116.5	20
ALP2BK3-D-34	23.7	33.7	160	170	190	3000	52.2	120.5	20

**ALP2BK7**

规格 TYPE	displacement cm <sup>3</sup> /giro(cm <sup>3</sup> /rev)	在1500rpm时的流量 FLOW at 1500 rev/min Litrl/min (liter/min)	Rotation speed(r/min)			MAX SPEED Giri/min(rpm)	尺寸Dimensions(mm)		
			P1	P2	P3		L	M	D
ALP2BK7-D-6	4.5	6.4	230	250	270	4000	37	91	15
ALP2BK7-D-9	6.4	9.1	230	250	270	4000	38.2	94	15
ALP2BK7-D-13	9.6	13.7	220	240	260	4000	40.3	99	20
ALP2BK7-D-16	11.5	16.4	220	280	260	4000	44.7	102	20
ALP2BK7-D-20	14.1	20.1	210	220	240	4000	44.7	106	20
ALP2BK7-D-22	16.0	22.8	210	220	240	4000	44.7	109	20
ALP2BK7-D-30	21.1	30.1	180	190	210	3400	44.7	117	20
ALP2BK7-D-34	23.7	33.7	160	170	190	3000	52.2	121	20